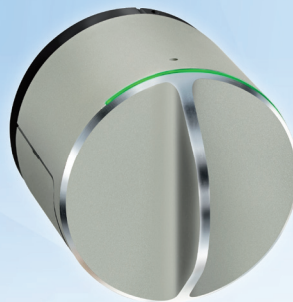
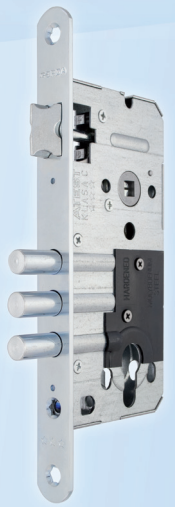


GERDA®



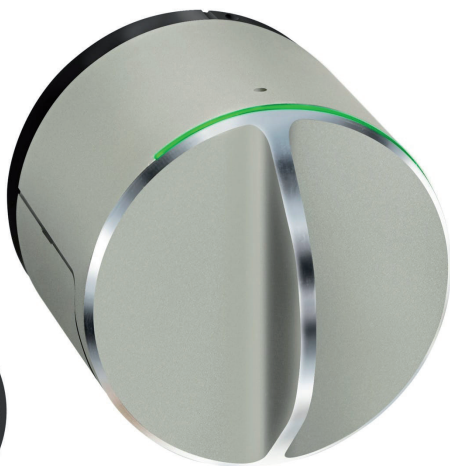
LOCKS

CYLINDERS

PADLOCKS

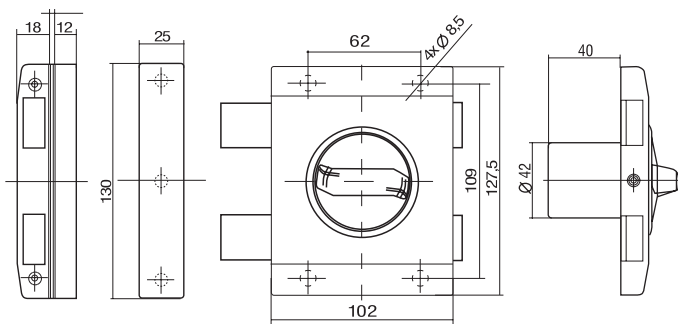
TABLE OF CONTENTS

SURFACE LOCKS	4 - 22
MORTISE LOCKS	23 - 27
PADLOCKS	28 - 47
MASTER KEY SYSTEMS	48
LOCK CYLINDERS	49 - 98
DOOR CLOSERS	99 - 104
ESCUTCHEONS	105 - 113
ELECTROMAGNETIC BOLTS	114 - 119
CO, SMOKE AND GAS DETECTORS	120 - 124
DOOR VIEWERS	125
GERDA LOCK	126 - 127



**MOBILE HOUSE AND APARTMENT
SECURITY SOLUTION GERDA® LOCK V3**

PRODUCT NAME



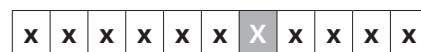
COLOUR



TECHNICAL PARAMETERS

• list of major features of the product

CERTIFICATES



Lock classification according to the PN-EN standard
Certificate issued by the Precision Mechanics Institute

X - Indicates the security class of the product:

- Locks - minimum 1, maximum 7
- Padlocks - minimum 1, maximum 6
- Lock cylinders - minimum 1, maximum 6
- Escutcheons - minimum 0, maximum 4



PICTOGRAM MEANINGS



GERDA CLASS (1 to 12) GERDA CLASS 12 is given to highest quality products

GERDA CLASS



Number of keys in the set



Door thickness



NCAGE 2766H certificate for GERDA Sp. z o.o. (NATO Commercial and Government Entity)



Certificate issued by the Precision Mechanics Institute in Warsaw



5 years of product warranty (terms of warranty available at www.gerda.pl)



Fire protection class



Specific-side product (left- or right-handed door)



Universal product (for use with both left- and right- handed doors)



Alarm siren



Smoke detector



Carbon monoxide detector



Gas detector



Powered by alternating current



Powered by direct current

TYTAN VARIANT – LOCK CODE RECOMBINATION SYSTEM

TYTAN VARIANT is a system that provides a simple and quick way of changing the code on the lock from a temporary to a permanent one. The system can be used when temporary access to an apartment or a secure zone is required. Locks from the TYTAN VARIANT group come with A, B and C key sets. Set A is used by the fitter or maintenance technician. Set B is the basic set, used to change the lock code from version A. Set C is a backup used if the B set is lost or stolen. Any key from B and C sets can be used to change the code on the lock.

To change the lock code using a key from set B or C, insert the key into the lock and rotate it fully once. The cylinder will be recoded automatically and the lock code will adapt to the B or C set key used.

Locks fitted with a VARIANT-type cylinder mechanism come with three key sets, each set includes:

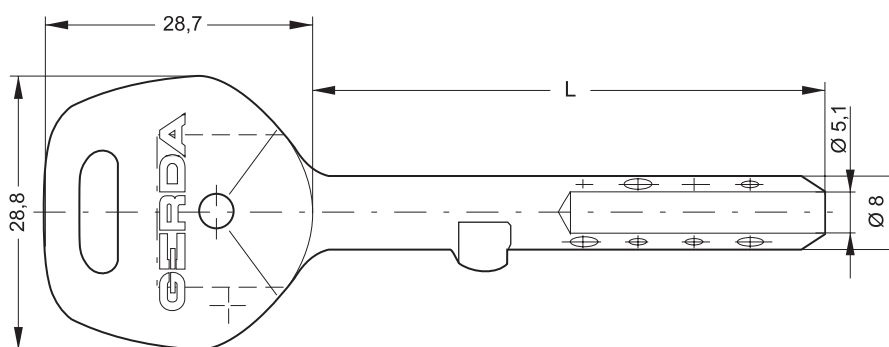
- set A – 4 keys,
- set B – 3 keys,
- set C – 2 keys.

If the basic number of keys in set B or C is not enough, a duplicate copy should be obtained in a licensed licensed locksmith.

ADJUSTING THE KEY TO THE THICKNESS OF THE DOOR

In order to choose the correct TYTAN-type lock for the thickness of your door, use the appropriate keys and escutcheons based on the below table:

SASH THICKNESS	KEY TYPE	ESCUTCHEON TYPE
53 mm	GT2 key (L = 48 mm)	flat, weather-resistant, reinforced
78 mm	GT8 key (L = 73 mm)	
100 mm	GT7 key (L = 95,5 mm)	
64 mm	GT2 key (L = 48 mm)	sunken
89 mm	GT8 key (L = 73 mm)	
111 mm	GT7 key (L = 95,5 mm)	



NON-STANDARD LOCKS CAN BE MADE TO ORDER:

- TYTAN locks with GT8 or GT7 keys
- TYTAN locks with additional keys
- TYTAN locks in a single-key system (standardized)
- TYTAN locks in one-key system
- TYTAN locks in the TYTAN VARIANT system

G 1000 PLUS LOCK

The G 1000 Plus lock is the perfect solution for those looking for the highest standard of security. The G 1000 Plus lock is fitted with a GTM1 tubular key. The GTM1 key is available only with a length of L=48mm.

The key cannot be used with GT2 keys (due to a different shaft diameter). GTM1 tubular keys for the G 1000 Plus lock can be copied only at Gerda HQ Poland. GM1 keys can be ordered solely via Business Partners and Licensed Key Copy Kiosks collaborating with GERDA.

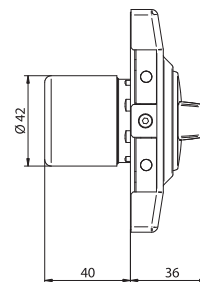
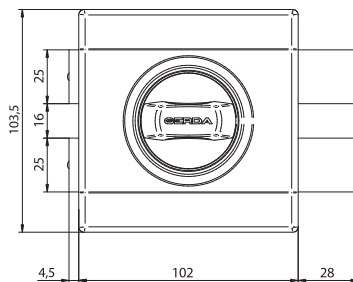
Orders for additional copies of GTM1 keys should be made via the GEOS system, while also sending a photo or scan of the Code Card by email to mk@gerda.pl.

GERDA extended manufacturer's warranty covers mechanical use and requires certain operating guidelines to be followed. Detailed information concerning the terms and requirements of extended warranty are available at www.gerda.pl.

As far as maintenance of our locks, cylinders and padlocks is concerned, we recommend the use of a special-purpose GERDA lubricant for precision-made products, products requiring additional protection from corrosion and appropriate lubrication to ensure long-term operation and keep internal mechanisms in full working order. The agent is available as an aerosol spray, can sizes: 25ml; 100ml and 400ml.

GERDA G 1000 PLUS

5*
LAT
GWARANCJI



COLOUR



TECHNICAL PARAMETERS

- highest security class – 7 acc. to the PN-EN 12209:2005 standard
- more than 4 billion key code combinations
- anti-burglary block
- a reinforced plate preventing the lock from being drilled through
- aluminium lock decorative cover available in 3 colours
- robust bolts, reinforced with tempered pins folded on end - spherical
- universal design for use both in left- and right-handed doors
- lock keep
- includes fixing components
- four GM1 keys (L=48mm) - for use with 53 mm doors
- can be delivered in one-key system
- can be delivered with the Master Key system

CERTIFICATES

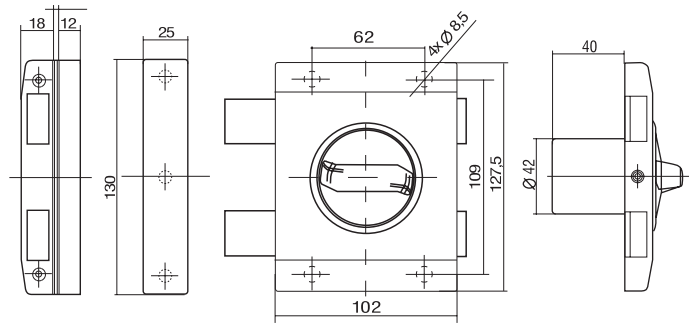
3 C 1 0 0 0 7 E A 0 H

Lock classification based on the PN-EN 12209:2005 standard.
Certificate issued by the Precision Mechanics Institute.



DESCRIPTION	EAN CODE	INDEX	NET	GROSS
GERDA TYTAN G1000 Plus universal lock, GM1 keys, satin nickel, box	590220319711 0	0ZALL0U009P.G2140P		
GERDA TYTAN G1000 Plus universal lock, GM1 keys, polished brass, box	590220319713 4	0ZALL0U009P.G8140P		
GERDA TYTAN G1000 Plus universal lock, GM1 keys, polished chrome, box	590220319715 8	0ZALL0U009P.G9140P		

GERDA TYTAN ZX PLUS



COLOUR



TECHNICAL PARAMETERS

- highest security class – 7 acc. to standard PN-EN 12209:2005
- more than 4 billion key code combinations
- can be ordered with the cylinder tumblers recombined
- aluminium decorative cover - wide range of available colours
- deadlocking knob (non-deadlocking available as an option)
- anti-burglary block
- lock keep in the same colour as the lock cover
- can be delivered in one-key system
- can be delivered with the Master Key system

Usage depending on key type:

- GT2 key (L = 48 mm)
 - for use with 53 mm doors
- * GT8 key (L = 73 mm)
 - for use with 78 mm doors
- * GT7 key (L = 95.5 mm)
 - for use with 100 mm doors

CERTIFICATES

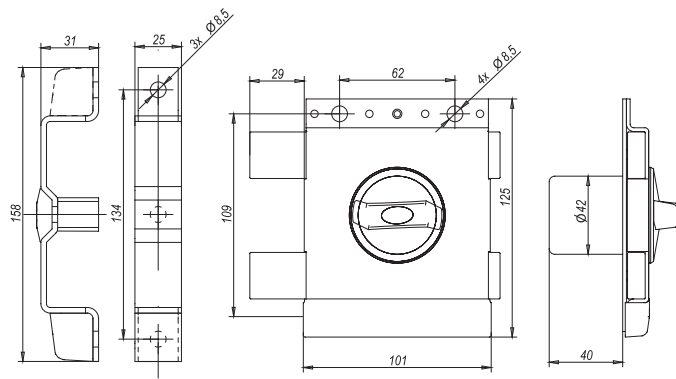


Lock classification based on the PN-EN 12209:2005 standard.
Certificate issued by the Precision Mechanics Institute.



DESCRIPTION	EAN CODE	INDEX	NET	GROSS
GERDA TYTAN ZX Plus left-hand lock, fixing components, anodised platinum, box	590337300590 8	0ZXP00L0000.40240P		
GERDA TYTAN ZX Plus right-hand lock, fixing components, anodised platinum, box	590337300721 6	0ZXP00P0000.40240P		
GERDA TYTAN ZX Plus left-hand lock, fixing components, anodised olive, box	590337300925 8	0ZXP00L0000.42240P		
GERDA TYTAN ZX Plus left-hand lock, fixing components, anodised gold, box	590337300591 5	0ZXP00L0000.44240P		
GERDA TYTAN ZX Plus right-hand lock, fixing components, anodised gold, box	590337300720 9	0ZXP00P0000.44240P		
GERDA TYTAN ZX Plus left-hand lock, fixing components, black satin, box	590220317939 0	0ZXP00L0000.45240P		
GERDA TYTAN ZX Plus left-hand lock, fixing components, polished chrome, box	590337300926 5	0ZXP00L0000.99240P		

GERDA TYTAN ZX



COLOUR



TECHNICAL PARAMETERS

- highest security class – 7 acc. to standard PN-EN 12209:2005
- more than 4 billion key code combinations
- can be ordered with the cylinder tumblers recombined
- anti-burglary block
- deadlocking knob (non-deadlocking available as an option)
- regular bracket included (p. 19)
- easy installation on rabbeted and rabbetless doors
- can be delivered in one-key system
- can be delivered with the Master Key system

Usage depending on key type:

- GT2 key (L = 48 mm)
 - for use with 53 mm doors
- * GT8 key (L = 73 mm)
 - for use with 78 mm doors
- * GT7 key (L = 95.5 mm)
 - for use with 100 mm doors

CERTIFICATES



Lock classification based on the PN-EN 12209:2005 standard.

Certificate issued by the Precision Mechanics Institute.

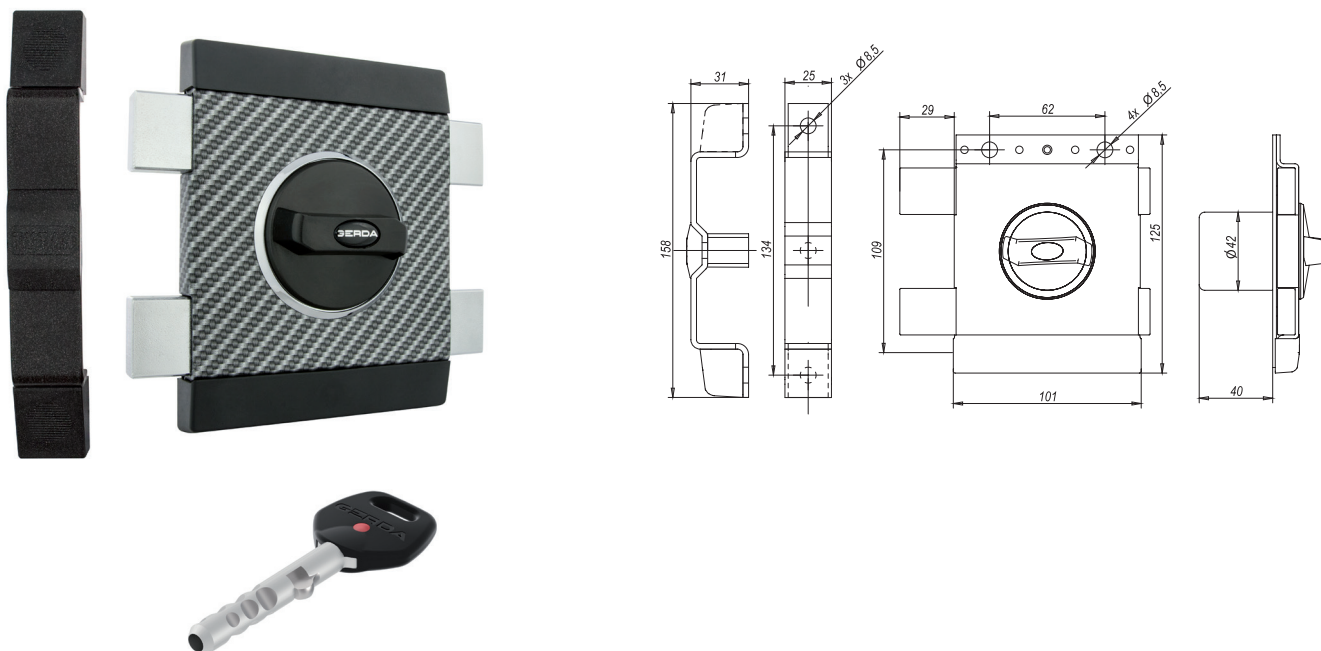


DESCRIPTION	EAN CODE	INDEX	NET	GROSS
GERDA TYTAN ZX left-hand lock, GT8 keys, white, box	590220317400 5	0ZX0X0L0000.0184AP		
GERDA TYTAN ZX left-hand lock, GT8 keys, structural bronze, box	590672664083 2	0ZX0X0L0000.1784AP		
GERDA TYTAN ZX left-hand lock, GT8 keys, graphite, box	590220317402 9	0ZX0X0L0000.0584AP		
GERDA TYTAN ZX left-hand lock, white, box	590220317383 1	0ZX0X0L0000.0124AP		
GERDA TYTAN ZX left-hand lock, structural bronze, box	590672664080 1	0ZX0X0L0000.1724AP		
GERDA TYTAN ZX left-hand lock, graphite, box	590220317385 5	0ZX0X0L0000.0524AP		
GERDA TYTAN ZX left-hand lock, black, box	590220317386 2	0ZX0X0L0000.0624AP		
GERDA TYTAN ZX left-hand lock, sunny gold, box	590140751282 8	0ZX0X0L0000.0724AP		
GERDA TYTAN ZX left-hand lock, tall bracket, sunny gold, box	590220317393 0	0ZX0X0L000A.0724AP		
GERDA TYTAN ZX left-hand lock, antique silver, box	590140751284 2	0ZX0X0L0000.0824AP		
GERDA TYTAN ZX left-hand lock, tall bracket, antique silver, box	590220317395 4	0ZX0X0L000A.0824AP		
GERDA TYTAN ZX right-hand lock, white, box	590220317795 2	0ZX0X0P0000.0124AP		
GERDA TYTAN ZX right-hand lock, structural bronze, box	590672664081 8	0ZX0X0P0000.1724AP		
GERDA TYTAN ZX right-hand lock, GT8 keys, structural bronze, box	590220317490 6	0ZX0X0P0000.1784AP		
GERDA TYTAN ZX right-hand lock, graphite, box	590220317412 8	0ZX0X0P0000.0524AP		
GERDA TYTAN ZX right-hand lock, black, box	590220317413 5	0ZX0X0P0000.0624AP		
GERDA TYTAN ZX left-hand lock, no bolt bracket, white, box	590220330132 6	0ZX0X0L000T.0124AP		

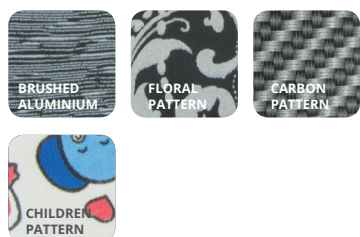
GERDA TYTAN ZX

DESCRIPTION	EAN CODE	INDEX	NET	GROSS
GERDA TYTAN ZX left-hand lock, no bolt bracket, graphite, box	590220317798 3	0ZX0X0L000T.0524AP		
GERDA TYTAN ZX left-hand lock, no bolt bracket, structural bronze, box	590220317802 7	0ZX0X0L000T.1724AP		
GERDA TYTAN ZX right-hand lock, no bolt bracket, white, box	590220330134 0	0ZX0X0P000T.0124AP		
GERDA TYTAN ZX right-hand lock, no bolt bracket, graphite, box	590220317800 3	0ZX0X0P000T.0524AP		
GERDA TYTAN ZX right-hand lock, no bolt bracket, structural bronze, box	590220317804 1	0ZX0X0P000T.1724AP		
GERDA TYTAN ZX left-hand lock, with the bolt extended by 30mm (L=165mm), bolt bracket from ZX PLUS, GT8 keys, graphite, box	590140751326 9	0ZX0X0L000C.0584AP		
GERDA TYTAN ZX left-hand lock, with the bolt extended by 30mm (L=165mm), bolt bracket from ZX PLUS, GT8 keys, structural bronze, box	590140751328 3	0ZX0X0L000C.1784AP		
GERDA TYTAN ZX right-hand lock, with the bolt extended by 30mm (L=165mm), bolt bracket from ZX PLUS, GT8 keys, graphite, box	590140751330 6	0ZX0X0P000C.0584AP		
GERDA TYTAN ZX right-hand lock, with the bolt extended by 30mm (L=165mm), bolt bracket from ZX PLUS, GT8 keys, structural bronze, box	590140751332 0	0ZX0X0P000C.1784AP		
GERDA TYTAN ZX right-hand lock, GT8 keys, graphite, box	590220317488 3	0ZX0X0P0000.0584AP		
GERDA TYTAN ZX right-hand lock, GT8 keys, white, box	590220330308 5	0ZX0X0P0000.0184AP		

GERDA TYTAN ZX AQUA PRINT



COLOUR



TECHNICAL PARAMETERS

- highest security class – 7 acc. to standard PN-EN 12209:2005
- more than 4 billion key code combinations
- can be ordered with the cylinder tumblers recombined
- aluminium decorative cover - wide range of available colours
- deadlocking knob (non-deadlocking available as an option)
- anti-burglary block
- regular bracket included (p . 19)
- easy installation on rabbeted and rabbetless doors
- can be delivered in one-key system
- can be delivered with the Master Key system

Usage depending on key type:

- GT2 key (L = 48 mm)
 - for use with 53 mm doors
- * GT8 key (L = 73 mm)
 - for use with 78 mm doors
- * GT7 key (L = 95 . 5 mm)
 - for use with 100 mm doors

CERTIFICATES



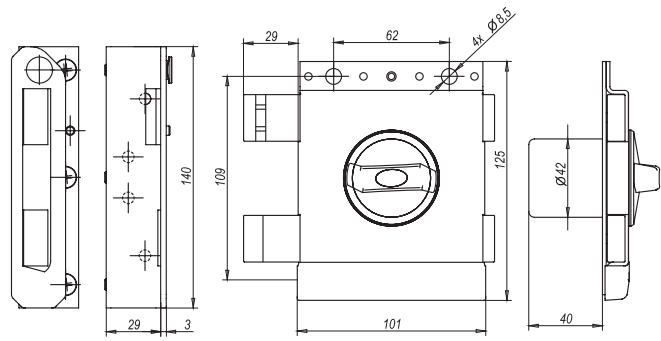
Lock classification based on the PN-EN 12209:2005 standard.

Certificate issued by the Precision Mechanics Institute.



DESCRIPTION	EAN CODE	INDEX	NET	GROSS
GERDA TYTAN ZX AQUA Print left-hand lock, brushed aluminium, box	590220319761 5	0ZX0X0L0000.Q124AP		
GERDA TYTAN ZX AQUA Print left-hand lock, floral pattern, box	590220319765 3	0ZX0X0L0000.Q224AP		
GERDA TYTAN ZX AQUA Print left-hand lock, carbon pattern, box	590220319769 1	0ZX0X0L0000.Q324AP		
GERDA TYTAN ZX AQUA Print left-hand lock, kids pattern, box	590220319773 8	0ZX0X0L0000.Q424AP		

GERDA TYTAN ZXZ



COLOUR



TECHNICAL PARAMETERS

- highest security class – 7 acc. to standard PN-EN 12209:2005
- more than 4 billion key code combinations
- can be ordered with the cylinder tumblers recombined
- anti-burglary block
- lock keep with a door chain included
- fixing components included
- easy installation on rabbeted and rabbetless doors
- can be delivered in one-key system
- can be delivered with the Master Key system

Usage depending on key type:

- GT2 key (L = 48 mm)
 - for use with 53 mm doors
- * GT8 key (L = 73 mm)
 - for use with 78 mm doors
- * GT7 key (L = 95,5 mm)
 - for use with 100 mm doors

CERTIFICATES

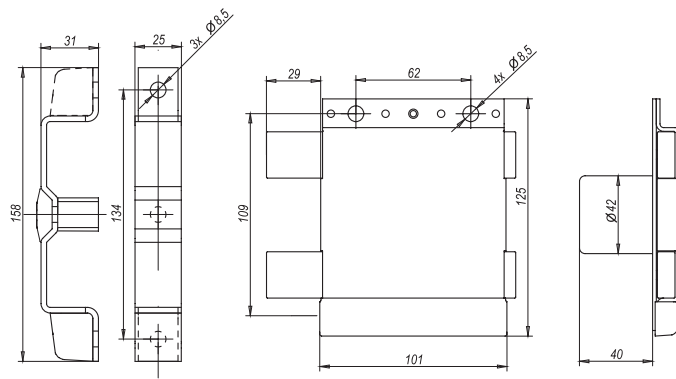


Lock classification based on the PN-EN 12209:2005 standard
Certificate issued by the Precision Mechanics Institute



DESCRIPTION	EAN CODE	INDEX	NET	GROSS
GERDA TYTAN ZXZ lock with chain, left, fixing components, structural bronze, box	590672664084 9	0ZX0Z0L0000.1724AP		
GERDA TYTAN ZXZ lock with chain, right, fixing components, structural bronze, box	590672664085 6	0ZX0Z0P0000.1724AP		
GERDA TYTAN ZXZ lock with chain, left, fixing components, graphite, box	590220317464 7	0ZX0Z0L0000.0524AP		
GERDA TYTAN ZXZ lock with chain, right, fixing components, graphite, box	590220317466 1	0ZX0Z0P0000.0524AP		

GERDA TYTAN Z2



COLOUR



Tytan Z2 is an excellent solution where access control must be ensured preventing the opening of the room from the inside (warehouses, rooms where property of significant value is stored).

TECHNICAL PARAMETERS

- security class - 3 acc. to standard PN-EN 12209:2005
- more than 4 billion key code combinations
- can be ordered with the cylinder tumblers recombined
- anti-burglary block
- regular bracket included (p. 19)
- easy installation on rabbeted and rabbetless doors
- can be delivered in one-key system
- can be delivered with the Master Key system

Usage depending on key type:

- GT2 key (L = 48 mm)
 - for use with 53 mm doors
- * GT8 key (L = 73 mm)
 - for use with 78 mm doors
- * GT7 key (L = 95,5 mm)
 - for use with 100 mm doors

CERTIFICATES



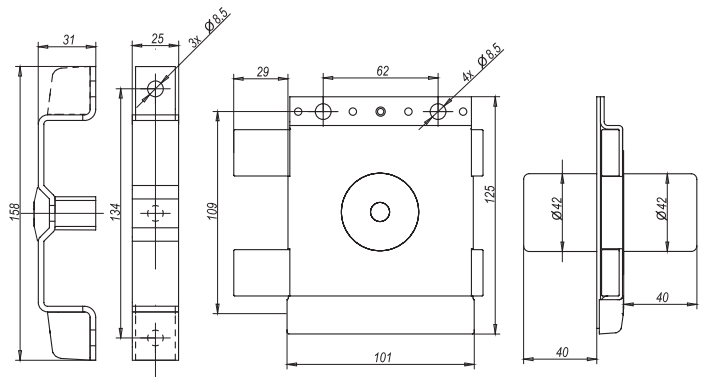
Lock classification based on the PN-EN 12209:2005 standard

Certificate issued by the Precision Mechanics Institute



DESCRIPTION	EAN CODE	INDEX	NET	GROSS
GERDA TYTAN Z2 left-hand lock, bronze, box	590337300384 3	0Z20X0L0000.03240P		
GERDA TYTAN Z2 left-hand lock, graphite, box	590337300278 5	0Z20X0L0000.05240P		

GERDA TYTAN ZK



COLOUR



Tytan ZK - dual cylinder lock, an excellent solution where access control must ensure the ability to open pass doors between rooms (grates, room connectors, tool rooms).

TECHNICAL PARAMETERS

- highest security class – 7 acc. to standard PN-EN 12209:2005
- more than 4 billion key code combinations
- can be ordered with the cylinder tumblers recombined
- anti-burglary block
- regular bracket included (p. 19)
- easy installation on rabbeted and rabbetless doors
- can be delivered in one-key system
- can be delivered with the Master Key system

Usage depending on key type:

- GT2 key (L = 48 mm)
 - for use with 53 mm doors
- * GT8 key (L = 73 mm)
 - for use with 78 mm doors
- * GT7 key (L = 95,5 mm)
 - for use with 100 mm doors

CERTIFICATES

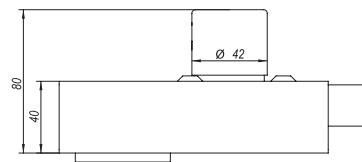
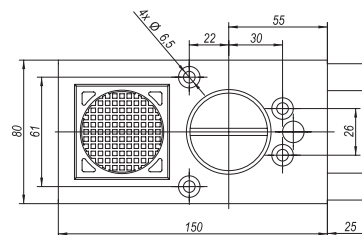


Lock classification based on the PN-EN 12209:2005 standard
Certificate issued by the Precision Mechanics Institute



DESCRIPTION	EAN CODE	INDEX	NET	GROSS
GERDA TYTAN ZK left-hand lock, bronze, 6 keys, box	590337300386 7	OZK0X0L0000.03240P		
GERDA TYTAN ZK left-hand lock, graphite, 6 keys, box	590337300279 2	OZK0X0L0000.05240P		

GERDA TYTAN ZE-1 (Z*)



COLOUR



The ZE-1 lock is equipped with an electronic alarm system, can be integrated with alarm systems and intelligent house security systems. Any attempt to force the door will immediately activate a sound alarm heard across the surrounding area.

TECHNICAL PARAMETERS

- security class - 3 acc. to standard PN-EN 12209:2005
- more than 4 billion key code combinations
- can be ordered with the cylinder tumblers recombined
- alarm system coupled with the bolts
- a loud, 110-dB alarm sound when subjected to a pressure exceeding 50 kg
- can be integrated with an existing alarm system
- anti-burglary block
- regular bracket included
- easy installation on rabbeted and rabbetless doors
- can be delivered in one-key system
- can be delivered with the Master Key system

Usage depending on key type:

- GT2 key (L = 48 mm) - for use with 53 mm doors
- ** GT8 key (L = 73 mm) - for use with 78 mm doors
- ** GT7 key (L = 95,5 mm) - for use with 100 mm doors

CERTIFICATES

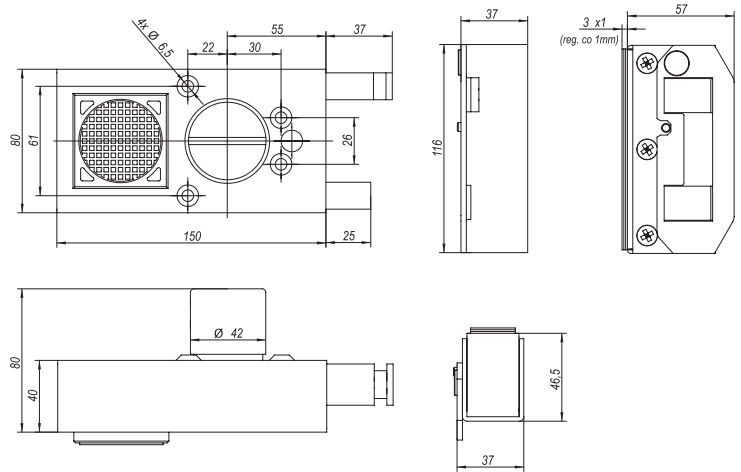


Lock classification based on the PN-EN 12209:2005 standard
Certificate issued by the Precision Mechanics Institute



DESCRIPTION	EAN CODE	INDEX	NET	GROSS
GERDA TYTAN ZE1 external lock, left, white, box	590337300517 5	0ZE100N0000.01240P		
GERDA TYTAN ZE1 external lock, right, white, box	590337300518 2	0ZE100R0000.01240P		
GERDA TYTAN ZE1 external lock, left, bronze, box	590337300475 8	0ZE100N0000.03240P		
GERDA TYTAN ZE1 external lock, right, bronze, box	590337300477 2	0ZE100R0000.03240P		
GERDA TYTAN ZE1 external lock, left, graphite, box	590337300476 5	0ZE100N0000.05240P		
GERDA TYTAN ZE1 external lock, right, graphite, box	590337300478 9	0ZE100R0000.05240P		

GERDA TYTAN ZE-1 (W*)



COLOUR



The ZE-1 lock is fitted with an electronic alarm system and a rigid chain, making it possible to open the door slightly without risking that any unauthorised person will be able to enter. The lock can be integrated with alarm systems and intelligent house security systems. Any attempt to force the door will immediately activate a sound alert heard across the surrounding area.



110 dB



GERDA CLASS

TECHNICAL PARAMETERS

- highest security class - 7 acc. to standard PN-EN 12209:2005
- more than 4 billion key code combinations
- can be ordered with the cylinder tumblers recombined
- alarm system coupled with the bolts
- a loud, 110-dB alarm sound when subjected to a pressure exceeding 50 kg
- anti-burglary block
- lock keep included
- easy installation on rabbeted and rabbetless doors
- can be delivered in one-key system
- can be delivered with the Master Key system

Usage depending on key type:

- GT2 key (L = 48 mm)
 - for use with 53 mm doors
- ** GT8 key (L = 73 mm)
 - for use with 78 mm doors
- ** GT7 key (L = 95,5 mm)
 - for use with 100 mm doors

CERTIFICATES



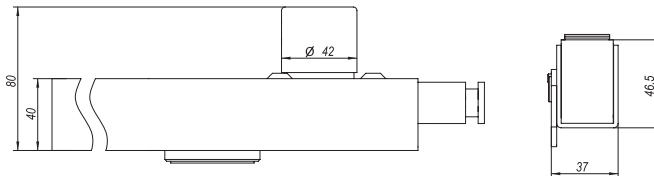
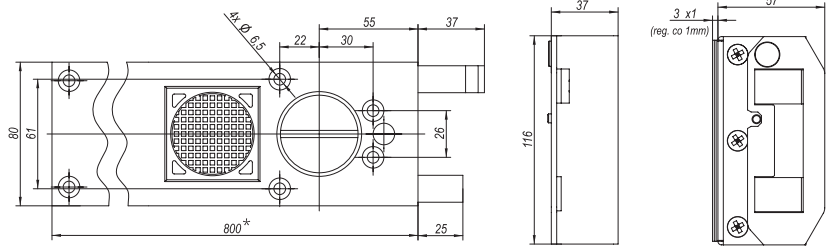
Lock classification based on the PN-EN 12209:2005 standard

Certificate issued by the Precision Mechanics Institute



DESCRIPTION	EAN CODE	INDEX	NET	GROSS
GERDA TYTAN ZE1 internal lock, left, white, box	590337300515 1	OZE100L0000.01240P		
GERDA TYTAN ZE1 internal lock, right, white, box	590337300516 8	OZE100P0000.01240P		
GERDA TYTAN ZE1 internal lock, left, bronze, box	590337300016 3	OZE100L0000.03240P		
GERDA TYTAN ZE1 internal lock, right, bronze, box	590337300018 7	OZE100P0000.03240P		
GERDA TYTAN ZE1 internal lock, left, graphite, box	590337300017 0	OZE100L0000.05240P		
GERDA TYTAN ZE1 internal lock, right, graphite, box	590337300019 4	OZE100P0000.05240P		

GERDA TYTAN ZE-2



COLOUR



The ZE-2 lock is fitted with an electronic alarm system and a rigid chain, making it possible to open the door slightly without risking that any unauthorised person will be able to enter. The lock can be integrated with alarm systems and intelligent house security systems. Any attempt to force the door will immediately activate a sound alert heard across the surrounding area.

TECHNICAL PARAMETERS

- highest security class - 7 acc. to standard PN-EN 12209:2005
- more than 4 billion key code combinations
- can be ordered with the cylinder tumblers recombined
- alarm system coupled with the bolts
- a loud, 110-dB alarm sound when subjected to a pressure exceeding 50 kg
- anti-burglary block
- lock keep included
- easy installation on rabbeted and rabbetless doors
- width for 800 mm doors
- can be delivered in one-key system
- can be delivered with the Master Key system

Usage depending on key type:

- GT2 key (L = 48 mm)
 - for use with 53 mm doors
- ** GT8 key (L = 73 mm)
 - for use with 78 mm doors
- ** GT7 key (L = 95,5 mm)
 - for use with 100 mm doors

CERTIFICATES



Lock classification based on the PN-EN 12209:2005 standard

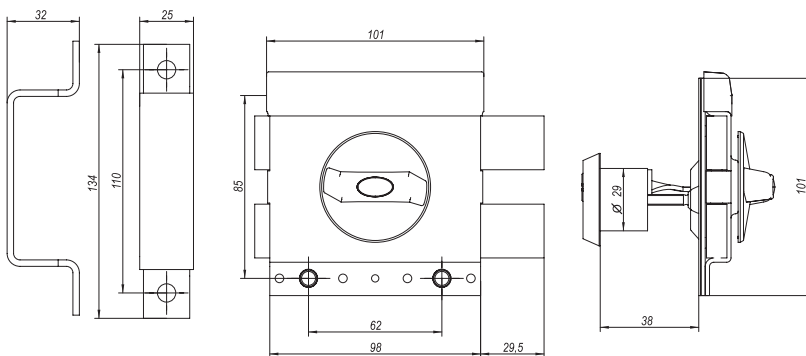
Certificate issued by the Precision Mechanics Institute



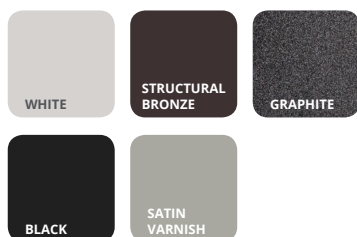
DESCRIPTION	EAN CODE	INDEX	NET	GROSS
GERDA TYTAN ZE2 internal lock, left, bronze, box	590337300020 0	0ZE200L0000.03240P		
GERDA TYTAN ZE2 internal lock, right, bronze, box	590337300021 7	0ZE200P0000.03240P		



GERDA ZX 1000



COLOUR



TECHNICAL PARAMETERS

- highest security class - 7 acc. to standard PN-EN 12209:2005
- can be ordered with the key code recombined
- equipped with a RIM PRO SYSTEM cylinder with the highest security class - 6 acc. to standard. PN-EN 1303:2015
- usable with 38mm to 68mm thick doors
- a reinforced plate preventing the lock from being drilled through
- durable casing
- thick steel bolts
- easy installation
- universal design for left- and right-handed doors
- regular bracket included
- can be delivered in one-key system
- can be delivered with the Master Key system

CERTIFICATES

3 C 1 0 0 0 7 E A 0 H

Lock classification based on the PN-EN 12209:2005 standard

Certificate issued by the Precision Mechanics Institute



DESCRIPTION	EAN CODE	INDEX	NET	GROSS
GERDA ZX 1000 universal lock, white, box	590220317621 4	0ZX100U0000.0135AP		
GERDA ZX 1000 universal lock, structural bronze, box	590220317571 2	0ZX100U0000.1735AP		
GERDA ZX 1000 universal lock, graphite, box	590220317572 9	0ZX100U0000.0535AP		
GERDA ZX 1000 universal lock, black, box	590220317573 6	0ZX100U0000.0635AP		
GERDA ZX 1000 universal lock, satin varnish, box	590220317574 3	0ZX100U0000.1235AP		

ACCESSORIES



Weather-resistant escutcheon



Flat escutcheon for ZX locks



Concave escutcheon for ZX locks



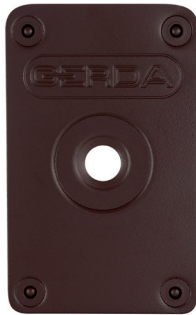
Convex escutcheon for ZX Plus locks, colour: anodised platinum*



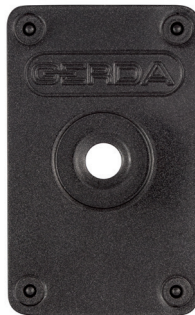
Convex escutcheon for ZX Plus locks, colour: anodised gold*



Reinforced escutcheon



Reinforced escutcheon



Reinforced escutcheon



Flat escutcheon for ZE locks



Concave escutcheon for ZE locks

DESCRIPTION	EAN CODE	INDEX	NET	GROSS
Weather-resistant escutcheon for TYTAN ZX locks, plastic bag	590337300267 9	0BTX0G00000.99000X		
Reinforced escutcheon for TYTAN ZX locks, white, plastic bag	590337300132 0	0BTX0M00000.01000X		
Reinforced escutcheon for TYTAN ZX locks, bronze, plastic bag	590337300134 4	0BTX0M00000.03000X		
Reinforced escutcheon for TYTAN ZX locks, graphite, plastic bag	590337300133 7	0BTX0M00000.05000X		
Reinforced escutcheon for TYTAN ZX locks, structural bronze, plastic bag	590220330875 2	0BTX0M00000.17000X		
Convex escutcheon for TYTAN ZX Plus locks, anodised platinum, plastic bag **	590337300898 5	0BTXPL00000.46000X		
Convex escutcheon for TYTAN ZX Plus locks, anodised gold, plastic bag	590220330877 6	0BTXPL00000.43000X		
Convex escutcheon for TYTAN ZX Plus locks, anodised silver, plastic bag **	590220330911 7	0BTXPL00000.41000X		
Convex escutcheon for TYTAN ZX Plus locks, anodised olive, plastic bag	590220319805 6	0BTXPL00000.42000X		
Concave escutcheon for TYTAN ZX locks, polished chrome, plastic bag	590337300037 8	1204003.00000.99.00		
Concave escutcheon for TYTAN ZX locks, black, plastic bag **	590337300039 2	1204003.00000.06.00		
Flat escutcheon for TYTAN ZE locks, black, plastic bag	590337300890 9	1204007.00000.06.00		
Concave escutcheon for TYTAN ZE locks, black, plastic bag	590337300036 1	1204009.00000.06.00		
Flat escutcheon for TYTAN ZX locks, stainless steel, plastic bag	590337300891 6	1204012.00000.00.00		



Screw-in fixing components for ZX locks



Open fixing components for ZX locks



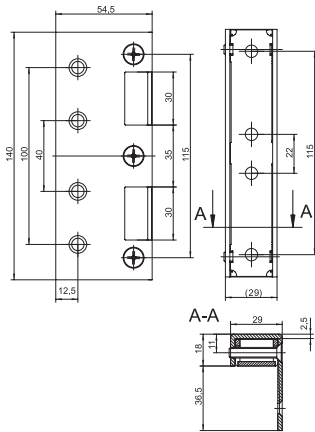
Lock maintenance products

DESCRIPTION	EAN CODE	INDEX	NET	GROSS
Blind fixings for TYTAN ZX locks, Z2, ZK, plastic bag	590337300043 9	1206001.00000.00.01		
Open fixings for TYTAN ZX locks, Z2, ZK, plastic bag	590337300042 2	1206002.00000.00.01		
Lock and cylinder maintenance product, volume 25µl, aerosol	590762005021 5	24.66-0002.0015		
Lock and cylinder maintenance product, volume 100µl, aerosol	590762005019 2	24.66-0002.0026		
Lock and cylinder maintenance product, volume 400µl, aerosol	590762005020 8	24.66-0002.0027		

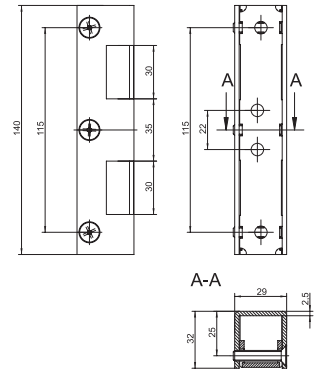
ACCESSORIES



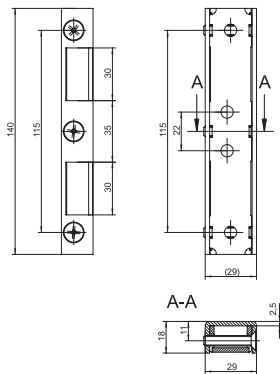
Reinforced low bracket for ZX locks



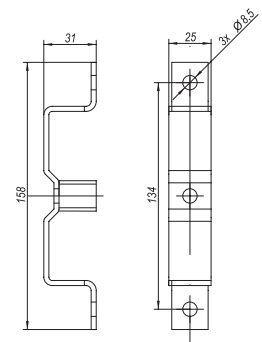
Tall bracket for ZX locks



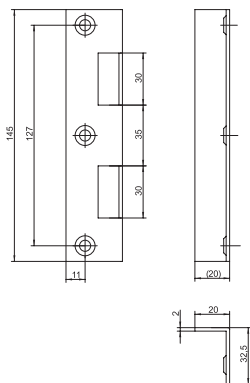
Low bracket for ZX locks



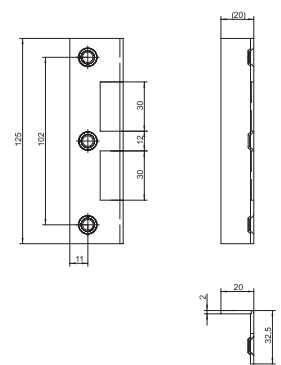
Regular bracket for ZX locks



Angled bracket for ZX locks



Angled bracket for ZX 1000 locks



DESCRIPTION	EAN CODE	INDEX	NET	GROSS
Low reinforced bracket for TYTAN ZX locks, black, plastic bag	590337300026 2	0BBX0M00000.06000X		
Low bracket for TYTAN ZX locks, black, plastic bag	590337300028 6	0BBX0N00000.06000X		
Tall bracket for TYTAN ZX locks, black, plastic bag	590337300029 3	0BBX0W00000.06000X		
Regular bracket for TYTAN ZX locks, black, plastic bag	590337300030 9	1205001.00000.06.00		
Angled bracket for TYTAN ZX locks, black, plastic bag	590337300027 9	1205005.00000.06.00		
Angled bracket for TYTAN ZX 1000 locks, black, plastic bag	590337300893 0	1205022.00000.06.00		

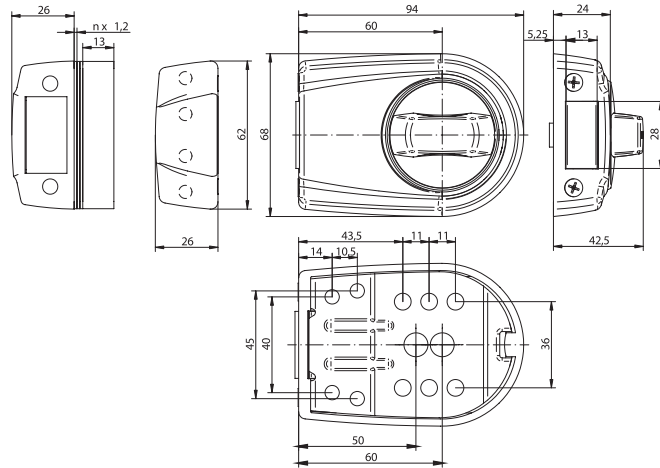
GERDA ZG 100 / ZG 200



ZG 100 lock key



ZG 200 lock key



COLOUR



ZG 100



ZG 200



TECHNICAL PARAMETERS

- security class - 2 acc. to standard PN-EN 12209:2005
- equipped with the following cylinders:
 - RIM E1 - ZG 100
 - RIM H Plus - ZG 200
- supreme durability - more than 200 000 cycles
- usable on doors 38 mm to 68 mm thick
- high resistance to corrosion
- easy installation
- can be installed 50 mm or 60 mm away from the door sash edge
- washers to go under the bracket to enable installation on doors with varied thickness
- set includes: lock, lock keep, washers

CERTIFICATES

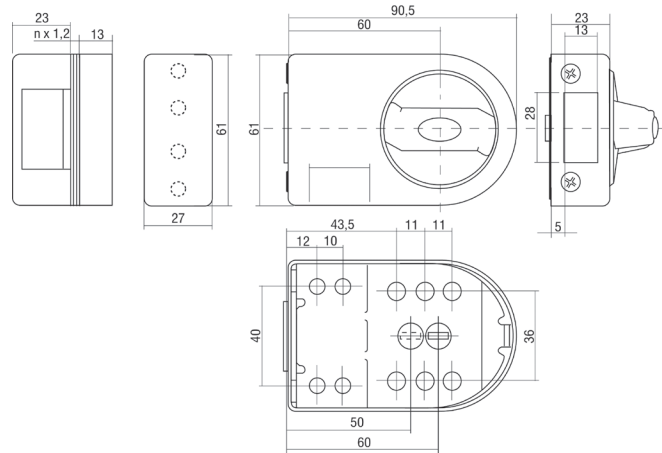


Lock classification based on the PN-EN 12209:2005 standard
Certificate issued by the Precision Mechanics Institute

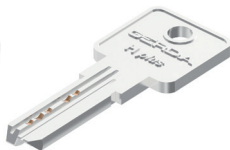


DESCRIPTION	EAN CODE	INDEX	NET	GROSS
GERDA ZG 100 universal lock, white, box	590220317394 7	OZG100U0000.01E30P		
GERDA ZG 100 universal lock, structural bronze, box	590220317401 2	OZG100U0000.17E30P		
GERDA ZG 100 universal lock, graphite, box	590220317404 3	OZG100U0000.05E30P		
GERDA ZG 100 universal lock, satin varnish, box	590220317403 6	OZG100U0000.12E30P		
GERDA ZG 100 universal lock, antique brass, box	590220317471 5	OZG100U0000.76E30P		
GERDA ZG 100 universal lock, pearl nickel, box	590220317384 8	OZG100U0000.96E30P		
GERDA ZG 100 universal lock, polished chrome, box	590220317390 9	OZG100U0000.99E30P		
GERDA ZG 200 universal lock, white, box	590220317409 8	OZG200U0000.01M40P		
GERDA ZG 200 universal lock, structural bronze, box	590220317410 4	OZG200U0000.17M40P		
GERDA ZG 200 universal lock, graphite, box	590220317414 2	OZG200U0000.05M40P		
GERDA ZG 200 universal lock, satin varnish, box	590220317411 1	OZG200U0000.12M40P		
GERDA ZG 200 universal lock, antique brass, box	590220317424 1	OZG200U0000.76M40P		
GERDA ZG 200 universal lock, pearl nickel, box	590220317415 9	OZG200U0000.96M40P		
GERDA ZG 200 universal lock, polished chrome, box	590220317417 3	OZG200U0000.99M40P		

GERDA ZN 100 / ZN 200



ZN 100 lock key



ZN 200 lock key

COLOUR



TECHNICAL PARAMETERS

- security class - 2 acc. to standard PN-EN 12209:2005
- equipped with the following cylinders:
 - RIM E1 - ZN 100
 - RIM H Plus - ZN 200
- supreme durability - more than 200 000 cycles
- usable on doors 38 mm to 68 mm thick
- can be installed 50 mm or 60 mm away from the door sash edge
- high resistance to corrosion
- easy installation
- washers to go under the bracket to enable installation on doors of various thicknesses
- set includes: lock, lock keep, washers

CERTIFICATES



Lock classification based on the PN-EN 12209:2005 standard
Certificate issued by the Precision Mechanics Institute



ZG 100

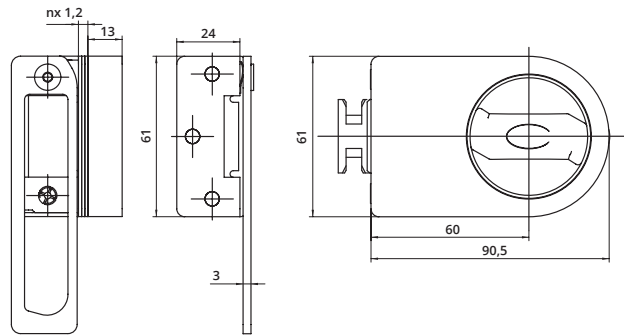
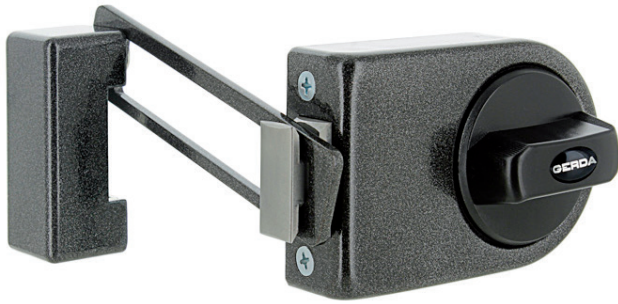


ZG 200



DESCRIPTION	EAN CODE	INDEX	NET	GROSS
GERDA ZN 100 universal lock, white, box	590220317438 8	0ZN100U0000.01E30P		
GERDA ZN 100 universal lock, structural bronze, box	590220317439 5	0ZN100U0000.17E30P		
GERDA ZN 100 universal lock, graphite, box	590337300061 3	0ZN100U0000.05E30P		
GERDA ZN 100 universal lock, satin varnish, box	590337300774 2	0ZN100U0000.12E30P		
GERDA ZN 200 universal lock, white, box	590337301156 5	0ZN200U0000.01M40P		
GERDA ZN 200 universal lock, structural bronze, box	590337301157 2	0ZN200U0000.17M40P		
GERDA ZN 200 universal lock, graphite, box	590337300520 5	0ZN200U0000.05M40P		
GERDA ZN 200 universal lock, satin varnish, box	590337300778 0	0ZN200U0000.12M40P		

GERDA ZN 200Z



COLOUR



TECHNICAL PARAMETERS

- security class - 2 acc. to standard PN-EN 12209:2005
- equipped with the following cylinders:
 - RIM H Plus - ZN 200Z
- supreme durability - more than 200 000 cycles
- usable on doors 38 mm to 68 mm thick
- can be installed 50 mm or 60 mm away from the door sash edge
- high resistance to corrosion
- easy installation
- intended for use on internal doors
- washers to go under the bracket to enable installation on doors with varied thickness
- set includes: lock, lock keep with a door chain, washers

CERTIFICATES

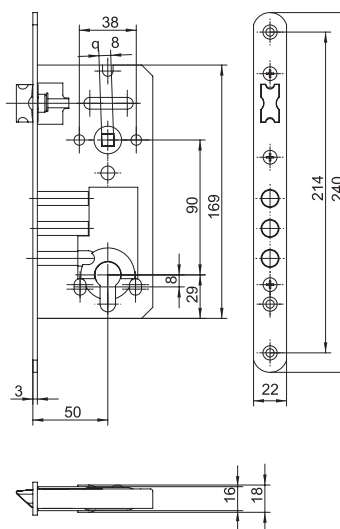


Lock classification based on the PN-EN 12209:2005 standard
Certificate issued by the Precision Mechanics Institute

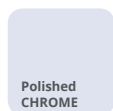


DESCRIPTION	EAN CODE	INDEX	NET	GROSS
GERDA ZN 200Z universal lock, internal, with a door chain, structural bronze, box	590337301161 9	OZN2Z0U0000.17M40P		
GERDA ZN 200Z universal lock, internal, with a door chain, graphite, box	590337300714 8	OZN2Z0U0000.05M40P		
GERDA ZN 200Z universal lock, internal, with a door chain, satin varnish, box	590337300780 3	OZN2Z0U0000.12M40P		

GERDA ZW 1000



COLOUR



TECHNICAL PARAMETERS

- highest security class - 7 acc. to standard PN-EN 12209:2005
- compatible with all profiled lock cylinders available on the market
- supreme durability - more than 200 000 cycles
- drill-resistant - reinforced cover
- three thick steel bolts
- universal - easy to change the lock direction
- spacing 90 / 50 mm
- screw-on face plate
- flat or angular bracket available

CERTIFICATES

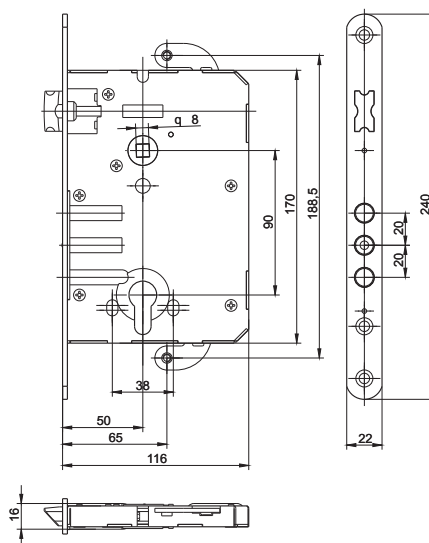
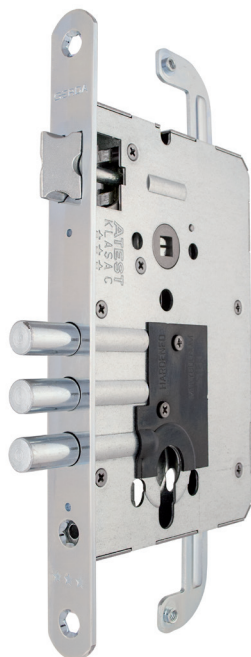


Lock classification based on the PN-EN 12209:2005 standard
Certificate issued by the Precision Mechanics Institute



DESCRIPTION	EAN CODE	INDEX	NET	GROSS
ZW1000M 90/50 universal lock, polished chrome, box	590140751399 3	0ZW1H0W9050.9900AP		

GERDA ZW 3000



COLOUR



TECHNICAL PARAMETERS

- highest security class – 7 acc. to standard PN-EN 12209:2005
- drill-resistant - reinforced cover
- supreme durability - more than 200 000 cycles
- three thick steel bolts
- universal - easy to change the lock direction
- spacing 90 / 50 mm
- riveted front plate
- additional driven bolting components
- flat or angled bracket available
- cylinder drive:
 - pinion (ZW3000Z)
 - jaw coupling (ZW3000)

CERTIFICATES

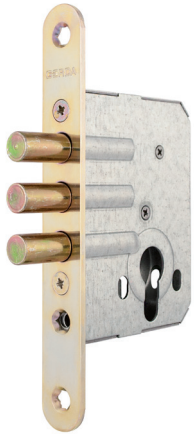


Lock classification based on the PN-EN 12209:2005 standard
Certificate issued by the Precision Mechanics Institute



DESCRIPTION	EAN CODE	INDEX	NET	GROSS
ZW3000 90/50 universal lock, galvanised silver, plastic bag	590220330586 7	OZW3C0W9050.92000X		
ZW3000 90/50 universal lock, galvanised silver, box	590337300301 0	OZW3H0W9050.92000P		
ZW3000 Z.90/50 universal lock, pinion, (folded bands), galvanised silver, plastic bag	590220317497 5	OZW3P0W9050.9200AX		
Set of vertical bands for ZW 3000 locks, bulk	590220330587 4	OADCW3S0000.92000X		

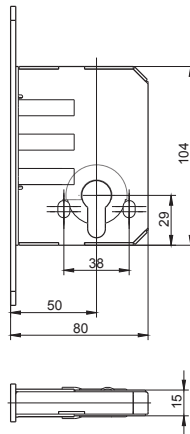
GERDA ZW 500 / ZW 550



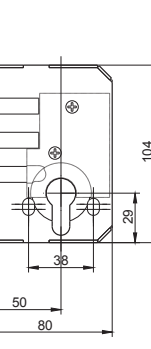
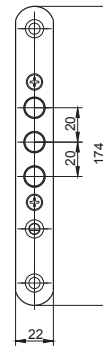
ZW 500



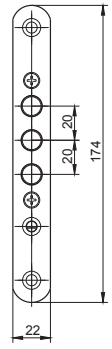
ZW 550



ZW 500



ZW 550



COLOUR



TECHNICAL PARAMETERS

- highest security class (ZW 550) - 7 acc. to standard PN-EN 12209:2005
- drill-resistant - reinforced cover (ZW 550)
- supreme durability - more than 200 000 cycles
- three thick steel bolts
- screw-in front plate
- flat or angled bracket available

CERTIFICATES

ZW 500

-	C	-	0	0	0	6	B	A	0	0
---	---	---	---	---	---	---	---	---	---	---

ZW 550

-	C	-	0	0	0	7	B	A	0	0
---	---	---	---	---	---	---	---	---	---	---

Lock classification based on the PN-EN 12209:2005 standard

Certificates issued by the Precision Mechanics Institute

ZW 500



GERDA CLASS

ZW 550



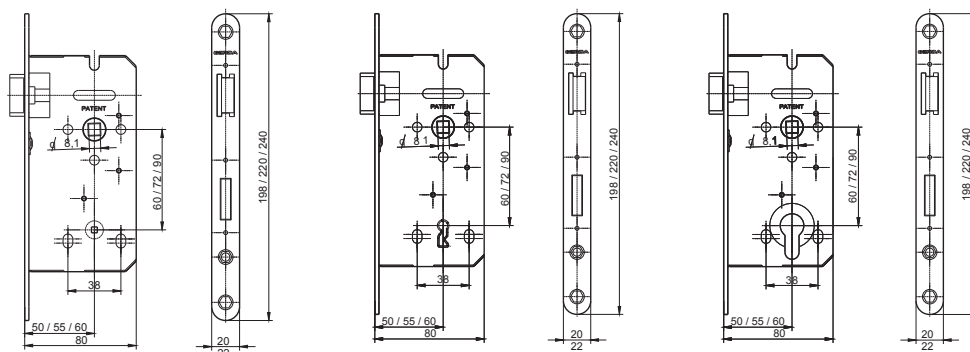
GERDA CLASS



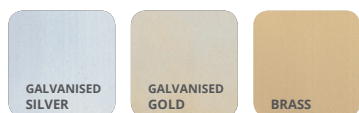
DESCRIPTION	EAN CODE	INDEX	NET	GROSS
ZW 550 universal lock, galvanised silver, skin-pack	590337300882 4	OZW550W0050.92000S		
ZW 550 universal lock, woodwork version, galvanised silver, cardboard box with 36 pcs.	590140751062 6	OZW550W0050.9200TX		
ZW 500 universal lock, galvanised gold, skin-pack	5903373009128	OZW500W0050.91000S		
ZW 500 universal lock, galvanised silver, skin-pack	590337300883 1	OZW500W0050.92000S		
ZW 500 universal lock, woodwork version, galvanised gold, cardboard box with 36 pcs.*	590220317864 5	OZW500W0050.9100TX		
ZW 500 universal lock, woodwork version, galvanised silver, cardboard box with 36 pcs.*	590140751061 9	OZW500W0050.9200TX		

* price per 1 piece

GERDA ZW 100



COLOUR



TECHNICAL PARAMETERS

- high durability - 50 000 cycles
- universal - easy to change the lock direction
- wide range of sizes
- riveted, steel front plate
- designed from durable materials
- riveted, solid lock casing

CERTIFICATES



Lock classification based on the PN-EN 12209:2005 standard
Certificate issued by the Precision Mechanics Institute



WYKONANIA NA WKŁADKĘ	EAN CODE	INDEX	NET	GROSS
ZW 100 60/50 universal cylinder lock, galvanised gold, box	590337300131 3	OZW100W6050.91000P		
ZW 100 60/50 universal cylinder lock, galvanised silver, box	590337300095 8	OZW100W6050.92000P		
ZW 100 60/50 universal cylinder lock, brass, box	590220330310 8	OZW100W6050.98000P		
ZW 100 72/50 universal cylinder lock, galvanised gold, box	590337300130 6	OZW100W7250.91000P		
ZW 100 72/50 universal cylinder lock, galvanised silver, box	590337300094 1	OZW100W7250.92000P		
ZW 100 72/50 universal cylinder lock, brass, box	590337300241 9	OZW100W7250.98000P		
ZW 100 72/55 universal cylinder lock, galvanised gold, box	590337300630 1	OZW100W7255.91000P		
ZW 100 72/55 universal cylinder lock, galvanised silver, box	590337300629 5	OZW100W7255.92000P		
ZW 100 72/60 universal cylinder lock, galvanised gold, box	590337300129 0	OZW100W7260.91000P		
ZW 100 72/60 universal cylinder lock, galvanised silver, box	590337300104 7	OZW100W7260.92000P		
ZW 100 90/50 universal cylinder lock, galvanised gold, box	590337300128 3	OZW100W9050.91000P		
ZW 100 90/50 universal cylinder lock, galvanised silver, box	590337300093 4	OZW100W9050.92000P		
ZW 100 72/60 universal cylinder lock, brass, box	590337300822 0	OZW100W7260.98000P		
ZW 100 90/50 universal cylinder lock, brass, box	590337300242 6	OZW100W9050.98000P		

GERDA ZW 100

KEYED LOCK INSTALLATIONS	EAN CODE	INDEX	NET	GROSS
ZW 100 60/50 universal keyed lock, galvanised gold, box	590337300127 6	OZW100K6050.91000P		
ZW 100 60/50 universal keyed lock, galvanised silver, box	590337300092 7	OZW100K6050.92000P		
ZW 100 72/50 universal keyed lock, galvanised gold, box	590337300126 9	OZW100K7250.91000P		
ZW 100 72/50 universal keyed lock, galvanised silver, box	590337300091 0	OZW100K7250.92000P		
ZW 100 72/50 universal keyed lock, brass, box	590337300237 2	OZW100K7250.98000P		
ZW 100 72/55 universal keyed lock, galvanised gold, box	590337300642 4	OZW100K7255.91000P		
ZW 100 72/55 universal keyed lock, galvanised silver, box	590337300641 7	OZW100K7255.92000P		
ZW 100 72/60 universal keyed lock, galvanised gold, box	590337300125 2	OZW100K7260.91000P		
ZW 100 72/60 universal keyed lock, galvanised silver, box	590337300105 4	OZW100K7260.92000P		
ZW 100 72/60 universal keyed lock, brass, box	590337300876 3	OZW100K7260.98000P		
ZW 100 90/50 universal keyed lock, galvanised gold, box	590337300124 5	OZW100K9050.91000P		
ZW 100 90/50 universal keyed lock, galvanised silver, box	590337300090 3	OZW100K9050.92000P		

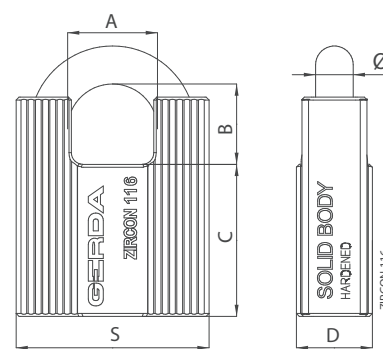
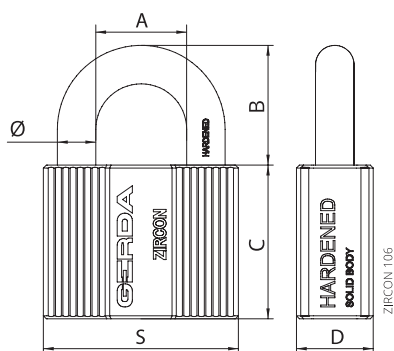
BATHROOM DOOR INSTALLATIONS	EAN CODE	INDEX	NET	GROSS
ZW 100 60/50 universal WC door lock, galvanised gold, box	590337300123 8	OZW100C6050.91000P		
ZW 100 60/50 universal WC door lock, galvanised silver, box	590337300098 9	OZW100C6050.92000P		
ZW 100 72/50 universal WC door lock, galvanised gold, box	590337300122 1	OZW100C7250.91000P		
ZW 100 72/50 universal WC door lock, galvanised silver, box	590337300097 2	OZW100C7250.92000P		
ZW 100 72/50 universal WC door lock, brass, box	590337300233 4	OZW100C7250.98000P		
ZW 100 72/55 universal WC door lock, galvanised gold, box	590337300638 7	OZW100C7255.91000P		
ZW 100 72/55 universal WC door lock, galvanised silver, box	590337300637 0	OZW100C7255.92000P		
ZW 100 72/60 universal WC door lock, galvanised gold, box	590337300121 4	OZW100C7260.91000P		
ZW 100 72/60 universal WC door lock, galvanised silver, box	590337300106 1	OZW100C7260.92000P		
ZW 100 72/60 universal WC door lock, brass, box	590337300877 0	OZW100C7260.98000P		

BULK PACKAGING, 36 PCS - LOCK CYLINDER INSTALLATIONS	EAN CODE	INDEX	NET	GROSS
ZW 100 72/50 universal cylinder lock, woodwork version, galvanised gold, cardboard box with 36 pcs.*	590337300378 2	OZW100W7250.9100TX		
ZW 100 72/50 universal cylinder lock, woodwork version, galvanised silver, cardboard box with 36 pcs.*	590337300379 9	OZW100W7250.9200TX		
ZW 100 72/60 universal cylinder lock, woodwork version, galvanised gold, cardboard box with 36 pcs.*	590337300311 9	OZW100W7260.9100TX		
ZW 100 72/60 universal cylinder lock, woodwork version, galvanised silver, cardboard box with 36 pcs.*	590337300306 5	OZW100W7260.9200TX		
ZW 100 90/50 universal cylinder lock, woodwork version, galvanised gold, cardboard box with 36 pcs.*	590337300308 9	OZW100W9050.9100TX		
ZW 100 90/50 universal cylinder lock, woodwork version, galvanised silver, cardboard box with 36 pcs.*	590337300303 4	OZW100W9050.9200TX		

BULK PACKAGING, 36 PCS - KEYED LOCK INSTALLATIONS	EAN CODE	INDEX	NET	GROSS
ZW 100 72/50 universal keyed lock, woodwork version, galvanised gold, cardboard box with 36 pcs.*	590337300363 8	OZW100K7250.9100TX		
ZW 100 72/50 universal keyed lock, woodwork version, galvanised silver, cardboard box with 36 pcs.*	590337300364 5	OZW100K7250.9200TX		
ZW 100 72/60 universal keyed lock, woodwork version, galvanised gold, cardboard box with 36 pcs.*	590337300331 7	OZW100K7260.9100TX		
ZW 100 72/60 universal keyed lock, woodwork version, galvanised silver, cardboard box with 36 pcs.*	590337300326 3	OZW100K7260.9200TX		

BULK PACKAGING, 36 PCS - BATHROOM DOOR INSTALLATIONS	EAN CODE	INDEX	NET	GROSS
ZW 100 72/50 universal WC door lock, woodwork version, galvanised gold, cardboard box with 36 pcs.*	590337300374 4	OZW100C7250.9100TX		
ZW 100 72/50 universal WC door lock, woodwork version, galvanised silver, cardboard box with 36 pcs.*	590337300375 1	OZW100C7250.9200TX		
ZW 100 72/60 universal WC door lock, woodwork version, galvanised gold, cardboard box with 36 pcs.*	590337300351 5	OZW100C7260.9100TX		
ZW 100 72/60 universal WC door lock, woodwork version, galvanised silver, cardboard box with 36 pcs.*	590337300346 1	OZW100C7260.9200TX		

PADLOCKS GERDA ZIRCON



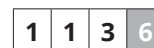
COLOUR



TECHNICAL PARAMETERS

- highest security class - 6 acc. to standard PN-EN 12320:2013
- supreme durability - over 10 000 cycles
- reinforced shackle 13 mm
- shielded shackle version available
- GERDA CL disc locking mechanism
- resistant to tearing, twisting, drilling, impact
- shackle locked at both ends
- can be delivered in one-key system
- can be delivered with the Master Key system
- set includes three CL12 keys

CERTIFICATES



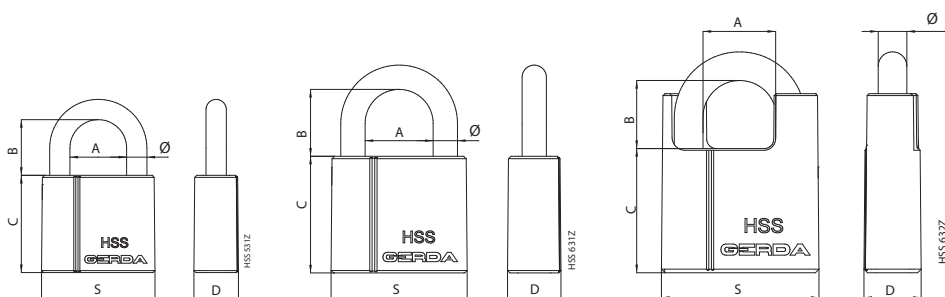
Padlock classification based on the PN-EN 12209:2005 standard

Certificate issued by the Precision Mechanics Institute



DESCRIPTION	S	Ø	A	B	C	D	EAN CODE	INDEX	NET	GROSS
ZIRCON 106 shackle padlock, satin, blister	66	13	31	27,5	52	26	590762007612 3	0KRP0606600.82C30B		
ZIRCON 116 shackle padlock with a shielded shackle, satin, blister	66	13	31	27,5	52	26	590762007618 5	0KRR0606600.82C30B		

PADLOCKS GERDA HSS



COLOUR



TECHNICAL PARAMETERS

- high security class - 4 acc. to standard PN-EN 12320:2013
- resistant to cutting
- resistant to twisting
- reinforced shackle - 10 mm (HSS 531Z)
- reinforced shackle - 12 mm (HSS 631Z, HSS 632Z)
- shielded shackle version available
- GERDA CL disc locking mechanism
- can be delivered in one-key system
- can be delivered with the Master Key system
- three CL6 keys included in the set

CERTIFICATES



Padlock classification based on the PN-EN 12209:2005 standard

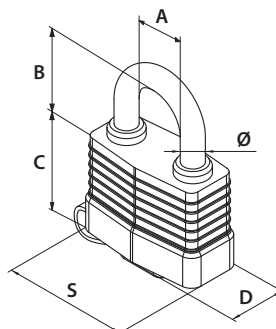
Certificate issued by the Precision Mechanics Institute



GERDA CLASS

DESCRIPTION	S	Ø	A	B	C	D	EAN CODE	INDEX	NET	GROSS
HSS 531 shackle padlock, satin nickel, blister	56	10	30	28	48	20	590220319619 9	0KHP0005600.90630B		
HSS 631Z shackle padlock, satin nickel, blister	66	12	36	28	52	25,5	590220319625 0	0KHP0006600.90630B		
HSS 632Z shackle padlock with a shielded padlock, satin nickel, blister	66	12	36	28	52	29	590220319623 6	0KHR0006600.90630B		

GERDA AQUA MODUS KSM A STEEL MODULAR SHACKLE PADLOCKS



COLOUR



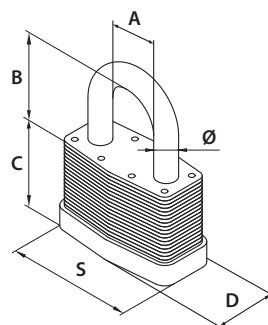
TECHNICAL PARAMETERS

- body made of hardened steel plates, inside a shielding providing protection from adverse weather conditions
- tempered steel shackle
- self-locking
- shackle locked at both ends
- cap protecting the locking mechanism
- increased resistance to dust and dirt



DESCRIPTION	 S	 Ø	 A	 B	 C	 D	EAN CODE	INDEX	NET	GROSS
AQUA MODUS KSM S35A Steel shackle padlock in a protective casing , navy blue, blister	38,0	7,0	12,5	20,0	31,5	24,0	590220317923 9	0KPP0QM3500.56130B		
AQUA MODUS KSM S45A Steel shackle padlock in a protective casing , navy blue, blister	49,0	8,5	17,5	29,0	39,0	31,0	590220317925 3	0KPP0QM4500.56230B		
AQUA MODUS KSM S55A Steel shackle padlock in a protective casing , navy blue, blister	58,0	10,5	23,0	39,5	43,0	33,5	590220317927 7	0KPP0QM5500.56230B		
AQUA MODUS KSM S70A Steel shackle padlock in a protective casing , navy blue, blister	75,0	13,5	27,5	47,0	53,0	40,0	590220317929 1	0KPP0QM7000.56330B		
AQUA MODUS KSM S45AH60 Steel shackle padlock with an extended shackle, in a protective casing, navy blue, blister	49,0	8,5	17,5	51,0	39,0	31,0	590220317931 4	0KPP0QM4560.56230B		
AQUA MODUS KSM S55AH65 Steel shackle padlock with an extended shackle, in a protective casing, navy blue, blister	58,0	10,5	23,0	54,0	43,0	33,5	590220317933 8	0KPP0QM5565.56230B		

GERDA MODUS KSM STEEL MODULAR SHACKLE PADLOCKS



COLOUR



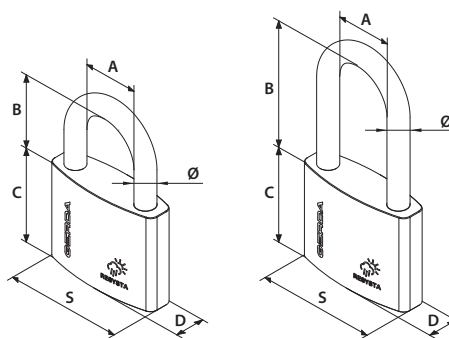
TECHNICAL PARAMETERS

- body made of hardened steel plates, inside a shielding providing protection from adverse weather conditions
- tempered steel shackle
- self-locking
- shackle locked at both ends
- increased resistance to adverse weather conditions



DESCRIPTION	S	Ø	A	B	C	D	EAN CODE	INDEX	NET	GROSS
MODUS KSM S30 Steel shackle padlock, matte chrome, blister	35,0	5,0	16,0	17,5	27,5	20,0	590220317915 4	0KPP00M3000.89130B		
MODUS KSM S40 Steel shackle padlock, matte chrome, blister	43,5	6,0	20,5	24,5	34,0	25,5	590220317917 8	0KPP00M4000.89230B		
MODUS KSM S50 Steel shackle padlock, matte chrome, blister	53,5	7,0	25,0	29,0	38,5	29,0	590220317919 2	0KPP00M5000.89230B		
MODUS KSM S65 Steel shackle padlock, matte chrome, blister	70,0	11,0	30,0	36,0	48,0	34,0	590220317921 5	0KPP00M6500.89330B		

GERDA RESYSTA KSN STAINLESS STEEL SHACKLE PADLOCKS







COLOUR



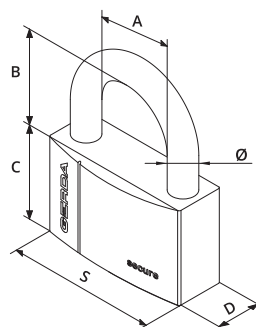
TECHNICAL PARAMETERS

- supreme resistance to corrosion
- stainless steel body and shackle
- double shackle locking mechanism
- self-locking,
- new, ergonomic shape of the key bow
- extended, hardened shackle (RESYSTA padlock with an extended shackle)
- other components made of corrosion-resistant materials



DESCRIPTION	 S	 Ø	 A	 B	 C	 D	EAN CODE	INDEX	NET	GROSS
RESYSTA KSN S30 shackle padlock, stainless steel, blister	32	5,5	17	17	30	13,5	590220318005 1	0KNPORS3000.78130B		
RESYSTA KSN S40 shackle padlock, stainless steel, blister	38	7	20	20	34	15	590220318007 5	0KNPORS4000.78130B		
RESYSTA KSN S50 shackle padlock, stainless steel, blister	50	9	25	25	41	18	590220318009 9	0KNPORS5000.78230B		
RESYSTA KSN S60 shackle padlock, stainless steel, blister	63	10,5	32,5	32,5	50	21	590220318011 2	0KNPORS6000.78230B		
RESYSTA KSN S40H60 shackle padlock with an extended shackle, stainless steel, blister	38	6,5	20	54,5	34	15	590220318013 6	0KNPORS4060.78130B		
RESYSTA KSN S50H70 shackle padlock with an extended shackle, stainless steel, blister	50	9	25	60	41	18	590220318015 0	0KNPORS5070.78230B		

GERDA SECURE KSWs/KSWw REINFORCED SHACKLE PADLOCKS



COLOUR



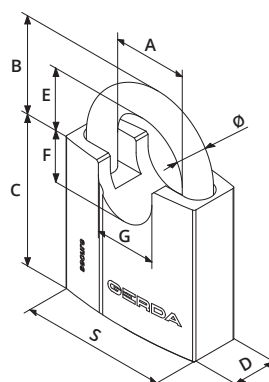
TECHNICAL PARAMETERS

- thick nickel-plated body
- tempered steel shackle, chrome-plated
- cylinder with a disc mechanism, resistant to dust and dirt
- a tempered ring protecting the cylinder

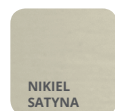


DESCRIPTION	S	Ø	A	B	C	D	EAN CODE	INDEX	NET	GROSS
SECURE KSWs S30 reinforced shackle padlock, satin nickel, blister	30	5	15	18	26	13	590337300942 5	0KWP0003000.90130B		
SECURE KSWs S40 reinforced shackle padlock, satin nickel, blister	40	7	20	25	32	17	590337300944 9	0KWP0004000.90230B		
SECURE KSWs S50 reinforced shackle padlock, satin nickel, blister	50	10	23	27	38	23	590337300946 3	0KWP0005000.90330B		
SECURE KSWs S60 reinforced shackle padlock, satin nickel, blister	60	12	29	32	43	26	590337300948 7	0KWP0006000.90330B		
SECURE KSWs S70 reinforced shackle padlock, satin nickel, blister	70	12	40	36	45	28	590337300950 0	0KWP0007000.90330B		
SECURE KSWw S40H60 reinforced shackle padlock with an extended shackle, satin nickel, blister	40	7	20	53	32	17	590337300962 3	0KWP0004060.90230B		
SECURE KSWw S50H70 reinforced shackle padlock with an extended shackle, satin nickel, blister	50	10	23	60	38	23	590337300964 7	0KWP0005070.90330B		

GERDA SECURE KSWC REINFORCED PADLOCKS WITH A SHIELDED SHACKLE



COLOUR



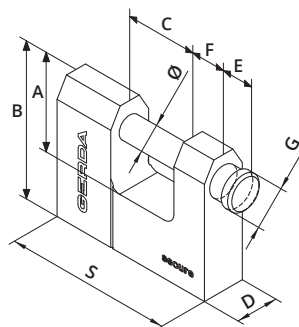
TECHNICAL PARAMETERS

- thick nickel-plated body with a shielded shackle
- tempered steel shackle, chrome-plated
- cylinder with a disc mechanism, resistant to dust and dirt
- a tempered ring protecting the cylinder



DESCRIPTION	S	Ø	A	B	C	D	E	F	G	EAN CODE	INDEX	NET	GROSS
SECURE KSWC S50 reinforced shackle padlock with a shielded padlock, satin nickel, blister	50	10	24	17	63	23	8	18	10	590337300956 2	0KWR0005000.90330B		
SECURE KSWC S60 reinforced shackle padlock with a shielded padlock, satin nickel, blister	60	12	29	20	70	26	8	20	25	590337300958 6	0KWR0006000.90330B		
SECURE KSWC S70 reinforced shackle padlock with a shielded padlock, satin nickel, blister	70	12	40	33	72	28	21	21	29	590337300960 9	0KWR0007000.90330B		

GERDA SECURE KSWT REINFORCED STRAIGHT SHACKLE PADLOCKS



COLOUR



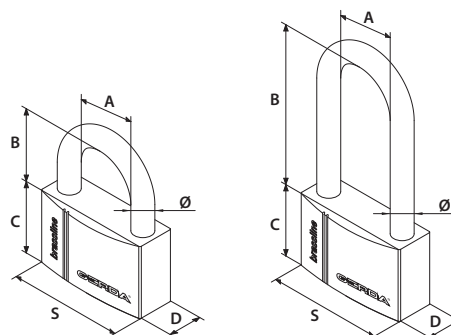
TECHNICAL PARAMETERS

- thick nickel-plated body
- chrome-plated shackle made of tempered steel
- cylinder with a disc mechanism, resistant to dust and dirt
- tempered ring protecting the cylinder

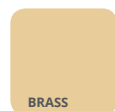


DESCRIPTION	S	Ø	A	B	C	D	E	F	G	EAN CODE	INDEX	NET	GROSS
SECURE KSWT T50 Reinforced straight shackle padlock,satin nickel, blister	50	10	22	12,5	20	18	9	12,5	12	590337300966 1	0KWT0005000.90330B		
SECURE KSWT T60 Reinforced straight shackle padlock,satin nickel, blister	60	10	24	12,5	24	18	9	14,5	12	590337300968 5	0KWT0006000.90330B		
SECURE KSWT T70 Reinforced straight shackle padlock,satin nickel, blister	70	10	30	18,5	56	20	10,5	15,5	15	590337300970 8	0KWT0007000.90330B		
SECURE KSWT T80 Reinforced straight shackle padlock,satin nickel, blister	80	11	36	18,5	56	20	10,5	16	16	590220319814 8	0KWT0008000.90330B		
SECURE KSWT T90 Reinforced straight shackle padlock,satin nickel, blister	90	11	40	18,5	56	20	10,5	18	16	590220319816 2	0KWT0009000.90330B		

GERDA BRASS LINE KMZ BRASS SHACKLE PADLOCKS



COLOUR









TECHNICAL PARAMETERS

- solid brass body
- tempered steel shackle positioned when opening
- self-locking - block at both ends
- increased resistance to corrosion thanks to a water-draining opening
- stainless steel springs
- special pins that increase tampering resistance
- packaged in boxes or blisters









DESCRIPTION	S	Ø	A	B	C	D	EAN CODE	INDEX	NET	GROSS
BRASS LINE KMZ S2010 A brass shackle padlock, box	20	3	12	12	21	10	590337300067 5	0KMP0002000.98130P		
BRASS LINE KMZ S3010 A brass shackle padlock, box	30	5	16,5	16,5	28	13	590337300068 2	0KMP0003000.98130P		
BRASS LINE KMZ S4010 A brass shackle padlock, box	40	6	22	26	32,5	14	590337300069 9	0KMP0004000.98130P		
BRASS LINE KMZ S40H66 brass shackle padlock with an extended shackle, box	40	6	22	61	32,5	14	590337300076 7	0KMP0004066.98130P		
BRASS LINE KMZ S5010 A brass shackle padlock, box	50	8	28	29,5	41,5	17	590337300070 5	0KMP0005000.98230P		
BRASS LINE KMZ S50H80 brass shackle padlock with an extended shackle, box	50	8	28	71	41,5	17	590337300077 4	0KMP0005080.98230P		
BRASS LINE KMZ S6010 A brass shackle padlock, box	60	9,5	35	33	43,5	18	590337300071 2	0KMP0006000.98330P		

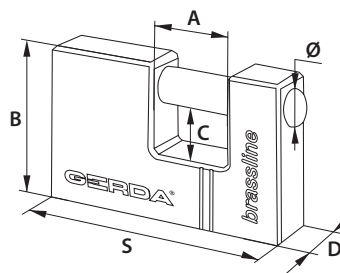
GERDA BRASS LINE KMZ BRASS SHACKLE PADLOCKS

DESCRIPTION	 S	 Ø	 A	 B	 C	 D	EAN CODE	INDEX	NET	GROSS
BRASS LINE KMZ S2010 A brass shackle padlock, blister	20	3	12	12	21	10	590337300532 8	OKMP0002000.98130B		
BRASS LINE KMZ S3010 A brass shackle padlock, blister	30	5	16,5	17	28	13	590337300533 5	OKMP0003000.98130B		
BRASS LINE KMZ S4010 A brass shackle padlock, blister	40	6	22	26	32,5	14	590337300534 2	OKMP0004000.98130B		
BRASS LINE KMZ S40H66 brass shackle padlock with an extended shackle, blister	40	6	22	61	32,5	14	590337300540 3	OKMP0004066.98130B		
BRASS LINE KMZ S5010 A brass shackle padlock, blister	50	8	28	29,5	41,5	16,5	590337300535 9	OKMP0005000.98230B		
BRASS LINE KMZ S50H80 brass shackle padlock with an extended shackle, blister	50	8	28	71	41,5	16,5	590337300541 0	OKMP0005080.98230B		
BRASS LINE KMZ S6010 A brass shackle padlock, blister	60	9,5	35	33	43,5	18	590337300536 6	OKMP0006000.98330B		

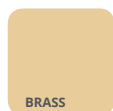
GERDA BRASS LINE KMZ BRASS SHACKLE PADLOCKS, SINGLE KEY SYSTEM

DESCRIPTION							EAN CODE	INDEX	NET	GROSS
	S	Ø	A	B	C	D				
BRASS LINE KMZ S30 brass shackle padlock, single key system, group 3001, box	30	5	16,5	16,5	28	13	590220330114 2	0KMPKAA3001.98130P		
BRASS LINE KMZ S30 brass shackle padlock, single key system, group 3002, box	30	5	16,5	16,5	28	13	590220330116 6	0KMPKAA3002.98130P		
BRASS LINE KMZ S40 brass shackle padlock, single key system, group 4001, box	40	6	22	26	32,5	14	590220318089 1	0KMPKAA4001.98330P		
BRASS LINE KMZ S40 brass shackle padlock, single key system, group 4002, box	40	6	22	26	32,5	14	590220318090 7	0KMPKAA4002.98330P		
BRASS LINE KMZ S40 brass shackle padlock, single key system, group 4003, box	40	6	22	26	32,5	14	590220318091 4	0KMPKAA4003.98330P		
BRASS LINE KMZ S40 brass shackle padlock, single key system, group 4004, box	40	6	22	26	32,5	14	590220318092 1	0KMPKAA4004.98330P		
BRASS LINE KMZ S40 brass shackle padlock, single key system, group 4005, box	40	6	22	26	32,5	14	590220318093 8	0KMPKAA4005.98330P		
BRASS LINE KMZ S40 brass shackle padlock, single key system, group 4006, box	40	6	22	26	32,5	14	590220319701 1	0KMPKAA4006.98330P		
BRASS LINE KMZ S40 brass shackle padlock, single key system, group 4007, box	40	6	22	26	32,5	14	590220319702 8	0KMPKAA4007.98330P		
BRASS LINE KMZ S40 brass shackle padlock, single key system, group 4008, box	40	6	22	26	32,5	14	590220319703 5	0KMPKAA4008.98330P		
BRASS LINE KMZ S40 brass shackle padlock, single key system, group 4009, box	40	6	22	26	32,5	14	590220319704 2	0KMPKAA4009.98330P		
BRASS LINE KMZ S40 brass shackle padlock, single key system, group 4010, box	40	6	22	26	32,5	14	590220319705 9	0KMPKAA4010.98330P		
BRASS LINE KMZ S50 brass shackle padlock, single key system, group 5001, box	50	8	28	29,5	41,5	16,5	590220318094 5	0KMPKAA5001.98430P		
BRASS LINE KMZ S50 brass shackle padlock, single key system, group 5002, box	50	8	28	29,5	41,5	16,5	590220318095 2	0KMPKAA5002.98430P		
BRASS LINE KMZ S50 brass shackle padlock, single key system, group 5003, box	50	8	28	29,5	41,5	16,5	590220318096 9	0KMPKAA5003.98430P		
BRASS LINE KMZ S50 brass shackle padlock, single key system, group 5004, box	50	8	28	29,5	41,5	16,5	590220318097 6	0KMPKAA5004.98430P		
BRASS LINE KMZ S50 brass shackle padlock, single key system, group 5005, box	50	8	28	29,5	41,5	16,5	590220318098 3	0KMPKAA5005.98430P		
BRASS LINE KMZ S50 brass shackle padlock, single key system, group 5006, box	50	8	28	29,5	41,5	16,5	590220319706 6	0KMPKAA5006.98430P		
BRASS LINE KMZ S50 brass shackle padlock, single key system, group 5007, box	50	8	28	29,5	41,5	16,5	590220319707 3	0KMPKAA5007.98430P		
BRASS LINE KMZ S50 brass shackle padlock, single key system, group 5008, box	50	8	28	29,5	41,5	16,5	590220319708 0	0KMPKAA5008.98430P		
BRASS LINE KMZ S50 brass shackle padlock, single key system, group 5009, box	50	8	28	29,5	41,5	16,5	590220319709 7	0KMPKAA5009.98430P		
BRASS LINE KMZ S50 brass shackle padlock, single key system, group 5010, box	50	8	28	29,5	41,5	16,5	590220319710 3	0KMPKAA5010.98430P		
BRASS LINE KMZ S60 brass shackle padlock, single key system, group 6001, box	60	9,5	35	33	43,5	18	590220318099 0	0KMPKAA6001.98430P		
BRASS LINE KMZ S60 brass shackle padlock, single key system, group 6002, box	60	9,5	35	33	43,5	18	590220318100 3	0KMPKAA6002.98430P		
BRASS LINE KMZ S60 brass shackle padlock, single key system, group 6003, box	60	9,5	35	33	43,5	18	590220318101 0	0KMPKAA6003.98430P		
BRASS LINE KMZ S60 brass shackle padlock, single key system, group 6004, box	60	9,5	35	33	43,5	18	590220318102 7	0KMPKAA6004.98430P		
BRASS LINE KMZ S60 brass shackle padlock, single key system, group 6005, box	60	9,5	35	33	43,5	18	590220318103 4	0KMPKAA6005.98430P		

GERDA BRASS LINE KMT BRASS STRAIGHT SHACKLE PADLOCKS



COLOUR



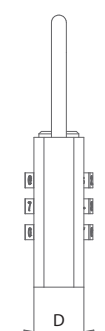
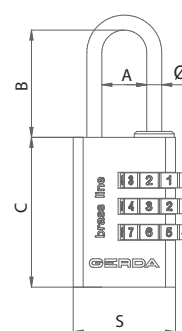
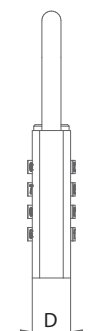
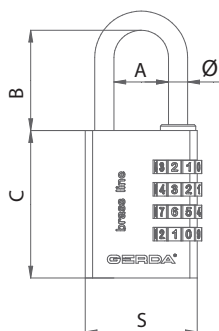
TECHNICAL PARAMETERS

- solid brass body
- tempered steel pin
- self-locking
- key lock when the padlock is unlocked
- increased corrosion resistance
- stainless steel springs
- special pins that increase resistance to tampering
- packaged in boxes or blisters

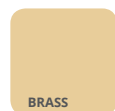


DESCRIPTION	S	Ø	A	B	C	D	EAN CODE	INDEX	NET	GROSS
BRASS LINE KMT T5010 A Straight-shackle brass padlock, box	50	9	14	38	11	15	590337300072 9	0KMT0005000.98130P		
BRASS LINE KMT T6510 A Straight-shackle brass padlock, box	65	10	18	43	13	16	590337300073 6	0KMT0006500.98230P		
BRASS LINE KMT T7510 A Straight-shackle brass padlock, box	75	11	24	48	14	18	590337300074 3	0KMT0007500.98230P		
BRASS LINE KMT T9010 A Straight-shackle brass padlock, box	90	12	36	60	19,5	19	590337300075 0	0KMT0009000.98230P		
BRASS LINE KMT T5010 A Straight-shackle brass padlock, blister	50	9	14	38	11	15	590337300537 3	0KMT0005000.98130B		
BRASS LINE KMT T6510 A Straight-shackle brass padlock, blister	65	10	18	43	13	16	590337300538 0	0KMT0006500.98230B		
BRASS LINE KMT T7510 A Straight-shackle brass padlock, blister	75	11	24	48	14	18	590337300539 7	0KMT0007500.98230B		
BRASS LINE KMT T9010 A Straight-shackle brass padlock, blister	90	12	36	60	19,5	19	590337300578 6	0KMT0009000.98230B		

GERDA BRASS LINE KMS COMBINATION BRASS SHACKLE PADLOCKS



COLOUR




BRASS

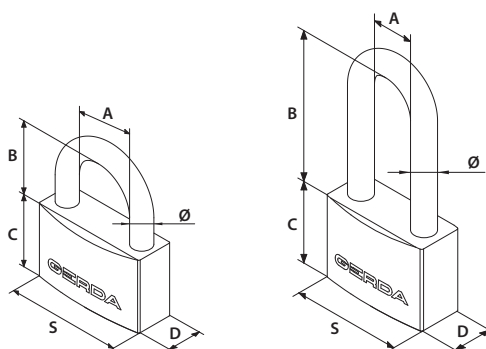
TECHNICAL PARAMETERS

- solid brass body
- hardened steel shackle
- combination lock
- available with 3 or 4 dials
- individual combination can be set

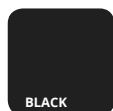


DESCRIPTION	 S	 Ø	 A	 B	 C	 D	EAN CODE	INDEX	NET	GROSS
BRASS LINE KMS S20 combination brass shackle padlock, blister	20	3	9	22	30	10	590220317601 6	0KSP0002000.98000B		
BRASS LINE KMS S30 combination brass shackle padlock, blister	28	5	12,5	26,5	46	12,5	590220317603 0	0KSP0003000.98000B		
BRASS LINE KMS S40 combination brass shackle padlock, blister	38	6	18,5	31,5	49,5	13	590220317605 4	0KSP0004000.98000B		

GERDA IRON LINE KZZS CAST IRON SHACKLE PADLOCKS



COLOUR



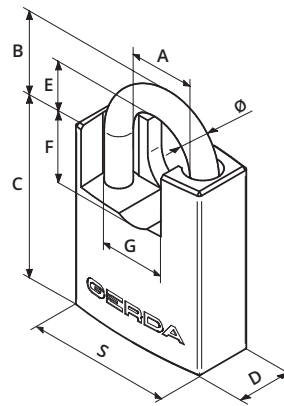
TECHNICAL PARAMETERS

- cast iron body
- hardened shackle
- self-locking
- increased corrosion resistance



DESCRIPTION	S	Ø	A	B	C	D	EAN CODE	INDEX	NET	GROSS
IRON LINE KZZS S30 cast iron shackle padlock, black, box	32	5	15,5	17	30	15	590672660235 9	0KZP0003000.06130P		
IRON LINE KZZS S40 cast iron shackle padlock, black, box	38	6	21	24	34	17	590672660236 6	0KZP0004000.06130P		
IRON LINE KZZS S40H60 cast iron shackle padlock with an extended shackle black, box	38	6	21	60	34	17	590220319543 7	0KZP0004060.06130P		
IRON LINE KZZS S50 cast iron shackle padlock, black, box	50	8	26	32	43	22	590672660237 3	0KZP0005000.06230P		
IRON LINE KZZS S50H70 cast iron shackle padlock with an extended shackle black, box	50	8	26	70	43	22	590220319545 1	0KZP0005070.06230P		
IRON LINE KZZS S60 cast iron shackle padlock, black, box	63	9,5	31,5	31,5	52	26	590672660238 0	0KZP0006000.06330P		
IRON LINE KZZS S70 cast iron shackle padlock, black, box	75	11	41	35	58	28	590672660239 7	0KZP0007500.06330P		

GERDA IRON LINE KZZC CAST IRON SHACKLE PADLOCKS WITH SHIELDED SHACKLE



COLOUR



BLACK

TECHNICAL PARAMETERS

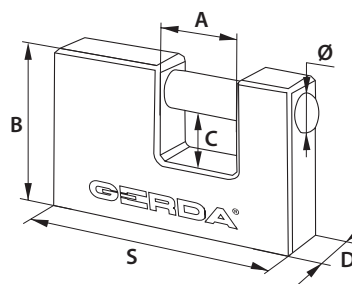
- cast iron body with a shackle cover
- hardened shackle
- self-locking
- shackle locked at both ends
- increased corrosion resistance



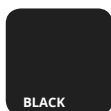
GERDA CLASS GERDA CLASS

DESCRIPTION										EAN CODE	INDEX	NET	GROSS
IRON LINE KZZC S50 cast iron shackle padlock with a shielded padlock, black, box	50	8,5	22	28	42	20	5	22,5	22	590220319818 6	0KZR0005000.90330P		
IRON LINE KZZC S60 cast iron shackle padlock with a shielded padlock, black, box	60	10	24,5	34,5	48	20	11,5	23	24	590220319820 9	0KZR0006000.90330P		
IRON LINE KZZC S60 cast iron shackle padlock with a shielded padlock, black, box	70	11	28,5	39	49,5	22	14	25	29	590220319822 3	0KZR0007000.90330P		

GERDA IRON LINE KZZT CAST IRON STRAIGHT SHACKLE PADLOCKS



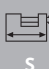

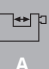
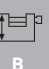
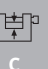

COLOUR



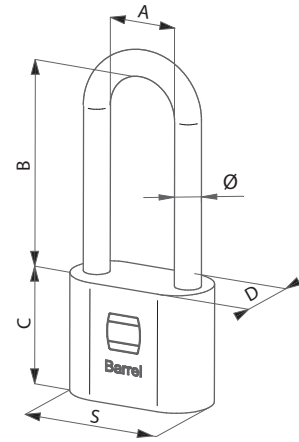
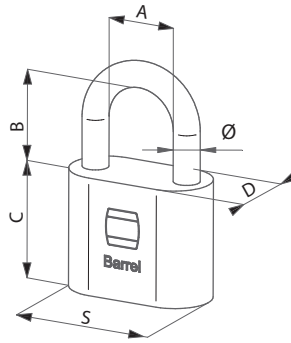
TECHNICAL PARAMETERS

- cast iron body
- hardened shackle
- self-locking
- increased corrosion resistance



DESCRIPTION	 S	 Ø	 A	 B	 C	 D	EAN CODE	INDEX	NET	GROSS
IRON LINE KZZT T50 Cast iron straight shackle padlock, black, box	50	8	14	38	9	15	590220317787 7	0KZT0005000.06130P		
IRON LINE KZZT T60 Cast iron straight shackle padlock, black, box	60	10	21	44	11	16	590220317789 1	0KZT0006000.06130P		
IRON LINE KZZT T70 Cast iron straight shackle padlock, black, box	70	12	22	47	12	18	590220317791 4	0KZT0007000.06230P		
IRON LINE KZZT T80 Cast iron straight shackle padlock, black, box	80	12	28	52	13	18	590220317812 6	0KZT0008000.06230P		
IRON LINE KZZT T90 Cast iron straight shackle padlock, black, box	90	12	36	58	17	18	590220317793 8	0KZT0009000.06230P		

GERDA BARREL KSP STEEL SHACKLE PADLOCKS

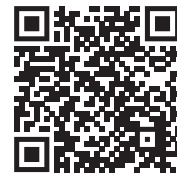


COLOUR








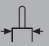
TECHNICAL PARAMETERS

- steel shackle with a galvanised coating in matte chrome colour
- cylinder with a disc mechanism, resistant to dust and dirty
- tempered steel shackle, chrome-coated
- body with increased durability
- shackle locked at both ends

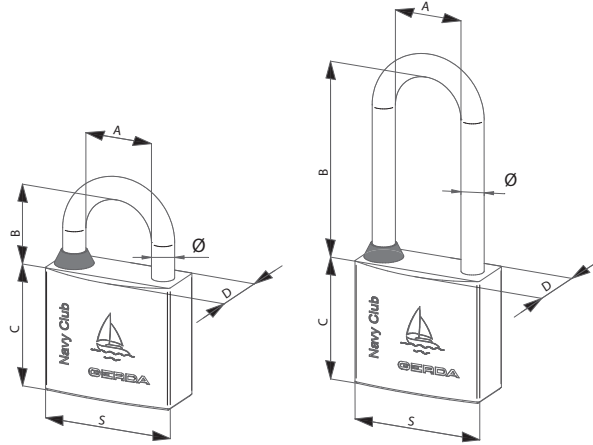


DESCRIPTION	S	Ø	A	B	C	D	EAN CODE	INDEX	NET	GROSS
BARREL KSP 30 steel shackle padlock, matte chrome, blister	30	5	15	17,5	26	15	590220330892 9	0KFP0BA3000.89130B		
BARREL KSP 30H42 steel shackle padlock with an extended shackle, matte chrome, blister	30	5	13	37,5	26	15	590220330880 6	0KFP0BA3042.89130B		
BARREL KSP 40 steel shackle padlock, matte chrome, blister	40	7,2	20	22	32	20	590220330172 2	0KFP0BA4000.89130B		
BARREL KSP 40H60 steel shackle padlock with an extended shackle, matte chrome, blister	50	7,2	20	52	32	20	590220330881 3	0KFP0BA4060.89130B		
BARREL KSP 50 steel shackle padlock, matte chrome, blister	50	8,8	23,5	28	38	20	590220330174 6	0KFP0BA5000.89230B		
BARREL KSP 50H66 steel shackle padlock with an extended shackle, matte chrome, blister	50	8,8	23,5	58	38	20	590220330882 0	0KFP0BA5066.89230B		
BARREL KSP 60 steel shackle padlock, matte chrome, blister	60	10,8	25,2	31	42	20	590220330176 0	0KFP0BA6000.89230B		

GERDA BARREL KSP STEEL SHACKLE PADLOCKS

DESCRIPTION	 S	 Ø	 A	 B	 C	 D	EAN CODE	INDEX	NET	GROSS
BARREL KSP 30 steel shackle padlock, matte chrome, box	30	5	15	17,5	26	15	590220330894 3	0KFP0BA3000.89130P		
BARREL KSP 30H42 steel shackle padlock with an extended shackle, matte chrome, box	30	5	13	37,5	26	15	590220330886 8	0KFP0BA3042.89130P		
BARREL KSP 40 steel shackle padlock, matte chrome, box	40	7,2	20	22	32	20	590220330274 3	0KFP0BA4000.89130P		
BARREL KSP 40H60 steel shackle padlock with an extended shackle, matte chrome, box	50	7,2	20	52	32	20	590220330887 5	0KFP0BA4060.89130P		
BARREL KSP 50 steel shackle padlock, matte chrome, box	50	8,8	23,5	28	38	20	590220330276 7	0KFP0BA5000.89230P		
BARREL KSP 50H66 steel shackle padlock with an extended shackle, matte chrome, box	50	8,8	23,5	58	38	20	590220330888 2	0KFP0BA5066.89230P		
BARREL KSP 60 steel shackle padlock, matte chrome, box	60	10,8	25,2	31	42	20	590220330278 1	0KFP0BA6000.89230P		

GERDA NAVY CLUB KCNP STAINLESS SHACKLE PADLOCKS



COLOUR








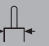
TECHNICAL PARAMETERS

- padlocks made of materials highly resistant to weather conditions
- highly corrosion resistant padlocks
- body coated with a galvanised layer in polished chrome colour
- tempered stainless steel shackle
- shackle locked at both ends
- self-locking



DESCRIPTION	S	Ø	A	B	C	D	EAN CODE	INDEX	NET	GROSS
NAVY CLUB KCNP 30 chrome-plated stainless steel shackle padlock, polished chrome, blister	30	5	15,5	18	28,2	12,8	590220330280 4	0KCP0NC3000.99130B		
NAVY CLUB KCNP 40 chrome-plated stainless steel shackle padlock, polished chrome, blister	40	6	22,6	22	33	14,2	590220330282 8	0KCP0NC4000.99130B		
NAVY CLUB KCNP 40H70 chrome-plated stainless steel shackle padlock with an extended shackle, polished chrome, blister	40	6	22,6	65	33	14,2	590220330283 5	0KCP0NC4070.99130B		
NAVY CLUB KCNP 50 chrome-plated stainless steel shackle padlock, polished chrome, blister	50	8	27,8	29,5	40,5	16,5	590220330284 2	0KCP0NC5000.99230B		
NAVY CLUB KCNP 50H80 chrome-plated stainless steel shackle padlock with an extended shackle, polished chrome, blister	50	8	27,8	75,5	40,5	16,5	590220330285 9	0KCP0NC5080.99230B		
NAVY CLUB KCNP 60 chrome-plated stainless steel shackle padlock, polished chrome, blister	60	9,5	33	35	42,5	18,1	590220330286 6	0KCP0NC6000.99330B		

GERDA NAVY CLUB KCNP PADLOCKS

DESCRIPTION	 S	 Ø	 A	 B	 C	 D	EAN CODE	INDEX	NET	GROSS
NAVYCLUB KCNP30 chrome-plated stainless steel shackle padlock, polished chrome, box	30	5	15,5	18	28,2	12,8	590220330294 1	0KCP0NC3000.99130P		
NAVYCLUB KCNP40 chrome-plated stainless steel shackle padlock, polished chrome, box	40	6	22,6	22	33	14,2	590220330296 5	0KCP0NC4000.99130P		
NAVY CLUB KCNP 40H70 chrome-plated stainless steel shackle padlock with an extended shackle, polished chrome, box	40	6	22,6	65	33	14,2	590220330297 2	0KCP0NC4070.99130P		
NAVYCLUB KCNP50 chrome-plated stainless steel shackle padlock, polished chrome, box	50	8	27,8	29,5	40,5	16,5	590220330298 9	0KCP0NC5000.99230P		
NAVY CLUB KCNP 50H80 chrome-plated stainless steel shackle padlock with an extended shackle, polished chrome, box	50	8	27,8	75,5	40,5	16,5	590220330299 6	0KCP0NC5080.99230P		
NAVYCLUB KCNP60 chrome-plated stainless steel shackle padlock, polished chrome, box	60	9,5	33	35	42,5	18,1	590220330300 9	0KCP0NC6000.99330P		

MASTER KEY SYSTEMS

Master key systems comprise keys and various types of locks designed so as to enable the Purchase to open a specific number of locks using a single key. A master key system may be made up of various types of lock cylinders, padlocks, surface lock cylinders, industrial locks, furniture locks, etc.

BENEFITS

- in emergency situations, all doors can be opened with a single key,
- prevents unauthorised key copying - the key profile is proprietary and patented,
- the system owner specifies the number of keys and persons entitled to open specific rooms,
- a well-designed systems enables a significant reduction in the number of keys used at a given site, directly lowering costs,
- additional keys and cylinders can be ordered by authorised persons without leaving home,
- we provide a high-quality product, guaranteeing that all locks will remain in good technical condition for a long time,
- the system can be implemented in stages.

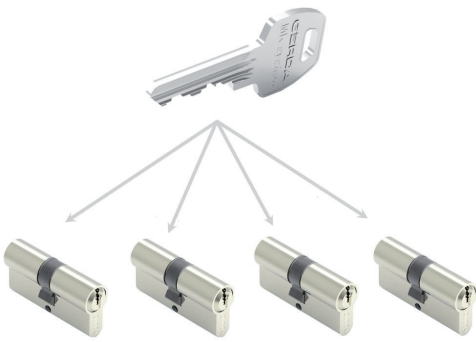
COMFORT

Have you had enough of having to look for the right key every day?

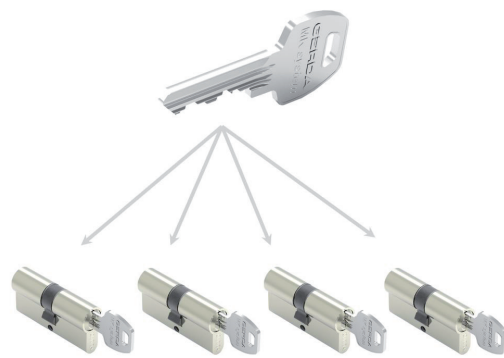
You can have a single key that will open every lock, enabling simple and fast transit inside the building.

THE MASTER KEY SYSTEM INCLUDES THE FOLLOWING GROUPS:

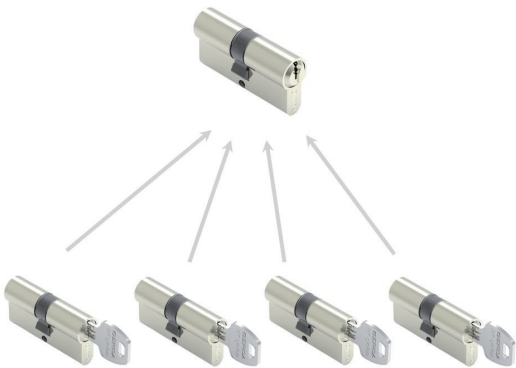
Standardised cylinder system – all cylinders are opened using the same key.



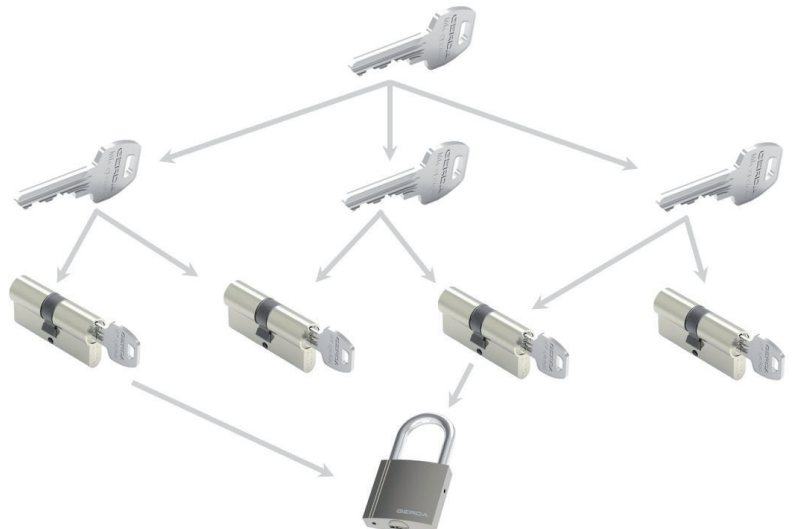
Master key system – the master key opens all rooms on the site. Specific rooms are opened only by individual keys.



Central cylinder system – individual keys to a single room (apartment) also open shared rooms/doors (gates, staircases, garage and trash disposal entrances, etc.). Particularly useful in residential areas.



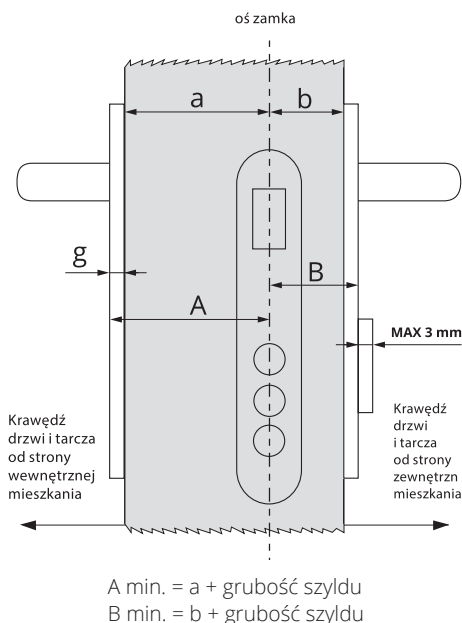
Central key system – designed for use in large office or industrial buildings, schools, hospitals, etc. Depending on the organisation's organisational structure, the system features a number of key groups subordinate to an overarching master key controlling the entire system.



The solutions proposed above are also available with GERDA PRO System and CL cylinders.

Master key systems are subject to separate quotations made to order. Please contact our Master Key Department at (mk@gerda.pl) to learn more.

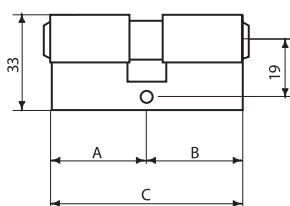
PROFILE CYLINDERS



TO SELECT THE APPROPRIATE CYLINDER DIMENSIONS FOR YOUR DOOR:

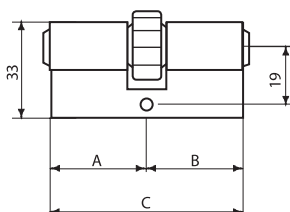
- 1) Measure the distance between the axis of the lock and the edge of the door (dimension a). Add the thickness of the escutcheon used on the door to the measured dimension. The calculated value is the minimum A dimension of the cylinder.
- 2) Measure the distance between the axis of the lock and the edge of the door (dimension b). Add the thickness of the escutcheon used on the door to the measured dimension. The calculated value is the minimum B dimension.
- 3) The total cylinder dimension is calculated as the sum of dimensions A and B and is designated C.
- 4) A correctly selected cylinder should not extend more than 3mm beyond the surface of the lock escutcheons.

If the cylinder used is larger (than recommended), the cylinder may be broken off, in particular from the external side of the apartment or house.



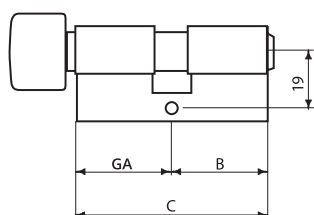
PROFILE CYLINDERS ARE AVAILABLE IN TWO BASIC VERSIONS, DEPENDING ON THE METHOD OF DRIVE TRANSMISSION:

- key-key jaw coupling cylinders
- key-key pinion cylinders (versions available: z=10 teeth and z=12 teeth).
- The procedure for choosing dimensions of both these versions of cylinders are the same as described above and shown in illustrations below.



PINION CYLINDERS

Pinion cylinders can transmit a larger evenly distributed force (than jaw coupling cylinders) and are mostly used in locks installed on heavy, solidly constructed doors, with additional bolts in each door sash.



Dimensions for knob-key cylinders are given as: GA / B.
G - denotes the dimension from the knob side.

WE ALSO OFFER SPECIAL VERSIONS OF PRO SYSTEM CYLINDERS WITH ADDITIONAL MAINTENANCE KEYS, AS PART OF SO-CALLED AB VARIANTS, WHICH INCLUDE:

- B key set – 2 maintenance keys (1 key as an option),
- A key set – 5 end keys with the code specified on the keycard.

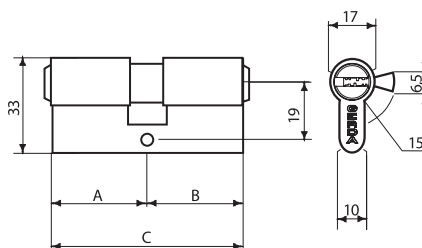
AB variant cylinders allow the owner to change the cylinder code in a quick and simple manner after the construction and maintenance crews complete their work. Maintenance keys (B) are used during construction and maintenance works. After these works are completed, maintenance keys (B) should be collected and destroyed (we discourage keeping them, as they can be used to recreate the end key code).

The next step is to use the end keys (A) to recode the cylinder, with the help of a manual that came with the cylinder. From now on, only end keys (A) can be used to open the lock.

Padlocks (with the PRO SYSTEM 30/10 half-cylinder) in single key and master key systems can be aligned with PRO SYSTEM cylinders, both in new and existing systems.

All profile cylinders and tubular cylinders are also available in blister or skin-pak packaging. To purchase products in packaging other than box, please contact the Customer Service Centre in Sokołów.

KEY-KEY PRO SYSTEM



COLOUR



TECHNICAL PARAMETERS

- highest security class - 6 acc. to standard PN-EN 1303:2015
- supreme mechanism durability - over 100 000 cycles
- more than 2 700 000 key code combinations
- highest burglary resistance class - C
- supreme resistance to corrosion
- certified for use in fire-resistant woodwork
- anti-bump protection
- new dual-radius pins
- set includes five keys and a fixing screw

CERTIFICATES



Cylinder classification acc. to standard PN-EN 1303:2015-07
Certificate issued by the Precision Mechanics Institute

AVAILABLE OPTIONS

- semi-cylinder with an adjustable jaw coupling
- safe coupling in lock size 35/35 and above
- can be delivered in one-key system
- can be delivered with the Master Key system



DESCRIPTION	DIMENSIONS (mm)			EAN CODE	INDEX	NET	GROSS
	A	B	C				
PRO SYSTEM 30/30 satin nickel cylinder, box	30	30	60	590140751532 4	0WKPRS03030.90050P		
PRO SYSTEM 30/30 brass cylinder, box	30	30	60	590140751534 8	0WKPRS03030.98050P		
PRO SYSTEM 30/35 satin nickel cylinder, box	30	35	65	590140751536 2	0WKPRS03035.90050P		
PRO SYSTEM 30/35 brass cylinder, box	30	35	65	590140751538 6	0WKPRS03035.98050P		
PRO SYSTEM 30/40 satin nickel cylinder, box	30	40	70	590140751540 9	0WKPRS03040.90050P		
PRO SYSTEM 30/40 brass cylinder, box	30	40	70	590140751542 3	0WKPRS03040.98050P		
PRO SYSTEM 30/45 satin nickel cylinder, box	30	45	75	590140751654 3	0WKPRS03045.90050P		
PRO SYSTEM 30/45 brass cylinder, box	30	45	75	590140751658 1	0WKPRS03045.98050P		
PRO SYSTEM 30/50 satin nickel cylinder, box	30	50	80	590140751518 8	0WKPRS03050.90050P		
PRO SYSTEM 30/50 brass cylinder, box	30	50	80	590140751544 7	0WKPRS03050.98050P		
PRO SYSTEM 30/55 satin nickel cylinder, box	30	55	85	590220318335 9	0WKPRS03055.90050P		
PRO SYSTEM 30/55 brass cylinder, box	30	55	85	590220318336 6	0WKPRS03055.98050P		
PRO SYSTEM 30/60 satin nickel cylinder, box	30	60	90	590220318337 3	0WKPRS03060.90050P		
PRO SYSTEM 30/60 brass cylinder, box	30	60	90	590220318338 0	0WKPRS03060.98050P		
PRO SYSTEM 30/65 satin nickel cylinder, box	30	65	95	590220318339 7	0WKPRS03065.90050P		

KEY-KEY PRO SYSTEM

DESCRIPTION			DIMENSIONS (mm)			EAN CODE	INDEX	NET	GROSS
			A	B	C				
PRO SYSTEM	30/65	brass cylinder, box	30	65	95	590220318340 3	0WKPRS03065.98050P		
PRO SYSTEM	30/70	satın nickel cylinder, box	30	70	100	590220318341 0	0WKPRS03070.90050P		
PRO SYSTEM	30/70	brass cylinder, box	30	70	100	590220318342 7	0WKPRS03070.98050P		
PRO SYSTEM	30/75	satın nickel cylinder, box	30	75	105	590220318343 4	0WKPRS03075.90050P		
PRO SYSTEM	30/75	brass cylinder, box	30	75	105	590220318344 1	0WKPRS03075.98050P		
PRO SYSTEM	30/80	satın nickel cylinder, box	30	80	110	590220318345 8	0WKPRS03080.90050P		
PRO SYSTEM	30/80	brass cylinder, box	30	80	110	590220318346 5	0WKPRS03080.98050P		
PRO SYSTEM	30/85	satın nickel cylinder, box	30	85	115	590220318347 2	0WKPRS03085.90050P		
PRO SYSTEM	30/85	brass cylinder, box	30	85	115	590220318348 9	0WKPRS03085.98050P		
PRO SYSTEM	30/90	satın nickel cylinder, box	30	90	120	590220318349 6	0WKPRS03090.90050P		
PRO SYSTEM	30/90	brass cylinder, box	30	90	120	590220318350 2	0WKPRS03090.98050P		
PRO SYSTEM	30/95	satın nickel cylinder, box	30	95	125	590220318351 9	0WKPRS03095.90050P		
PRO SYSTEM	30/95	brass cylinder, box	30	95	125	590220318352 6	0WKPRS03095.98050P		
PRO SYSTEM	30/100	satın nickel cylinder, box	30	100	130	590220318353 3	0WKPRS03000.90050P		
PRO SYSTEM	30/100	brass cylinder, box	30	100	130	590220318354 0	0WKPRS03000.98050P		
PRO SYSTEM	35/35	satın nickel cylinder, box	35	35	70	590140751546 1	0WKPRS03535.90050P		
PRO SYSTEM	35/35	brass cylinder, box	35	35	70	590140751548 5	0WKPRS03535.98050P		
PRO SYSTEM	35/40	satın nickel cylinder, box	35	40	75	590140751520 1	0WKPRS03540.90050P		
PRO SYSTEM	35/40	brass cylinder, box	35	40	75	590140751660 4	0WKPRS03540.98050P		
PRO SYSTEM	35/45	satın nickel cylinder, box	35	45	80	590140751522 5	0WKPRS03545.90050P		
PRO SYSTEM	35/45	brass cylinder, box	35	45	80	590140751662 8	0WKPRS03545.98050P		
PRO SYSTEM	35/50	satın nickel cylinder, box	35	50	85	590140751664 2	0WKPRS03550.90050P		
PRO SYSTEM	35/50	brass cylinder, box	35	50	85	590140751668 0	0WKPRS03550.98050P		
PRO SYSTEM	35/55	satın nickel cylinder, box	35	55	90	590220318355 7	0WKPRS03555.90050P		
PRO SYSTEM	35/55	brass cylinder, box	35	55	90	590220318356 4	0WKPRS03555.98050P		
PRO SYSTEM	35/60	satın nickel cylinder, box	35	60	95	590220318357 1	0WKPRS03560.90050P		
PRO SYSTEM	35/60	brass cylinder, box	35	60	95	590220318358 8	0WKPRS03560.98050P		
PRO SYSTEM	35/65	satın nickel cylinder, box	35	65	100	590220318359 5	0WKPRS03565.90050P		
PRO SYSTEM	35/65	brass cylinder, box	35	65	100	590220318360 1	0WKPRS03565.98050P		
PRO SYSTEM	35/70	satın nickel cylinder, box	35	70	105	590220318361 8	0WKPRS03570.90050P		
PRO SYSTEM	35/70	brass cylinder, box	35	70	105	590220318362 5	0WKPRS03570.98050P		
PRO SYSTEM	35/75	satın nickel cylinder, box	35	75	110	590220318363 2	0WKPRS03575.90050P		
PRO SYSTEM	35/75	brass cylinder, box	35	75	110	590220318364 9	0WKPRS03575.98050P		
PRO SYSTEM	35/80	satın nickel cylinder, box	35	80	115	590220318365 6	0WKPRS03580.90050P		
PRO SYSTEM	35/80	brass cylinder, box	35	80	115	590220318366 3	0WKPRS03580.98050P		
PRO SYSTEM	35/85	satın nickel cylinder, box	35	85	120	590220318367 0	0WKPRS03585.90050P		
PRO SYSTEM	35/85	brass cylinder, box	35	85	120	590220318368 7	0WKPRS03585.98050P		
PRO SYSTEM	35/90	satın nickel cylinder, box	35	90	125	590220318369 4	0WKPRS03590.90050P		
PRO SYSTEM	35/90	brass cylinder, box	35	90	125	590220318370 0	0WKPRS03590.98050P		
PRO SYSTEM	35/95	satın nickel cylinder, box	35	95	130	590220318371 7	0WKPRS03595.90050P		
PRO SYSTEM	35/95	brass cylinder, box	35	95	130	590220318372 4	0WKPRS03595.98050P		
PRO SYSTEM	40/40	satın nickel cylinder, box	40	40	80	590140751670 3	0WKPRS04040.90050P		
PRO SYSTEM	40/40	brass cylinder, box	40	40	80	590140751550 8	0WKPRS04040.98050P		
PRO SYSTEM	40/45	satın nickel cylinder, box	40	45	85	590220318373 1	0WKPRS04045.90050P		
PRO SYSTEM	40/45	brass cylinder, box	40	45	85	590220318374 8	0WKPRS04045.98050P		
PRO SYSTEM	40/50	satın nickel cylinder, box	40	50	90	590140751672 7	0WKPRS04050.90050P		
PRO SYSTEM	40/50	brass cylinder, box	40	50	90	590140751674 1	0WKPRS04050.98050P		
PRO SYSTEM	40/55	satın nickel cylinder, box	40	55	95	590220318375 5	0WKPRS04055.90050P		
PRO SYSTEM	40/55	brass cylinder, box	40	55	95	590220318376 2	0WKPRS04055.98050P		
PRO SYSTEM	40/60	satın nickel cylinder, box	40	60	100	590220318377 9	0WKPRS04060.90050P		
PRO SYSTEM	40/60	brass cylinder, box	40	60	100	590220318378 6	0WKPRS04060.98050P		
PRO SYSTEM	40/65	satın nickel cylinder, box	40	65	105	590220318379 3	0WKPRS04065.90050P		
PRO SYSTEM	40/65	brass cylinder, box	40	65	105	590220318380 9	0WKPRS04065.98050P		
PRO SYSTEM	40/70	satın nickel cylinder, box	40	70	110	590220318381 6	0WKPRS04070.90050P		
PRO SYSTEM	40/70	brass cylinder, box	40	70	110	590220318382 3	0WKPRS04070.98050P		

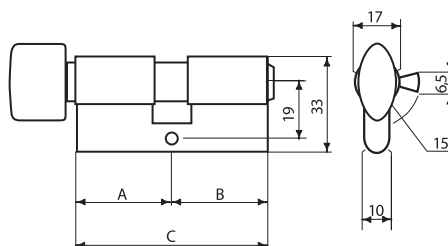
KEY-KEY PRO SYSTEM

DESCRIPTION	DIMENSIONS (mm)			EAN CODE	INDEX	NET	GROSS
	A	B	C				
PRO SYSTEM 40/75 satin nickel cylinder, box	40	75	115	590220318383 0	0WKPRS04075.90050P		
PRO SYSTEM 40/75 brass cylinder, box	40	75	115	590220318384 7	0WKPRS04075.98050P		
PRO SYSTEM 40/80 satin nickel cylinder, box	40	80	120	590220318385 4	0WKPRS04080.90050P		
PRO SYSTEM 40/80 brass cylinder, box	40	80	120	590220318386 1	0WKPRS04080.98050P		
PRO SYSTEM 40/85 satin nickel cylinder, box	40	85	125	590220318387 8	0WKPRS04085.90050P		
PRO SYSTEM 40/85 brass cylinder, box	40	85	125	590220318388 5	0WKPRS04085.98050P		
PRO SYSTEM 40/90 satin nickel cylinder, box	40	90	130	590220318389 2	0WKPRS04090.90050P		
PRO SYSTEM 40/90 brass cylinder, box	40	90	130	590220318390 8	0WKPRS04090.98050P		
PRO SYSTEM 45/45 satin nickel cylinder, box	45	45	90	590140751524 9	0WKPRS04545.90050P		
PRO SYSTEM 45/45 brass cylinder, box	45	45	90	590140751676 5	0WKPRS04545.98050P		
PRO SYSTEM 45/50 satin nickel cylinder, box	45	50	95	590220318391 5	0WKPRS04550.90050P		
PRO SYSTEM 45/50 brass cylinder, box	45	50	95	590220318392 2	0WKPRS04550.98050P		
PRO SYSTEM 45/55 satin nickel cylinder, box	45	55	100	590220318393 9	0WKPRS04555.90050P		
PRO SYSTEM 45/55 brass cylinder, box	45	55	100	590220318394 6	0WKPRS04555.98050P		
PRO SYSTEM 45/60 satin nickel cylinder, box	45	60	105	590220318395 3	0WKPRS04560.90050P		
PRO SYSTEM 45/60 brass cylinder, box	45	60	105	590220318396 0	0WKPRS04560.98050P		
PRO SYSTEM 45/65 satin nickel cylinder, box	45	65	110	590220318397 7	0WKPRS04565.90050P		
PRO SYSTEM 45/65 brass cylinder, box	45	65	110	590220318398 4	0WKPRS04565.98050P		
PRO SYSTEM 45/70 satin nickel cylinder, box	45	70	115	590220318399 1	0WKPRS04570.90050P		
PRO SYSTEM 45/70 brass cylinder, box	45	70	115	590220318400 4	0WKPRS04570.98050P		
PRO SYSTEM 45/75 satin nickel cylinder, box	45	75	120	590220318401 1	0WKPRS04575.90050P		
PRO SYSTEM 45/75 brass cylinder, box	45	75	120	590220318402 8	0WKPRS04575.98050P		
PRO SYSTEM 45/80 satin nickel cylinder, box	45	80	125	590220318403 5	0WKPRS04580.90050P		
PRO SYSTEM 45/80 brass cylinder, box	45	80	125	590220318404 2	0WKPRS04580.98050P		
PRO SYSTEM 45/85 satin nickel cylinder, box	45	85	130	590220318405 9	0WKPRS04585.90050P		
PRO SYSTEM 45/85 brass cylinder, box	45	85	130	590220318406 6	0WKPRS04585.98050P		
PRO SYSTEM 50/50 satin nickel cylinder, box	50	50	100	590220318407 3	0WKPRS05050.90050P		
PRO SYSTEM 50/50 brass cylinder, box	50	50	100	590220318408 0	0WKPRS05050.98050P		
PRO SYSTEM 50/55 satin nickel cylinder, box	50	55	105	590220318409 7	0WKPRS05055.90050P		
PRO SYSTEM 50/55 brass cylinder, box	50	55	105	590220318410 3	0WKPRS05055.98050P		
PRO SYSTEM 50/60 satin nickel cylinder, box	50	60	110	590220318411 0	0WKPRS05060.90050P		
PRO SYSTEM 50/60 brass cylinder, box	50	60	110	590220318412 7	0WKPRS05060.98050P		
PRO SYSTEM 50/65 satin nickel cylinder, box	50	65	115	590220318413 4	0WKPRS05065.90050P		
PRO SYSTEM 50/65 brass cylinder, box	50	65	115	590220318414 1	0WKPRS05065.98050P		
PRO SYSTEM 50/70 satin nickel cylinder, box	50	70	120	590220318415 8	0WKPRS05070.90050P		
PRO SYSTEM 50/70 brass cylinder, box	50	70	120	590220318416 5	0WKPRS05070.98050P		
PRO SYSTEM 50/75 satin nickel cylinder, box	50	75	125	590220318417 2	0WKPRS05075.90050P		
PRO SYSTEM 50/75 brass cylinder, box	50	75	125	590220318418 9	0WKPRS05075.98050P		
PRO SYSTEM 50/80 satin nickel cylinder, box	50	80	130	590220318419 6	0WKPRS05080.90050P		
PRO SYSTEM 50/80 brass cylinder, box	50	80	130	590220318420 2	0WKPRS05080.98050P		
PRO SYSTEM 55/55 satin nickel cylinder, box	55	55	110	590220318421 9	0WKPRS05555.90050P		
PRO SYSTEM 55/55 brass cylinder, box	55	55	110	590220318422 6	0WKPRS05555.98050P		
PRO SYSTEM 55/60 satin nickel cylinder, box	55	60	115	590220318423 3	0WKPRS05560.90050P		
PRO SYSTEM 55/60 brass cylinder, box	55	60	115	590220318424 0	0WKPRS05560.98050P		
PRO SYSTEM 55/65 satin nickel cylinder, box	55	65	120	590220318425 7	0WKPRS05565.90050P		
PRO SYSTEM 55/65 brass cylinder, box	55	65	120	590220318426 4	0WKPRS05565.98050P		
PRO SYSTEM 55/70 satin nickel cylinder, box	55	70	125	590220318427 1	0WKPRS05570.90050P		
PRO SYSTEM 55/70 brass cylinder, box	55	70	125	590220318428 8	0WKPRS05570.98050P		
PRO SYSTEM 55/75 satin nickel cylinder, box	55	75	130	590220318429 5	0WKPRS05575.90050P		
PRO SYSTEM 55/75 brass cylinder, box	55	75	130	590220318430 1	0WKPRS05575.98050P		
PRO SYSTEM 60/60 satin nickel cylinder, box	60	60	120	590220318431 8	0WKPRS06060.90050P		
PRO SYSTEM 60/60 brass cylinder, box	60	60	120	590220318432 5	0WKPRS06060.98050P		
PRO SYSTEM 60/65 satin nickel cylinder, box	60	65	125	590220318433 2	0WKPRS06065.90050P		
PRO SYSTEM 60/65 brass cylinder, box	60	65	125	590220318434 9	0WKPRS06065.98050P		
PRO SYSTEM 60/70 satin nickel cylinder, box	60	70	130	590220318435 6	0WKPRS06070.90050P		

KEY-KEY PRO SYSTEM

DESCRIPTION		DIMENSIONS (mm)			EAN CODE	INDEX	NET	GROSS
		A	B	C				
PRO SYSTEM	60/70 brass cylinder, box	60	70	130	590220318436 3	0WKPRS06070.98050P		
PRO SYSTEM	65/65 satin nickel cylinder, box	65	65	130	590220318437 0	0WKPRS06565.90050P		
PRO SYSTEM	65/65 brass cylinder, box	65	65	130	590220318438 7	0WKPRS06565.98050P		

KNOB-KEY PRO SYSTEM



COLOUR



TECHNICAL PARAMETERS

- highest security class - 6 acc. to standard PN-EN 1303:2015
- supreme mechanism durability - over 100 000 cycles
- more than 2 700 000 key code combinations
- highest burglary resistance class - C
- supreme resistance to corrosion
- certified for use in fire-resistant woodwork
- anti-bump protection
- new dual-radius pins
- set includes five keys and a fixing screw

AVAILABLE OPTIONS

- semi-cylinder with adjustable jaw coupling
- can be delivered in one-key system
- can be delivered with the Master Key system

CERTIFICATES



Cylinder classification acc. to standard PN-EN 1303:2015-07
Certificate issued by the Precision Mechanics Institute



DESCRIPTION	DIMENSIONS (mm)			EAN CODE	INDEX	NET	GROSS
	A	B	C				
PRO SYSTEM G30/30 cylinder with knob, satin nickel, box	30	30	60	590140751564 5	0WKPRG03030.90050P		
PRO SYSTEM G30/30 cylinder with knob, brass, box	30	30	60	590140751530 0	0WKPRG03030.98050P		
PRO SYSTEM G30/35 cylinder with knob, satin nickel, box	30	35	65	590140751514 0	0WKPRG03035.90050P		
PRO SYSTEM G30/35 cylinder with knob, brass, box	30	35	65	590140751566 9	0WKPRG03035.98050P		
PRO SYSTEM G30/40 cylinder with knob, satin nickel, box	30	40	70	590220318134 8	0WKPRG03040.90050P		
PRO SYSTEM G30/40 cylinder with knob, brass, box	30	40	70	590220318135 5	0WKPRG03040.98050P		
PRO SYSTEM G30/45 cylinder with knob, satin nickel, box	30	45	75	590140751568 3	0WKPRG03045.90050P		
PRO SYSTEM G30/45 cylinder with knob, brass, box	30	45	75	590140751572 0	0WKPRG03045.98050P		
PRO SYSTEM G30/50 cylinder with knob, satin nickel, box	30	50	80	590140751574 4	0WKPRG03050.90050P		
PRO SYSTEM G30/50 cylinder with knob, brass, box	30	50	80	590140751576 8	0WKPRG03050.98050P		
PRO SYSTEM G30/55 cylinder with knob, satin nickel, box	30	55	85	590220318136 2	0WKPRG03055.90050P		
PRO SYSTEM G30/55 cylinder with knob, brass, box	30	55	85	590220318137 9	0WKPRG03055.98050P		
PRO SYSTEM G30/60 cylinder with knob, satin nickel, box	30	60	90	590220318138 6	0WKPRG03060.90050P		
PRO SYSTEM G30/60 cylinder with knob, brass, box	30	60	90	590220318139 3	0WKPRG03060.98050P		
PRO SYSTEM G30/65 cylinder with knob, satin nickel, box	30	65	95	590220318140 9	0WKPRG03065.90050P		

PRO SYSTEM GAŁKA-KLUCZ

DESCRIPTION	DIMENSIONS (mm)			EAN CODE	INDEX	NET	GROSS
	A	B	C				
PRO SYSTEM G30/65 cylinder with knob, brass, box	30	65	95	590220318141 6	0WKPRG03065.98050P		
PRO SYSTEM G30/70 cylinder with knob, satin nickel, box	30	70	100	590220318142 3	0WKPRG03070.90050P		
PRO SYSTEM G30/70 cylinder with knob, brass, box	30	70	100	590220318143 0	0WKPRG03070.98050P		
PRO SYSTEM G30/75 cylinder with knob, satin nickel, box	30	75	105	590220318144 7	0WKPRG03075.90050P		
PRO SYSTEM G30/75 cylinder with knob, brass, box	30	75	105	590220318145 4	0WKPRG03075.98050P		
PRO SYSTEM G30/80 cylinder with knob, satin nickel, box	30	80	110	590220318146 1	0WKPRG03080.90050P		
PRO SYSTEM G30/80 cylinder with knob, brass, box	30	80	110	590220318147 8	0WKPRG03080.98050P		
PRO SYSTEM G30/85 cylinder with knob, satin nickel, box	30	85	115	590220318148 5	0WKPRG03085.90050P		
PRO SYSTEM G30/85 cylinder with knob, brass, box	30	85	115	590220318149 2	0WKPRG03085.98050P		
PRO SYSTEM G30/90 cylinder with knob, satin nickel, box	30	90	120	590220318150 8	0WKPRG03090.90050P		
PRO SYSTEM G30/90 cylinder with knob, brass, box	30	90	120	590220318151 5	0WKPRG03090.98050P		
PRO SYSTEM G30/95 cylinder with knob, satin nickel, box	30	95	125	590220318152 2	0WKPRG03095.90050P		
PRO SYSTEM G30/95 cylinder with knob, brass, box	30	95	125	590220318153 9	0WKPRG03095.98050P		
PRO SYSTEM G30/00 cylinder with knob, satin nickel, box	30	00	30	590220318154 6	0WKPRG03000.90050P		
PRO SYSTEM G30/00 cylinder with knob, brass, box	30	00	30	590220318155 3	0WKPRG03000.98050P		
PRO SYSTEM G35/30 cylinder with knob, satin nickel, box	35	30	65	590140751578 2	0WKPRG03530.90050P		
PRO SYSTEM G35/30 cylinder with knob, brass, box	35	30	65	590140751580 5	0WKPRG03530.98050P		
PRO SYSTEM G35/35 cylinder with knob, satin nickel, box	35	35	70	590140751582 9	0WKPRG03535.90050P		
PRO SYSTEM G35/35 cylinder with knob, brass, box	35	35	70	590140751584 3	0WKPRG03535.98050P		
PRO SYSTEM G35/40 cylinder with knob, satin nickel, box	35	40	75	590140751516 4	0WKPRG03540.90050P		
PRO SYSTEM G35/40 cylinder with knob, brass, box	35	40	75	590140751586 7	0WKPRG03540.98050P		
PRO SYSTEM G35/45 cylinder with knob, satin nickel, box	35	45	80	590220318156 0	0WKPRG03545.90050P		
PRO SYSTEM G35/45 cylinder with knob, brass, box	35	45	80	590220318157 7	0WKPRG03545.98050P		
PRO SYSTEM G35/50 cylinder with knob, satin nickel, box	35	50	85	590140751588 1	0WKPRG03550.90050P		
PRO SYSTEM G35/50 cylinder with knob, brass, box	35	50	85	590140751592 8	0WKPRG03550.98050P		
PRO SYSTEM G35/55 cylinder with knob, satin nickel, box	35	55	90	590140751594 2	0WKPRG03555.90050P		
PRO SYSTEM G35/55 cylinder with knob, brass, box	35	55	90	590140751598 0	0WKPRG03555.98050P		
PRO SYSTEM G35/60 cylinder with knob, satin nickel, box	35	60	95	590220318158 4	0WKPRG03560.90050P		
PRO SYSTEM G35/60 cylinder with knob, brass, box	35	60	95	590220318159 1	0WKPRG03560.98050P		
PRO SYSTEM G35/65 cylinder with knob, satin nickel, box	35	65	100	590220318160 7	0WKPRG03565.90050P		
PRO SYSTEM G35/65 cylinder with knob, brass, box	35	65	100	590220318161 4	0WKPRG03565.98050P		
PRO SYSTEM G35/70 cylinder with knob, satin nickel, box	35	70	105	590220318162 1	0WKPRG03570.90050P		
PRO SYSTEM G35/70 cylinder with knob, brass, box	35	70	105	590220318163 8	0WKPRG03570.98050P		
PRO SYSTEM G35/75 cylinder with knob, satin nickel, box	35	75	110	590220318164 5	0WKPRG03575.90050P		
PRO SYSTEM G35/75 cylinder with knob, brass, box	35	75	110	590220318165 2	0WKPRG03575.98050P		
PRO SYSTEM G35/80 cylinder with knob, satin nickel, box	35	80	115	590220318166 9	0WKPRG03580.90050P		
PRO SYSTEM G35/80 cylinder with knob, brass, box	35	80	115	590220318167 6	0WKPRG03580.98050P		
PRO SYSTEM G35/85 cylinder with knob, satin nickel, box	35	85	120	590220318168 3	0WKPRG03585.90050P		
PRO SYSTEM G35/85 cylinder with knob, brass, box	35	85	120	590220318169 0	0WKPRG03585.98050P		
PRO SYSTEM G35/90 cylinder with knob, satin nickel, box	35	90	125	590220318170 6	0WKPRG03590.90050P		
PRO SYSTEM G35/90 cylinder with knob, brass, box	35	90	125	590220318171 3	0WKPRG03590.98050P		
PRO SYSTEM G35/95 cylinder with knob, satin nickel, box	35	95	130	590220318172 0	0WKPRG03595.90050P		
PRO SYSTEM G35/95 cylinder with knob, brass, box	35	95	130	590220318173 7	0WKPRG03595.98050P		
PRO SYSTEM G40/30 cylinder with knob, satin nickel, box	40	30	70	590220318174 4	0WKPRG04030.90050P		
PRO SYSTEM G40/30 cylinder with knob, brass, box	40	30	70	590220318175 1	0WKPRG04030.98050P		
PRO SYSTEM G40/35 cylinder with knob, satin nickel, box	40	35	75	590140751600 0	0WKPRG04035.90050P		
PRO SYSTEM G40/35 cylinder with knob, brass, box	40	35	75	590140751602 4	0WKPRG04035.98050P		
PRO SYSTEM G40/40 cylinder with knob, satin nickel, box	40	40	80	590220318176 8	0WKPRG04040.90050P		
PRO SYSTEM G40/40 cylinder with knob, brass, box	40	40	80	590220318177 5	0WKPRG04040.98050P		
PRO SYSTEM G40/45 cylinder with knob, satin nickel, box	40	45	85	590220318178 2	0WKPRG04045.90050P		
PRO SYSTEM G40/45 cylinder with knob, brass, box	40	45	85	590220318179 9	0WKPRG04045.98050P		
PRO SYSTEM G40/50 cylinder with knob, satin nickel, box	40	50	90	590220318180 5	0WKPRG04050.90050P		
PRO SYSTEM G40/50 cylinder with knob, brass, box	40	50	90	590220318181 2	0WKPRG04050.98050P		
PRO SYSTEM G40/55 cylinder with knob, satin nickel, box	40	55	95	590140751604 8	0WKPRG04055.90050P		
PRO SYSTEM G40/55 cylinder with knob, brass, box	40	55	95	590140751608 6	0WKPRG04055.98050P		

KNOB-KEY PRO SYSTEM

DESCRIPTION	DIMENSIONS (mm)			EAN CODE	INDEX	NET	GROSS
	A	B	C				
PRO SYSTEM G40/60 cylinder with knob, satin nickel, box	40	60	100	590140751610 9	0WKPRG04060.90050P		
PRO SYSTEM G40/60 cylinder with knob, brass, box	40	60	100	590140751614 7	0WKPRG04060.98050P		
PRO SYSTEM G40/65 cylinder with knob, satin nickel, box	40	65	105	590220318182 9	0WKPRG04065.90050P		
PRO SYSTEM G40/65 cylinder with knob, brass, box	40	65	105	590220318183 6	0WKPRG04065.98050P		
PRO SYSTEM G40/70 cylinder with knob, satin nickel, box	40	70	110	590220318184 3	0WKPRG04070.90050P		
PRO SYSTEM G40/70 cylinder with knob, brass, box	40	70	110	590220318185 0	0WKPRG04070.98050P		
PRO SYSTEM G40/75 cylinder with knob, satin nickel, box	40	75	115	590220318186 7	0WKPRG04075.90050P		
PRO SYSTEM G40/75 cylinder with knob, brass, box	40	75	115	590220318187 4	0WKPRG04075.98050P		
PRO SYSTEM G40/80 cylinder with knob, satin nickel, box	40	80	120	590220318188 1	0WKPRG04080.90050P		
PRO SYSTEM G40/80 cylinder with knob, brass, box	40	80	120	590220318189 8	0WKPRG04080.98050P		
PRO SYSTEM G40/85 cylinder with knob, satin nickel, box	40	85	125	590220318190 4	0WKPRG04085.90050P		
PRO SYSTEM G40/85 cylinder with knob, brass, box	40	85	125	590220318191 1	0WKPRG04085.98050P		
PRO SYSTEM G40/90 cylinder with knob, satin nickel, box	40	90	130	590220318192 8	0WKPRG04090.90050P		
PRO SYSTEM G40/90 cylinder with knob, brass, box	40	90	130	590220318193 5	0WKPRG04090.98050P		
PRO SYSTEM G45/30 cylinder with knob, satin nickel, box	45	30	75	590140751616 1	0WKPRG04530.90050P		
PRO SYSTEM G45/30 cylinder with knob, brass, box	45	30	75	590140751620 8	0WKPRG04530.98050P		
PRO SYSTEM G45/35 cylinder with knob, satin nickel, box	45	35	80	590220318194 2	0WKPRG04535.90050P		
PRO SYSTEM G45/35 cylinder with knob, brass, box	45	35	80	590220318195 9	0WKPRG04535.98050P		
PRO SYSTEM G45/40 cylinder with knob, satin nickel, box	45	40	85	590220318196 6	0WKPRG04540.90050P		
PRO SYSTEM G45/40 cylinder with knob, brass, box	45	40	85	590220318197 3	0WKPRG04540.98050P		
PRO SYSTEM G45/45 cylinder with knob, satin nickel, box	45	45	90	590220317806 5	0WKPRG04545.90050P		
PRO SYSTEM G45/45 cylinder with knob, brass, box	45	45	90	590220317808 9	0WKPRG04545.98050P		
PRO SYSTEM G45/50 cylinder with knob, satin nickel, box	45	50	95	590220318198 0	0WKPRG04550.90050P		
PRO SYSTEM G45/50 cylinder with knob, brass, box	45	50	95	590220318199 7	0WKPRG04550.98050P		
PRO SYSTEM G45/55 cylinder with knob, satin nickel, box	45	55	100	590220318200 0	0WKPRG04555.90050P		
PRO SYSTEM G45/55 cylinder with knob, brass, box	45	55	100	590220318201 7	0WKPRG04555.98050P		
PRO SYSTEM G45/60 cylinder with knob, satin nickel, box	45	60	105	590220318202 4	0WKPRG04560.90050P		
PRO SYSTEM G45/60 cylinder with knob, brass, box	45	60	105	590220318203 1	0WKPRG04560.98050P		
PRO SYSTEM G45/65 cylinder with knob, satin nickel, box	45	65	110	590220318204 8	0WKPRG04565.90050P		
PRO SYSTEM G45/65 cylinder with knob, brass, box	45	65	110	590220318205 5	0WKPRG04565.98050P		
PRO SYSTEM G45/70 cylinder with knob, satin nickel, box	45	70	115	590220318206 2	0WKPRG04570.90050P		
PRO SYSTEM G45/70 cylinder with knob, brass, box	45	70	115	590220318207 9	0WKPRG04570.98050P		
PRO SYSTEM G45/75 cylinder with knob, satin nickel, box	45	75	120	590220318208 6	0WKPRG04575.90050P		
PRO SYSTEM G45/75 cylinder with knob, brass, box	45	75	120	590220318209 3	0WKPRG04575.98050P		
PRO SYSTEM G45/80 cylinder with knob, satin nickel, box	45	80	125	590220318210 9	0WKPRG04580.90050P		
PRO SYSTEM G45/80 cylinder with knob, brass, box	45	80	125	590220318211 6	0WKPRG04580.98050P		
PRO SYSTEM G45/85 cylinder with knob, satin nickel, box	45	85	130	590220318212 3	0WKPRG04585.90050P		
PRO SYSTEM G45/85 cylinder with knob, brass, box	45	85	130	590220318213 0	0WKPRG04585.98050P		
PRO SYSTEM G50/30 cylinder with knob, brass, box	50	30	80	590140751622 2	0WKPRG05030.90050P		
PRO SYSTEM G50/30 cylinder with knob, brass, box	50	30	80	590140751624 6	0WKPRG05030.98050P		
PRO SYSTEM G50/35 cylinder with knob, satin nickel, box	50	35	85	590140751626 0	0WKPRG05035.90050P		
PRO SYSTEM G50/35 cylinder with knob, brass, box	50	35	85	590140751630 7	0WKPRG05035.98050P		
PRO SYSTEM G50/40 cylinder with knob, satin nickel, box	50	40	90	590220318214 7	0WKPRG05040.90050P		
PRO SYSTEM G50/40 cylinder with knob, brass, box	50	40	90	590220318215 4	0WKPRG05040.98050P		
PRO SYSTEM G50/45 cylinder with knob, satin nickel, box	50	45	95	590220318216 1	0WKPRG05045.90050P		
PRO SYSTEM G50/45 cylinder with knob, brass, box	50	45	95	590220318217 8	0WKPRG05045.98050P		
PRO SYSTEM G50/50 cylinder with knob, satin nickel, box	50	50	100	590220318218 5	0WKPRG05050.90050P		
PRO SYSTEM G50/50 cylinder with knob, brass, box	50	50	100	590220318219 2	0WKPRG05050.98050P		
PRO SYSTEM G50/55 cylinder with knob, satin nickel, box	50	55	105	590220318220 8	0WKPRG05055.90050P		
PRO SYSTEM G50/55 cylinder with knob, brass, box	50	55	105	590220318221 5	0WKPRG05055.98050P		
PRO SYSTEM G50/60 cylinder with knob, satin nickel, box	50	60	110	590220318222 2	0WKPRG05060.90050P		
PRO SYSTEM G50/60 cylinder with knob, brass, box	50	60	110	590220318223 9	0WKPRG05060.98050P		
PRO SYSTEM G50/65 cylinder with knob, satin nickel, box	50	65	115	590220318224 6	0WKPRG05065.90050P		
PRO SYSTEM G50/65 cylinder with knob, brass, box	50	65	115	590220318225 3	0WKPRG05065.98050P		
PRO SYSTEM G50/70 cylinder with knob, satin nickel, box	50	70	120	590220317909 3	0WKPRG05070.90050P		

KNOB-KEY PRO SYSTEM

DESCRIPTION	DIMENSIONS (mm)			EAN CODE	INDEX	NET	GROSS
	A	B	C				
PRO SYSTEM G50/70 cylinder with knob, brass, box	50	70	120	590220317907 9	0WKPRG05070.98050P		
PRO SYSTEM G50/75 cylinder with knob, satin nickel, box	50	75	125	590220318226 0	0WKPRG05075.90050P		
PRO SYSTEM G50/75 cylinder with knob, brass, box	50	75	125	590220318227 7	0WKPRG05075.98050P		
PRO SYSTEM G50/80 cylinder with knob, satin nickel, box	50	80	130	590220318228 4	0WKPRG05080.90050P		
PRO SYSTEM G50/80 cylinder with knob, brass, box	50	80	130	590220318229 1	0WKPRG05080.98050P		
PRO SYSTEM G55/30 cylinder with knob, satin nickel, box	55	30	85	590140751632 1	0WKPRG05530.90050P		
PRO SYSTEM G55/30 cylinder with knob, brass, box	55	30	85	590140751634 5	0WKPRG05530.98050P		
PRO SYSTEM G55/35 cylinder with knob, satin nickel, box	55	35	90	590140751636 9	0WKPRG05535.90050P		
PRO SYSTEM G55/35 cylinder with knob, brass, box	55	35	90	590140751640 6	0WKPRG05535.98050P		
PRO SYSTEM G55/40 cylinder with knob, satin nickel, box	55	40	95	590140751642 0	0WKPRG05540.90050P		
PRO SYSTEM G55/40 cylinder with knob, brass, box	55	40	95	590140751646 8	0WKPRG05540.98050P		
PRO SYSTEM G55/45 cylinder with knob, satin nickel, box	55	45	100	590220318230 7	0WKPRG05545.90050P		
PRO SYSTEM G55/45 cylinder with knob, brass, box	55	45	100	590220318231 4	0WKPRG05545.98050P		
PRO SYSTEM G55/50 cylinder with knob, satin nickel, box	55	50	105	590220318232 1	0WKPRG05550.90050P		
PRO SYSTEM G55/50 cylinder with knob, brass, box	55	50	105	590220318233 8	0WKPRG05550.98050P		
PRO SYSTEM G55/55 cylinder with knob, satin nickel, box	55	55	110	590220318234 5	0WKPRG05555.90050P		
PRO SYSTEM G55/55 cylinder with knob, brass, box	55	55	110	590220318235 2	0WKPRG05555.98050P		
PRO SYSTEM G55/60 cylinder with knob, satin nickel, box	55	60	115	590220318236 9	0WKPRG05560.90050P		
PRO SYSTEM G55/60 cylinder with knob, brass, box	55	60	115	590220318237 6	0WKPRG05560.98050P		
PRO SYSTEM G55/65 cylinder with knob, satin nickel, box	55	65	120	590220318238 3	0WKPRG05565.90050P		
PRO SYSTEM G55/65 cylinder with knob, brass, box	55	65	120	590220318239 0	0WKPRG05565.98050P		
PRO SYSTEM G55/70 cylinder with knob, satin nickel, box	55	70	125	590220318240 6	0WKPRG05570.90050P		
PRO SYSTEM G55/70 cylinder with knob, brass, box	55	70	125	590220318241 3	0WKPRG05570.98050P		
PRO SYSTEM G55/75 cylinder with knob, satin nickel, box	55	75	130	590220318242 0	0WKPRG05575.90050P		
PRO SYSTEM G55/75 cylinder with knob, brass, box	55	75	130	590220318243 7	0WKPRG05575.98050P		
PRO SYSTEM G60/30 cylinder with knob, satin nickel, box	60	30	90	590220318244 4	0WKPRG06030.90050P		
PRO SYSTEM G60/30 cylinder with knob, brass, box	60	30	90	590220318245 1	0WKPRG06030.98050P		
PRO SYSTEM G65/30 cylinder with knob, satin nickel, box	65	30	95	590220318246 8	0WKPRG06530.90050P		
PRO SYSTEM G65/30 cylinder with knob, brass, box	65	30	95	590220318247 5	0WKPRG06530.98050P		
PRO SYSTEM G65/35 cylinder with knob, satin nickel, box	65	35	100	590220318248 2	0WKPRG06535.90050P		
PRO SYSTEM G65/35 cylinder with knob, brass, box	65	35	100	590220318249 9	0WKPRG06535.98050P		
PRO SYSTEM G60/35 cylinder with knob, satin nickel, box	60	35	95	590220318250 5	0WKPRG06035.90050P		
PRO SYSTEM G60/35 cylinder with knob, brass, box	60	35	95	590220318251 2	0WKPRG06035.98050P		
PRO SYSTEM G60/40 cylinder with knob, satin nickel, box	60	40	100	590140751648 2	0WKPRG06040.90050P		
PRO SYSTEM G60/40 cylinder with knob, brass, box	60	40	100	590140751652 9	0WKPRG06040.98050P		
PRO SYSTEM G60/45 cylinder with knob, satin nickel, box	60	45	105	590220318252 9	0WKPRG06045.90050P		
PRO SYSTEM G60/45 cylinder with knob, brass, box	60	45	105	590220318253 6	0WKPRG06045.98050P		
PRO SYSTEM G60/50 cylinder with knob, satin nickel, box	60	50	110	590220318254 3	0WKPRG06050.90050P		
PRO SYSTEM G60/50 cylinder with knob, brass, box	60	50	110	590220318255 0	0WKPRG06050.98050P		
PRO SYSTEM G60/55 cylinder with knob, satin nickel, box	60	55	115	590220318256 7	0WKPRG06055.90050P		
PRO SYSTEM G60/55 cylinder with knob, brass, box	60	55	115	590220318257 4	0WKPRG06055.98050P		
PRO SYSTEM G60/60 cylinder with knob, satin nickel, box	60	60	120	590220318258 1	0WKPRG06060.90050P		
PRO SYSTEM G60/60 cylinder with knob, brass, box	60	60	120	590220318259 8	0WKPRG06060.98050P		
PRO SYSTEM G60/65 cylinder with knob, satin nickel, box	60	65	125	590220318260 4	0WKPRG06065.90050P		
PRO SYSTEM G60/65 cylinder with knob, brass, box	60	65	125	590220318261 1	0WKPRG06065.98050P		
PRO SYSTEM G60/70 cylinder with knob, satin nickel, box	60	70	130	590220318262 8	0WKPRG06070.90050P		
PRO SYSTEM G60/70 cylinder with knob, brass, box	60	70	130	590220318263 5	0WKPRG06070.98050P		
PRO SYSTEM G65/35 cylinder with knob, satin nickel, box	65	35	100	590220318248 2	0WKPRG06535.90050P		
PRO SYSTEM G65/35 cylinder with knob, brass, box	65	35	100	590220318249 9	0WKPRG06535.98050P		
PRO SYSTEM G65/40 cylinder with knob, satin nickel, box	65	40	105	590220318266 6	0WKPRG06540.90050P		
PRO SYSTEM G65/40 cylinder with knob, brass, box	65	40	105	590220318267 3	0WKPRG06540.98050P		
PRO SYSTEM G65/45 cylinder with knob, satin nickel, box	65	45	110	590220318268 0	0WKPRG06545.90050P		
PRO SYSTEM G65/45 cylinder with knob, brass, box	65	45	110	590220318269 7	0WKPRG06545.98050P		
PRO SYSTEM G65/50 cylinder with knob, satin nickel, box	65	50	115	590220318270 3	0WKPRG06550.90050P		
PRO SYSTEM G65/50 cylinder with knob, brass, box	65	50	115	590220318271 0	0WKPRG06550.98050P		

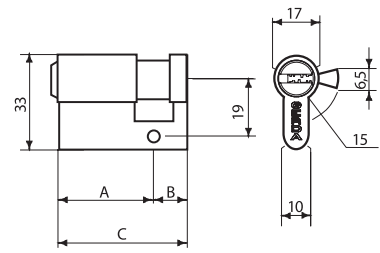
KNOB-KEY PRO SYSTEM

DESCRIPTION	DIMENSIONS (mm)			EAN CODE	INDEX	NET	GROSS
	A	B	C				
PRO SYSTEM G65/55 cylinder with knob, satin nickel, box	65	55	120	590220318272 7	0WKPRG06555.90050P		
PRO SYSTEM G65/55 cylinder with knob, brass, box	65	55	120	590220318273 4	0WKPRG06555.98050P		
PRO SYSTEM G65/60 cylinder with knob, satin nickel, box	65	60	125	590220318274 1	0WKPRG06560.90050P		
PRO SYSTEM G65/60 cylinder with knob, brass, box	65	60	125	590220318275 8	0WKPRG06560.98050P		
PRO SYSTEM G65/65 cylinder with knob, satin nickel, box	65	65	130	590220318276 5	0WKPRG06565.90050P		
PRO SYSTEM G65/65 cylinder with knob, brass, box	65	65	130	590220318277 2	0WKPRG06565.98050P		
PRO SYSTEM G70/30 cylinder with knob, satin nickel, box	70	30	100	590220318278 9	0WKPRG07030.90050P		
PRO SYSTEM G70/30 cylinder with knob, brass, box	70	30	100	590220318279 6	0WKPRG07030.98050P		
PRO SYSTEM G70/35 cylinder with knob, satin nickel, box	70	35	105	590220318280 2	0WKPRG07035.90050P		
PRO SYSTEM G70/35 cylinder with knob, brass, box	70	35	105	590220318281 9	0WKPRG07035.98050P		
PRO SYSTEM G70/40 cylinder with knob, satin nickel, box	70	40	110	590220318282 6	0WKPRG07040.90050P		
PRO SYSTEM G70/40 cylinder with knob, brass, box	70	40	110	590220318283 3	0WKPRG07040.98050P		
PRO SYSTEM G70/45 cylinder with knob, satin nickel, box	70	45	115	590220318284 0	0WKPRG07045.90050P		
PRO SYSTEM G70/45 cylinder with knob, brass, box	70	45	115	590220318285 7	0WKPRG07045.98050P		
PRO SYSTEM G70/50 cylinder with knob, satin nickel, box	70	50	120	590220317903 1	0WKPRG07050.90050P		
PRO SYSTEM G70/50 cylinder with knob, brass, box	70	50	120	590220317905 5	0WKPRG07050.98050P		
PRO SYSTEM G70/55 cylinder with knob, satin nickel, box	70	55	125	590220318286 4	0WKPRG07055.90050P		
PRO SYSTEM G70/55 cylinder with knob, brass, box	70	55	125	590220318287 1	0WKPRG07055.98050P		
PRO SYSTEM G70/60 cylinder with knob, satin nickel, box	70	60	130	590220318288 8	0WKPRG07060.90050P		
PRO SYSTEM G70/60 cylinder with knob, brass, box	70	60	130	590220318289 5	0WKPRG07060.98050P		
PRO SYSTEM G75/30 cylinder with knob, satin nickel, box	75	30	105	590220318290 1	0WKPRG07530.90050P		
PRO SYSTEM G75/30 cylinder with knob, brass, box	75	30	105	590220318291 8	0WKPRG07530.98050P		
PRO SYSTEM G75/35 cylinder with knob, satin nickel, box	75	35	110	590220318292 5	0WKPRG07535.90050P		
PRO SYSTEM G75/35 cylinder with knob, brass, box	75	35	110	590220318293 2	0WKPRG07535.98050P		
PRO SYSTEM G75/40 cylinder with knob, satin nickel, box	75	40	115	590220318294 9	0WKPRG07540.90050P		
PRO SYSTEM G75/40 cylinder with knob, brass, box	75	40	115	590220318295 6	0WKPRG07540.98050P		
PRO SYSTEM G75/45 cylinder with knob, satin nickel, box	75	45	120	590220318296 3	0WKPRG07545.90050P		
PRO SYSTEM G75/45 cylinder with knob, brass, box	75	45	120	590220318297 0	0WKPRG07545.98050P		
PRO SYSTEM G75/50 cylinder with knob, satin nickel, box	75	50	125	590220318298 7	0WKPRG07550.90050P		
PRO SYSTEM G75/50 cylinder with knob, brass, box	75	50	125	590220318299 4	0WKPRG07550.98050P		
PRO SYSTEM G75/55 cylinder with knob, satin nickel, box	75	55	130	590220318300 7	0WKPRG07555.90050P		
PRO SYSTEM G75/55 cylinder with knob, brass, box	75	55	130	590220318301 4	0WKPRG07555.98050P		
PRO SYSTEM G80/30 cylinder with knob, satin nickel, box	80	30	110	590220318302 1	0WKPRG08030.90050P		
PRO SYSTEM G80/30 cylinder with knob, brass, box	80	30	110	590220318303 8	0WKPRG08030.98050P		
PRO SYSTEM G80/35 cylinder with knob, satin nickel, box	80	35	115	590220318304 5	0WKPRG08035.90050P		
PRO SYSTEM G80/35 cylinder with knob, brass, box	80	35	115	590220318305 2	0WKPRG08035.98050P		
PRO SYSTEM G80/40 cylinder with knob, satin nickel, box	80	40	120	590220318306 9	0WKPRG08040.90050P		
PRO SYSTEM G80/40 cylinder with knob, brass, box	80	40	120	590220318307 6	0WKPRG08040.98050P		
PRO SYSTEM G80/45 cylinder with knob, satin nickel, box	80	45	125	590220318308 3	0WKPRG08045.90050P		
PRO SYSTEM G80/45 cylinder with knob, brass, box	80	45	125	590220318309 0	0WKPRG08045.98050P		
PRO SYSTEM G80/50 cylinder with knob, satin nickel, box	80	50	130	590220318310 6	0WKPRG08050.90050P		
PRO SYSTEM G80/50 cylinder with knob, brass, box	80	50	130	590220318311 3	0WKPRG08050.98050P		
PRO SYSTEM G85/30 cylinder with knob, satin nickel, box	85	30	115	590220318312 0	0WKPRG08530.90050P		
PRO SYSTEM G85/30 cylinder with knob, brass, box	85	30	115	590220318313 7	0WKPRG08530.98050P		
PRO SYSTEM G85/35 cylinder with knob, satin nickel, box	85	35	120	590220318314 4	0WKPRG08535.90050P		
PRO SYSTEM G85/35 cylinder with knob, brass, box	85	35	120	590220318315 1	0WKPRG08535.98050P		
PRO SYSTEM G85/40 cylinder with knob, satin nickel, box	85	40	125	590220318316 8	0WKPRG08540.90050P		
PRO SYSTEM G85/40 cylinder with knob, brass, box	85	40	125	590220318317 5	0WKPRG08540.98050P		
PRO SYSTEM G85/45 cylinder with knob, satin nickel, box	85	45	130	590220318318 2	0WKPRG08545.90050P		
PRO SYSTEM G85/45 cylinder with knob, brass, box	85	45	130	590220318319 9	0WKPRG08545.98050P		
PRO SYSTEM G90/30 cylinder with knob, satin nickel, box	90	30	120	590220318320 5	0WKPRG09030.90050P		
PRO SYSTEM G90/30 cylinder with knob, brass, box	90	30	120	590220318321 2	0WKPRG09030.98050P		
PRO SYSTEM G90/35 cylinder with knob, satin nickel, box	90	35	125	590220318322 9	0WKPRG09035.90050P		
PRO SYSTEM G90/35 cylinder with knob, brass, box	90	35	125	590220318323 6	0WKPRG09035.98050P		
PRO SYSTEM G90/40 cylinder with knob, satin nickel, box	90	40	130	590220318324 3	0WKPRG09040.90050P		

KNOB-KEY PRO SYSTEM

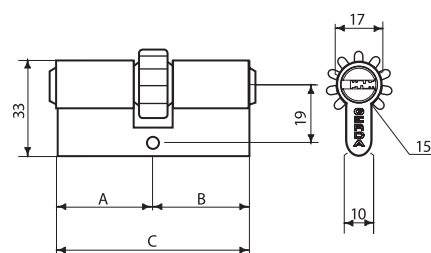
DESCRIPTION	DIMENSIONS (mm)			EAN CODE	INDEX	NET	GROSS
	A	B	C				
PRO SYSTEM G90/40 cylinder with knob, brass, box	90	40	130	590220318325 0	0WKPRG09040.98050P		
PRO SYSTEM G95/30 cylinder with knob, satin nickel, box	95	30	125	590220318326 7	0WKPRG09530.90050P		
PRO SYSTEM G95/30 cylinder with knob, brass, box	95	30	125	590220318327 4	0WKPRG09530.98050P		
PRO SYSTEM G95/35 cylinder with knob, satin nickel, box	95	35	130	590220318328 1	0WKPRG09535.90050P		
PRO SYSTEM G95/35 cylinder with knob, brass, box	95	35	130	590220318329 8	0WKPRG09535.98050P		
PRO SYSTEM G100/30 cylinder with knob, satin nickel, box	100	30	130	590220318330 4	0WKPRG00030.90050P		
PRO SYSTEM G100/30 cylinder with knob, brass, box	100	30	130	590220318331 1	0WKPRG00030.98050P		

PRO SYSTEM SEMI-CYLINDERS



DESCRIPTION	DIMENSIONS (mm)			EAN CODE	INDEX	NET	GROSS
	A	B	C				
PRO SYSTEM 30/10 satin nickel cylinder, box	30	10	40	590220318332 8	0WKPRS03010.90050P		
PRO SYSTEM 30/10 brass cylinder, box	30	10	40	590220318333 5	0WKPRS03010.98050P		
PRO SYSTEM 35/10 satin nickel cylinder, box	35	10	45	590220318803 3	0WKPRS03510.90050P		
PRO SYSTEM 35/10 brass cylinder, box	35	10	45	590220318804 0	0WKPRS03510.98050P		
PRO SYSTEM 40/10 satin nickel cylinder, box	40	10	50	590220318805 7	0WKPRS04010.90050P		
PRO SYSTEM 40/10 brass cylinder, box	40	10	50	590220318806 4	0WKPRS04010.98050P		
PRO SYSTEM 45/10 satin nickel cylinder, box	45	10	55	590220318807 1	0WKPRS04510.90050P		
PRO SYSTEM 45/10 brass cylinder, box	45	10	55	590220318808 8	0WKPRS04510.98050P		
PRO SYSTEM 50/10 satin nickel cylinder, box	50	10	60	590220318809 5	0WKPRS05010.90050P		
PRO SYSTEM 50/10 brass cylinder, box	50	10	60	590220318810 1	0WKPRS05010.98050P		
PRO SYSTEM 55/10 satin nickel cylinder, box	55	10	65	590220318811 8	0WKPRS05510.90050P		
PRO SYSTEM 55/10 brass cylinder, box	55	10	65	590220318812 5	0WKPRS05510.98050P		
PRO SYSTEM 60/10 satin nickel cylinder, box	60	10	70	590220318813 2	0WKPRS06010.90050P		
PRO SYSTEM 60/10 brass cylinder, box	60	10	70	590220318814 9	0WKPRS06010.98050P		
PRO SYSTEM 65/10 satin nickel cylinder, box	65	10	75	590220318815 6	0WKPRS06510.90050P		
PRO SYSTEM 65/10 brass cylinder, box	65	10	75	590220318816 3	0WKPRS06510.98050P		
PRO SYSTEM 70/10 satin nickel cylinder, box	70	10	80	590220318817 0	0WKPRS07010.90050P		
PRO SYSTEM 70/10 brass cylinder, box	70	10	80	590220318818 7	0WKPRS07010.98050P		
PRO SYSTEM 75/10 satin nickel cylinder, box	75	10	85	590220318819 4	0WKPRS07510.90050P		
PRO SYSTEM 75/10 brass cylinder, box	75	10	85	590220318820 0	0WKPRS07510.98050P		
PRO SYSTEM 80/10 satin nickel cylinder, box	80	10	90	590220318821 7	0WKPRS08010.90050P		
PRO SYSTEM 80/10 brass cylinder, box	80	10	90	590220318822 4	0WKPRS08010.98050P		
PRO SYSTEM 85/10 satin nickel cylinder, box	85	10	95	590220318823 1	0WKPRS08510.90050P		
PRO SYSTEM 85/10 brass cylinder, box	85	10	95	590220318824 8	0WKPRS08510.98050P		
PRO SYSTEM 90/10 satin nickel cylinder, box	90	10	100	590220318825 5	0WKPRS09010.90050P		
PRO SYSTEM 90/10 brass cylinder, box	90	10	100	590220318826 2	0WKPRS09010.98050P		
PRO SYSTEM 95/10 satin nickel cylinder, box	95	10	105	590220318827 9	0WKPRS09510.90050P		
PRO SYSTEM 95/10 brass cylinder, box	95	10	105	590220318828 6	0WKPRS09510.98050P		
PRO SYSTEM 100/10 satin nickel cylinder, box	100	10	110	590220318829 3	0WKPRS10010.90050P		
PRO SYSTEM 100/10 brass cylinder, box	100	10	110	590220318830 9	0WKPRS10010.98050P		
PRO SYSTEM 105/10 satin nickel cylinder, box	105	10	115	590220318831 6	0WKPRS10510.90050P		
PRO SYSTEM 105/10 brass cylinder, box	105	10	115	590220318832 3	0WKPRS10510.98050P		
PRO SYSTEM 110/10 satin nickel cylinder, box	110	10	120	590220318833 0	0WKPRS11010.90050P		
PRO SYSTEM 110/10 brass cylinder, box	110	10	120	590220318834 7	0WKPRS11010.98050P		
PRO SYSTEM 115/10 satin nickel cylinder, box	115	10	125	590220318835 4	0WKPRS11510.90050P		
PRO SYSTEM 115/10 brass cylinder, box	115	10	125	590220318836 1	0WKPRS11510.98050P		
PRO SYSTEM 120/10 satin nickel cylinder, box	120	10	130	590220318837 8	0WKPRS12010.90050P		
PRO SYSTEM 120/10 brass cylinder, box	120	10	130	590220318838 5	0WKPRS12010.98050P		

PINION KEY-KEY PRO SYSTEM



DESCRIPTION	DIMENSIONS (mm)			EAN CODE	INDEX	NET	GROSS
	A	B	C				
PRO SYSTEM Z 30/30 pinion cylinder, satin nickel, box	30	30	60	590220318441 7	0WKPRZ03030.90050P		
PRO SYSTEM Z 30/30 pinion cylinder, brass, box	30	30	60	590220318442 4	0WKPRZ03030.98050P		
PRO SYSTEM Z 30/35 pinion cylinder, satin nickel, box	30	35	65	590220318443 1	0WKPRZ03035.90050P		
PRO SYSTEM Z 30/35 pinion cylinder, brass, box	30	35	65	590220318444 8	0WKPRZ03035.98050P		
PRO SYSTEM Z 30/40 pinion cylinder, satin nickel, box	30	40	70	590140751540 9	0WKPRZ03040.90050P		
PRO SYSTEM Z 30/40 pinion cylinder, brass, box	30	40	70	590140751542 3	0WKPRZ03040.98050P		
PRO SYSTEM Z 30/45 pinion cylinder, satin nickel, box	30	45	75	590220318445 5	0WKPRZ03045.90050P		
PRO SYSTEM Z 30/45 pinion cylinder, brass, box	30	45	75	590220318446 2	0WKPRZ03045.98050P		
PRO SYSTEM Z 30/50 pinion cylinder, satin nickel, box	30	50	80	590140751682 6	0WKPRZ03050.90050P		
PRO SYSTEM Z 30/50 pinion cylinder, brass, box	30	50	80	590140751686 4	0WKPRZ03050.98050P		
PRO SYSTEM Z 30/55 pinion cylinder, satin nickel, box	30	55	85	590220318447 9	0WKPRZ03055.90050P		
PRO SYSTEM Z 30/55 pinion cylinder, brass, box	30	55	85	590220318448 6	0WKPRZ03055.98050P		
PRO SYSTEM Z 30/60 pinion cylinder, satin nickel, box	30	60	90	590220318449 3	0WKPRZ03060.90050P		
PRO SYSTEM Z 30/60 pinion cylinder, brass, box	30	60	90	590220318450 9	0WKPRZ03060.98050P		
PRO SYSTEM Z 30/65 pinion cylinder, satin nickel, box	30	65	95	590220318451 6	0WKPRZ03065.90050P		
PRO SYSTEM Z 30/65 pinion cylinder, brass, box	30	65	95	590220318452 3	0WKPRZ03065.98050P		
PRO SYSTEM Z 30/70 pinion cylinder, satin nickel, box	30	70	100	590220318453 0	0WKPRZ03070.90050P		
PRO SYSTEM Z 30/70 pinion cylinder, brass, box	30	70	100	590220318454 7	0WKPRZ03070.98050P		
PRO SYSTEM Z 30/75 pinion cylinder, satin nickel, box	30	75	105	590220318455 4	0WKPRZ03075.90050P		
PRO SYSTEM Z 30/75 pinion cylinder, brass, box	30	75	105	590220318456 1	0WKPRZ03075.98050P		
PRO SYSTEM Z 30/80 pinion cylinder, satin nickel, box	30	80	110	590220318457 8	0WKPRZ03080.90050P		
PRO SYSTEM Z 30/80 pinion cylinder, brass, box	30	80	110	590220318458 5	0WKPRZ03080.98050P		
PRO SYSTEM Z 30/85 pinion cylinder, satin nickel, box	30	85	115	590220318459 2	0WKPRZ03085.90050P		
PRO SYSTEM Z 30/85 pinion cylinder, brass, box	30	85	115	590220318460 8	0WKPRZ03085.98050P		
PRO SYSTEM Z 30/90 pinion cylinder, satin nickel, box	30	90	120	590220318461 5	0WKPRZ03090.90050P		
PRO SYSTEM Z 30/90 pinion cylinder, brass, box	30	90	120	590220318462 2	0WKPRZ03090.98050P		
PRO SYSTEM Z 30/95 pinion cylinder, satin nickel, box	30	95	125	590220318463 9	0WKPRZ03095.90050P		
PRO SYSTEM Z 30/95 pinion cylinder, brass, box	30	95	125	590220318464 6	0WKPRZ03095.98050P		
PRO SYSTEM Z 30/00 pinion cylinder, satin nickel, box	30	100	130	590220318465 3	0WKPRZ03000.90050P		
PRO SYSTEM Z 30/00 pinion cylinder, brass, box	30	100	130	590220318466 0	0WKPRZ03000.98050P		
PRO SYSTEM Z 35/35 pinion cylinder, satin nickel, box	35	35	70	590220318467 7	0WKPRZ03535.90050P		
PRO SYSTEM Z 35/35 pinion cylinder, brass, box	35	35	70	590220318468 4	0WKPRZ03535.98050P		
PRO SYSTEM Z 35/40 pinion cylinder, satin nickel, box	35	40	75	590220317810 2	0WKPRZ03540.90050P		
PRO SYSTEM Z 35/40 pinion cylinder, brass, box	35	40	75	590220318469 1	0WKPRZ03540.98050P		
PRO SYSTEM Z 35/45 pinion cylinder, satin nickel, box	35	45	80	590220318470 7	0WKPRZ03545.90050P		
PRO SYSTEM Z 35/45 pinion cylinder, brass, box	35	45	80	590220318471 4	0WKPRZ03545.98050P		
PRO SYSTEM Z 35/50 pinion cylinder, satin nickel, box	35	50	85	590140751688 8	0WKPRZ03550.90050P		
PRO SYSTEM Z 35/50 pinion cylinder, brass, box	35	50	85	590140751692 5	0WKPRZ03550.98050P		
PRO SYSTEM Z 35/55 pinion cylinder, satin nickel, box	35	55	90	590220318472 1	0WKPRZ03555.90050P		
PRO SYSTEM Z 35/55 pinion cylinder, brass, box	35	55	90	590220318473 8	0WKPRZ03555.98050P		
PRO SYSTEM Z 35/60 pinion cylinder, satin nickel, box	35	60	95	590220318474 5	0WKPRZ03560.90050P		
PRO SYSTEM Z 35/60 pinion cylinder, brass, box	35	60	95	590220318475 2	0WKPRZ03560.98050P		
PRO SYSTEM Z 35/65 pinion cylinder, satin nickel, box	35	65	100	590220318476 9	0WKPRZ03565.90050P		
PRO SYSTEM Z 35/65 pinion cylinder, brass, box	35	65	100	590220318477 6	0WKPRZ03565.98050P		

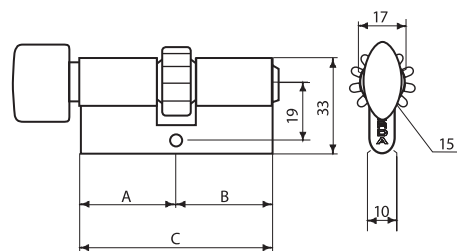
PINION KEY-KEY PRO SYSTEM

DESCRIPTION	DIMENSIONS (mm)			EAN CODE	INDEX	NET	GROSS
	A	B	C				
PRO SYSTEM Z 35/70 pinion cylinder, satin nickel, box	35	70	105	590220318478 3	0WKPRZ03570.90050P		
PRO SYSTEM Z 35/70 pinion cylinder, brass, box	35	70	105	590220318479 0	0WKPRZ03570.98050P		
PRO SYSTEM Z 35/75 pinion cylinder, satin nickel, box	35	75	110	590220318480 6	0WKPRZ03575.90050P		
PRO SYSTEM Z 35/75 pinion cylinder, brass, box	35	75	110	590220318481 3	0WKPRZ03575.98050P		
PRO SYSTEM Z 35/80 pinion cylinder, satin nickel, box	35	80	115	590220318482 0	0WKPRZ03580.90050P		
PRO SYSTEM Z 35/80 pinion cylinder, brass, box	35	80	115	590220318483 7	0WKPRZ03580.98050P		
PRO SYSTEM Z 35/85 pinion cylinder, satin nickel, box	35	85	120	590220318484 4	0WKPRZ03585.90050P		
PRO SYSTEM Z 35/85 pinion cylinder, brass, box	35	85	120	590220318485 1	0WKPRZ03585.98050P		
PRO SYSTEM Z 35/90 pinion cylinder, satin nickel, box	35	90	125	590220318486 8	0WKPRZ03590.90050P		
PRO SYSTEM Z 35/90 pinion cylinder, brass, box	35	90	125	590220318487 5	0WKPRZ03590.98050P		
PRO SYSTEM Z 35/95 pinion cylinder, satin nickel, box	35	95	130	590220318488 2	0WKPRZ03595.90050P		
PRO SYSTEM Z 35/95 pinion cylinder, brass, box	35	95	130	590220318489 9	0WKPRZ03595.98050P		
PRO SYSTEM Z 40/40 pinion cylinder, satin nickel, box	40	40	80	590220318490 5	0WKPRZ04040.90050P		
PRO SYSTEM Z 40/40 pinion cylinder, brass, box	40	40	80	590220318491 2	0WKPRZ04040.98050P		
PRO SYSTEM Z 40/45 pinion cylinder, satin nickel, box	40	45	85	590220318492 9	0WKPRZ04045.90050P		
PRO SYSTEM Z 40/45 pinion cylinder, brass, box	40	45	85	590220318493 6	0WKPRZ04045.98050P		
PRO SYSTEM Z 40/50 pinion cylinder, satin nickel, box	40	50	90	590220318494 3	0WKPRZ04050.90050P		
PRO SYSTEM Z 40/50 pinion cylinder, brass, box	40	50	90	590220318495 0	0WKPRZ04050.98050P		
PRO SYSTEM Z 40/55 pinion cylinder, satin nickel, box	40	55	95	590220318496 7	0WKPRZ04055.90050P		
PRO SYSTEM Z 40/55 pinion cylinder, brass, box	40	55	95	590220318497 4	0WKPRZ04055.98050P		
PRO SYSTEM Z 40/60 pinion cylinder, satin nickel, box	40	60	100	590140751694 9	0WKPRZ04060.90050P		
PRO SYSTEM Z 40/60 pinion cylinder, brass, box	40	60	100	590140751698 7	0WKPRZ04060.98050P		
PRO SYSTEM Z 40/65 pinion cylinder, satin nickel, box	40	65	105	590220318498 1	0WKPRZ04065.90050P		
PRO SYSTEM Z 40/65 pinion cylinder, brass, box	40	65	105	590220318499 8	0WKPRZ04065.98050P		
PRO SYSTEM Z 40/70 pinion cylinder, satin nickel, box	40	70	110	590220318500 1	0WKPRZ04070.90050P		
PRO SYSTEM Z 40/70 pinion cylinder, brass, box	40	70	110	590220318501 8	0WKPRZ04070.98050P		
PRO SYSTEM Z 40/75 pinion cylinder, satin nickel, box	40	75	115	590220318502 5	0WKPRZ04075.90050P		
PRO SYSTEM Z 40/75 pinion cylinder, brass, box	40	75	115	590220318503 2	0WKPRZ04075.98050P		
PRO SYSTEM Z 40/80 pinion cylinder, satin nickel, box	40	80	120	590220318504 9	0WKPRZ04080.90050P		
PRO SYSTEM Z 40/80 pinion cylinder, brass, box	40	80	120	590220318505 6	0WKPRZ04080.98050P		
PRO SYSTEM Z 40/85 pinion cylinder, satin nickel, box	40	85	125	590220318506 3	0WKPRZ04085.90050P		
PRO SYSTEM Z 40/85 pinion cylinder, brass, box	40	85	125	590220318507 0	0WKPRZ04085.98050P		
PRO SYSTEM Z 40/90 pinion cylinder, satin nickel, box	40	90	130	590220318508 7	0WKPRZ04090.90050P		
PRO SYSTEM Z 40/90 pinion cylinder, brass, box	40	90	130	590220318509 4	0WKPRZ04090.98050P		
PRO SYSTEM Z 45/45 pinion cylinder, satin nickel, box	45	45	90	590220318510 0	0WKPRZ04545.90050P		
PRO SYSTEM Z 45/45 pinion cylinder, brass, box	45	45	90	590220318511 7	0WKPRZ04545.98050P		
PRO SYSTEM Z 45/50 pinion cylinder, satin nickel, box	45	50	95	590220318512 4	0WKPRZ04550.90050P		
PRO SYSTEM Z 45/50 pinion cylinder, brass, box	45	50	95	590220318513 1	0WKPRZ04550.98050P		
PRO SYSTEM Z 45/55 pinion cylinder, satin nickel, box	45	55	100	590220318514 8	0WKPRZ04555.90050P		
PRO SYSTEM Z 45/55 pinion cylinder, brass, box	45	55	100	590220318515 5	0WKPRZ04555.98050P		
PRO SYSTEM Z 45/60 pinion cylinder, satin nickel, box	45	60	105	590220318516 2	0WKPRZ04560.90050P		
PRO SYSTEM Z 45/60 pinion cylinder, brass, box	45	60	105	590220318517 9	0WKPRZ04560.98050P		
PRO SYSTEM Z 45/65 pinion cylinder, satin nickel, box	45	65	110	590220318518 6	0WKPRZ04565.90050P		
PRO SYSTEM Z 45/65 pinion cylinder, brass, box	45	65	110	590220318519 3	0WKPRZ04565.98050P		
PRO SYSTEM Z 45/70 pinion cylinder, satin nickel, box	45	70	115	590220318520 9	0WKPRZ04570.90050P		
PRO SYSTEM Z 45/70 pinion cylinder, brass, box	45	70	115	590220318521 6	0WKPRZ04570.98050P		
PRO SYSTEM Z 45/75 pinion cylinder, satin nickel, box	45	75	120	590220318522 3	0WKPRZ04575.90050P		
PRO SYSTEM Z 45/75 pinion cylinder, brass, box	45	75	120	590220318523 0	0WKPRZ04575.98050P		
PRO SYSTEM Z 45/80 pinion cylinder, satin nickel, box	45	80	125	590220318524 7	0WKPRZ04580.90050P		
PRO SYSTEM Z 45/80 pinion cylinder, brass, box	45	80	125	590220318525 4	0WKPRZ04580.98050P		
PRO SYSTEM Z 45/85 pinion cylinder, satin nickel, box	45	85	130	590220318526 1	0WKPRZ04585.90050P		
PRO SYSTEM Z 45/85 pinion cylinder, brass, box	45	85	130	590220318527 8	0WKPRZ04585.98050P		
PRO SYSTEM Z 50/50 pinion cylinder, satin nickel, box	50	50	100	590220318528 5	0WKPRZ05050.90050P		
PRO SYSTEM Z 50/50 pinion cylinder, brass, box	50	50	100	590220318529 2	0WKPRZ05050.98050P		
PRO SYSTEM Z 50/55 pinion cylinder, satin nickel, box	50	55	105	590220318530 8	0WKPRZ05055.90050P		

PINION KEY-KEY PRO SYSTEM

DESCRIPTION	DIMENSIONS (mm)			EAN CODE	INDEX	NET	GROSS
	A	B	C				
PRO SYSTEM Z 50/55 pinion cylinder, brass, box	50	55	105	590220318531 5	0WKPRZ05055.98050P		
PRO SYSTEM Z 50/60 pinion cylinder, satin nickel, box	50	60	110	590220318532 2	0WKPRZ05060.90050P		
PRO SYSTEM Z 50/60 pinion cylinder, brass, box	50	60	110	590220318533 9	0WKPRZ05060.98050P		
PRO SYSTEM Z 50/65 pinion cylinder, satin nickel, box	50	65	115	590220318534 6	0WKPRZ05065.90050P		
PRO SYSTEM Z 50/65 pinion cylinder, brass, box	50	65	115	590220318535 3	0WKPRZ05065.98050P		
PRO SYSTEM Z 50/70 pinion cylinder, satin nickel, box	50	70	120	590220318536 0	0WKPRZ05070.90050P		
PRO SYSTEM Z 50/70 pinion cylinder, brass, box	50	70	120	590220318537 7	0WKPRZ05070.98050P		
PRO SYSTEM Z 50/75 pinion cylinder, satin nickel, box	50	75	125	590220318538 4	0WKPRZ05075.90050P		
PRO SYSTEM Z 50/75 pinion cylinder, brass, box	50	75	125	590220318539 1	0WKPRZ05075.98050P		
PRO SYSTEM Z 50/80 pinion cylinder, satin nickel, box	50	80	130	590220318540 7	0WKPRZ05080.90050P		
PRO SYSTEM Z 50/80 pinion cylinder, brass, box	50	80	130	590220318541 4	0WKPRZ05080.98050P		
PRO SYSTEM Z 55/55 pinion cylinder, satin nickel, box	55	55	110	590220318542 1	0WKPRZ05555.90050P		
PRO SYSTEM Z 55/55 pinion cylinder, brass, box	55	55	110	590220318543 8	0WKPRZ05555.98050P		
PRO SYSTEM Z 55/60 pinion cylinder, satin nickel, box	55	60	115	590220318544 5	0WKPRZ05560.90050P		
PRO SYSTEM Z 55/60 pinion cylinder, brass, box	55	60	115	590220318545 2	0WKPRZ05560.98050P		
PRO SYSTEM Z 55/65 pinion cylinder, satin nickel, box	55	65	120	590220318546 9	0WKPRZ05565.90050P		
PRO SYSTEM Z 55/65 pinion cylinder, brass, box	55	65	120	590220318547 6	0WKPRZ05565.98050P		
PRO SYSTEM Z 55/70 pinion cylinder, satin nickel, box	55	70	125	590220318548 3	0WKPRZ05570.90050P		
PRO SYSTEM Z 55/70 pinion cylinder, brass, box	55	70	125	590220318549 0	0WKPRZ05570.98050P		
PRO SYSTEM Z 55/75 pinion cylinder, satin nickel, box	55	75	130	590220318550 6	0WKPRZ05575.90050P		
PRO SYSTEM Z 55/75 pinion cylinder, brass, box	55	75	130	590220318551 3	0WKPRZ05575.98050P		
PRO SYSTEM Z 60/60 pinion cylinder, satin nickel, box	60	60	120	590220318552 0	0WKPRZ06060.90050P		
PRO SYSTEM Z 60/60 pinion cylinder, brass, box	60	60	120	590220318553 7	0WKPRZ06060.98050P		
PRO SYSTEM Z 60/65 pinion cylinder, satin nickel, box	60	65	125	590220318554 4	0WKPRZ06065.90050P		
PRO SYSTEM Z 60/65 pinion cylinder, brass, box	60	65	125	590220318555 1	0WKPRZ06065.98050P		
PRO SYSTEM Z 60/70 pinion cylinder, satin nickel, box	60	70	130	590220318556 8	0WKPRZ06070.90050P		
PRO SYSTEM Z 60/70 pinion cylinder, brass, box	60	70	130	590220318557 5	0WKPRZ06070.98050P		
PRO SYSTEM Z 65/65 pinion cylinder, satin nickel, box	65	65	130	590220318558 2	0WKPRZ06565.90050P		
PRO SYSTEM Z 65/65 pinion cylinder, brass, box	65	65	130	590220318559 9	0WKPRZ06565.98050P		

PINION KNOB-KEY PRO SYSTEM



DESCRIPTION	DIMENSIONS (mm)			EAN CODE	INDEX	NET	GROSS
	A	B	C				
PRO SYSTEM ZG30/30 pinion cylinder with knob, satin nickel, box	30	30	60	590220318561 2	0WKPRZG3030.90050P		
PRO SYSTEM ZG30/30 pinion cylinder with knob, brass, box	30	30	60	590220318562 9	0WKPRZG3030.98050P		
PRO SYSTEM ZG30/35 pinion cylinder with knob, satin nickel, box	30	35	65	590220318563 6	0WKPRZG3035.90050P		
PRO SYSTEM ZG30/35 pinion cylinder with knob, brass, box	30	35	65	590220318564 3	0WKPRZG3035.98050P		
PRO SYSTEM ZG30/40 pinion cylinder with knob, satin nickel, box	30	40	70	590220318565 0	0WKPRZG3040.90050P		
PRO SYSTEM ZG30/40 pinion cylinder with knob, brass, box	30	40	70	590220318566 7	0WKPRZG3040.98050P		
PRO SYSTEM ZG30/45 pinion cylinder with knob, satin nickel, box	30	45	75	590220318567 4	0WKPRZG3045.90050P		
PRO SYSTEM ZG30/45 pinion cylinder with knob, brass, box	30	45	75	590220318568 1	0WKPRZG3045.98050P		
PRO SYSTEM ZG30/50 pinion cylinder with knob, satin nickel, box	30	50	80	590220318569 8	0WKPRZG3050.90050P		
PRO SYSTEM ZG30/50 pinion cylinder with knob, brass, box	30	50	80	590220318570 4	0WKPRZG3050.98050P		
PRO SYSTEM ZG30/55 pinion cylinder with knob, satin nickel, box	30	55	85	590220318571 1	0WKPRZG3055.90050P		
PRO SYSTEM ZG30/55 pinion cylinder with knob, brass, box	30	55	85	590220318572 8	0WKPRZG3055.98050P		
PRO SYSTEM ZG30/60 pinion cylinder with knob, satin nickel, box	30	60	90	590220318573 5	0WKPRZG3060.90050P		
PRO SYSTEM ZG30/60 pinion cylinder with knob, brass, box	30	60	90	590220318574 2	0WKPRZG3060.98050P		
PRO SYSTEM ZG30/65 pinion cylinder with knob, satin nickel, box	30	65	95	590220318575 9	0WKPRZG3065.90050P		
PRO SYSTEM ZG30/65 pinion cylinder with knob, brass, box	30	65	95	590220318576 6	0WKPRZG3065.98050P		
PRO SYSTEM ZG30/70 pinion cylinder with knob, satin nickel, box	30	70	100	590220318577 3	0WKPRZG3070.90050P		
PRO SYSTEM ZG30/70 pinion cylinder with knob, brass, box	30	70	100	590220318578 0	0WKPRZG3070.98050P		
PRO SYSTEM ZG30/75 pinion cylinder with knob, satin nickel, box	30	75	105	590220318579 7	0WKPRZG3075.90050P		
PRO SYSTEM ZG30/75 pinion cylinder with knob, brass, box	30	75	105	590220318580 3	0WKPRZG3075.98050P		
PRO SYSTEM ZG30/80 pinion cylinder with knob, satin nickel, box	30	80	110	590220318581 0	0WKPRZG3080.90050P		
PRO SYSTEM ZG30/80 pinion cylinder with knob, brass, box	30	80	110	590220318582 7	0WKPRZG3080.98050P		
PRO SYSTEM ZG30/85 pinion cylinder with knob, satin nickel, box	30	85	115	590220318583 4	0WKPRZG3085.90050P		
PRO SYSTEM ZG30/85 pinion cylinder with knob, brass, box	30	85	115	590220318584 1	0WKPRZG3085.98050P		
PRO SYSTEM ZG30/90 pinion cylinder with knob, satin nickel, box	30	90	120	590220318585 8	0WKPRZG3090.90050P		
PRO SYSTEM ZG30/90 pinion cylinder with knob, brass, box	30	90	120	590220318586 5	0WKPRZG3090.98050P		
PRO SYSTEM ZG30/95 pinion cylinder with knob, satin nickel, box	30	95	125	590220318587 2	0WKPRZG3095.90050P		
PRO SYSTEM ZG30/95 pinion cylinder with knob, brass, box	30	95	125	590220318588 9	0WKPRZG3095.98050P		
PRO SYSTEM ZG30/00 pinion cylinder with knob, satin nickel, box	30	00	30	590220318589 6	0WKPRZG3000.90050P		
PRO SYSTEM ZG30/00 pinion cylinder with knob, brass, box	30	00	30	590220318590 2	0WKPRZG3000.98050P		
PRO SYSTEM ZG35/30 pinion cylinder with knob, satin nickel, box	35	30	65	590220318591 9	0WKPRZG3530.90050P		
PRO SYSTEM ZG35/30 pinion cylinder with knob, brass, box	35	30	65	590220318592 6	0WKPRZG3530.98050P		
PRO SYSTEM ZG35/35 pinion cylinder with knob, satin nickel, box	35	35	70	590220318593 3	0WKPRZG3535.90050P		
PRO SYSTEM ZG35/35 pinion cylinder with knob, brass, box	35	35	70	590220318594 0	0WKPRZG3535.98050P		
PRO SYSTEM ZG35/40 pinion cylinder with knob, satin nickel, box	35	40	75	590220318595 7	0WKPRZG3540.90050P		
PRO SYSTEM ZG35/40 pinion cylinder with knob, brass, box	35	40	75	590220318596 4	0WKPRZG3540.98050P		
PRO SYSTEM ZG35/45 pinion cylinder with knob, satin nickel, box	35	45	80	590220318597 1	0WKPRZG3545.90050P		
PRO SYSTEM ZG35/45 pinion cylinder with knob, brass, box	35	45	80	590220318598 8	0WKPRZG3545.98050P		
PRO SYSTEM ZG35/50 pinion cylinder with knob, satin nickel, box	35	50	85	590220318599 5	0WKPRZG3550.90050P		
PRO SYSTEM ZG35/50 pinion cylinder with knob, brass, box	35	50	85	590220318600 8	0WKPRZG3550.98050P		
PRO SYSTEM ZG35/55 pinion cylinder with knob, satin nickel, box	35	55	90	590220318601 5	0WKPRZG3555.90050P		
PRO SYSTEM ZG35/55 pinion cylinder with knob, brass, box	35	55	90	590220318602 2	0WKPRZG3555.98050P		
PRO SYSTEM ZG35/60 pinion cylinder with knob, satin nickel, box	35	60	95	590220318603 9	0WKPRZG3560.90050P		
PRO SYSTEM ZG35/60 pinion cylinder with knob, brass, box	35	60	95	590220318604 6	0WKPRZG3560.98050P		

PINION KNOB-KEY PRO SYSTEM

DESCRIPTION	DIMENSIONS (mm)			EAN CODE	INDEX	NET	GROSS
	A	B	C				
PRO SYSTEM ZG35/65 pinion cylinder with knob, satin nickel, box	35	65	100	590220318605 3	0WKPRZG3565.90050P		
PRO SYSTEM ZG35/65 pinion cylinder with knob, brass, box	35	65	100	590220318606 0	0WKPRZG3565.98050P		
PRO SYSTEM ZG35/70 pinion cylinder with knob, satin nickel, box	35	70	105	590220318607 7	0WKPRZG3570.90050P		
PRO SYSTEM ZG35/70 pinion cylinder with knob, brass, box	35	70	105	590220318608 4	0WKPRZG3570.98050P		
PRO SYSTEM ZG35/75 pinion cylinder with knob, satin nickel, box	35	75	110	590220318609 1	0WKPRZG3575.90050P		
PRO SYSTEM ZG35/75 pinion cylinder with knob, brass, box	35	75	110	590220318610 7	0WKPRZG3575.98050P		
PRO SYSTEM ZG35/80 pinion cylinder with knob, satin nickel, box	35	80	115	590220318611 4	0WKPRZG3580.90050P		
PRO SYSTEM ZG35/80 pinion cylinder with knob, brass, box	35	80	115	590220318612 1	0WKPRZG3580.98050P		
PRO SYSTEM ZG35/85 pinion cylinder with knob, satin nickel, box	35	85	120	590220318613 8	0WKPRZG3585.90050P		
PRO SYSTEM ZG35/85 pinion cylinder with knob, brass, box	35	85	120	590220318614 5	0WKPRZG3585.98050P		
PRO SYSTEM ZG35/90 pinion cylinder with knob, satin nickel, box	35	90	125	590220318615 2	0WKPRZG3590.90050P		
PRO SYSTEM ZG35/90 pinion cylinder with knob, brass, box	35	90	125	590220318616 9	0WKPRZG3590.98050P		
PRO SYSTEM ZG35/95 pinion cylinder with knob, satin nickel, box	35	95	130	590220318617 6	0WKPRZG3595.90050P		
PRO SYSTEM ZG35/95 pinion cylinder with knob, brass, box	35	95	130	590220318618 3	0WKPRZG3595.98050P		
PRO SYSTEM ZG40/30 pinion cylinder with knob, satin nickel, box	40	30	70	590220318619 0	0WKPRZG4030.90050P		
PRO SYSTEM ZG40/30 pinion cylinder with knob, brass, box	40	30	70	590220318620 6	0WKPRZG4030.98050P		
PRO SYSTEM ZG40/35 pinion cylinder with knob, satin nickel, box	40	35	75	590220318621 3	0WKPRZG4035.90050P		
PRO SYSTEM ZG40/35 pinion cylinder with knob, brass, box	40	35	75	590220318622 0	0WKPRZG4035.98050P		
PRO SYSTEM ZG40/40 pinion cylinder with knob, satin nickel, box	40	40	80	590220318623 7	0WKPRZG4040.90050P		
PRO SYSTEM ZG40/40 pinion cylinder with knob, brass, box	40	40	80	590220318624 4	0WKPRZG4040.98050P		
PRO SYSTEM ZG40/45 pinion cylinder with knob, satin nickel, box	40	45	85	590220318625 1	0WKPRZG4045.90050P		
PRO SYSTEM ZG40/45 pinion cylinder with knob, brass, box	40	45	85	590220318626 8	0WKPRZG4045.98050P		
PRO SYSTEM ZG40/50 pinion cylinder with knob, satin nickel, box	40	50	90	590220318627 5	0WKPRZG4050.90050P		
PRO SYSTEM ZG40/50 pinion cylinder with knob, brass, box	40	50	90	590220318628 2	0WKPRZG4050.98050P		
PRO SYSTEM ZG40/55 pinion cylinder with knob, satin nickel, box	40	55	95	590220318629 9	0WKPRZG4055.90050P		
PRO SYSTEM ZG40/55 pinion cylinder with knob, brass, box	40	55	95	590220318630 5	0WKPRZG4055.98050P		
PRO SYSTEM ZG40/60 pinion cylinder with knob, satin nickel, box	40	60	100	590220318631 2	0WKPRZG4060.90050P		
PRO SYSTEM ZG40/60 pinion cylinder with knob, brass, box	40	60	100	590220318632 9	0WKPRZG4060.98050P		
PRO SYSTEM ZG40/65 pinion cylinder with knob, satin nickel, box	40	65	105	590220318633 6	0WKPRZG4065.90050P		
PRO SYSTEM ZG40/65 pinion cylinder with knob, brass, box	40	65	105	590220318634 3	0WKPRZG4065.98050P		
PRO SYSTEM ZG40/70 pinion cylinder with knob, satin nickel, box	40	70	110	590220318635 0	0WKPRZG4070.90050P		
PRO SYSTEM ZG40/70 pinion cylinder with knob, brass, box	40	70	110	590220318636 7	0WKPRZG4070.98050P		
PRO SYSTEM ZG40/75 pinion cylinder with knob, satin nickel, box	40	75	115	590220318637 4	0WKPRZG4075.90050P		
PRO SYSTEM ZG40/75 pinion cylinder with knob, brass, box	40	75	115	590220318638 1	0WKPRZG4075.98050P		
PRO SYSTEM ZG40/80 pinion cylinder with knob, satin nickel, box	40	80	120	590220318639 8	0WKPRZG4080.90050P		
PRO SYSTEM ZG40/80 pinion cylinder with knob, brass, box	40	80	120	590220318640 4	0WKPRZG4080.98050P		
PRO SYSTEM ZG40/85 pinion cylinder with knob, satin nickel, box	40	85	125	590220318641 1	0WKPRZG4085.90050P		
PRO SYSTEM ZG40/85 pinion cylinder with knob, brass, box	40	85	125	590220318642 8	0WKPRZG4085.98050P		
PRO SYSTEM ZG40/90 pinion cylinder with knob, satin nickel, box	40	90	130	590220318643 5	0WKPRZG4090.90050P		
PRO SYSTEM ZG40/90 pinion cylinder with knob, brass, box	40	90	130	590220318644 2	0WKPRZG4090.98050P		
PRO SYSTEM ZG45/30 pinion cylinder with knob, satin nickel, box	45	30	75	590220318645 9	0WKPRZG4530.90050P		
PRO SYSTEM ZG45/30 pinion cylinder with knob, brass, box	45	30	75	590220318646 6	0WKPRZG4530.98050P		
PRO SYSTEM ZG45/35 pinion cylinder with knob, satin nickel, box	45	35	80	590220318647 3	0WKPRZG4535.90050P		
PRO SYSTEM ZG45/35 pinion cylinder with knob, brass, box	45	35	80	590220318648 0	0WKPRZG4535.98050P		
PRO SYSTEM ZG45/40 pinion cylinder with knob, satin nickel, box	45	40	85	590220318649 7	0WKPRZG4540.90050P		
PRO SYSTEM ZG45/40 pinion cylinder with knob, brass, box	45	40	85	590220318650 3	0WKPRZG4540.98050P		
PRO SYSTEM ZG45/45 pinion cylinder with knob, satin nickel, box	45	45	90	590220318651 0	0WKPRZG4545.90050P		
PRO SYSTEM ZG45/45 pinion cylinder with knob, brass, box	45	45	90	590220318652 7	0WKPRZG4545.98050P		
PRO SYSTEM ZG45/50 pinion cylinder with knob, satin nickel, box	45	50	95	590220318653 4	0WKPRZG4550.90050P		
PRO SYSTEM ZG45/50 pinion cylinder with knob, brass, box	45	50	95	590220318654 1	0WKPRZG4550.98050P		
PRO SYSTEM ZG45/55 pinion cylinder with knob, satin nickel, box	45	55	100	590220318655 8	0WKPRZG4555.90050P		
PRO SYSTEM ZG45/55 pinion cylinder with knob, brass, box	45	55	100	590220318656 5	0WKPRZG4555.98050P		
PRO SYSTEM ZG45/60 pinion cylinder with knob, satin nickel, box	45	60	105	590220318657 2	0WKPRZG4560.90050P		
PRO SYSTEM ZG45/60 pinion cylinder with knob, brass, box	45	60	105	590220318658 9	0WKPRZG4560.98050P		
PRO SYSTEM ZG45/65 pinion cylinder with knob, satin nickel, box	45	65	110	590220318659 6	0WKPRZG4565.90050P		

PINION KNOB-KEY PRO SYSTEM

DESCRIPTION	DIMENSIONS (mm)			EAN CODE	INDEX	NET	GROSS
	A	B	C				
PRO SYSTEM ZG45/65 pinion cylinder with knob, brass, box	45	65	110	590220318660 2	0WKPRZG4565.98050P		
PRO SYSTEM ZG45/70 pinion cylinder with knob, satin nickel, box	45	70	115	590220318661 9	0WKPRZG4570.90050P		
PRO SYSTEM ZG45/70 pinion cylinder with knob, brass, box	45	70	115	590220318662 6	0WKPRZG4570.98050P		
PRO SYSTEM ZG45/75 pinion cylinder with knob, satin nickel, box	45	75	120	590220318663 3	0WKPRZG4575.90050P		
PRO SYSTEM ZG45/75 pinion cylinder with knob, brass, box	45	75	120	590220318664 0	0WKPRZG4575.98050P		
PRO SYSTEM ZG45/80 pinion cylinder with knob, satin nickel, box	45	80	125	590220318665 7	0WKPRZG4580.90050P		
PRO SYSTEM ZG45/80 pinion cylinder with knob, brass, box	45	80	125	590220318666 4	0WKPRZG4580.98050P		
PRO SYSTEM ZG45/85 pinion cylinder with knob, satin nickel, box	45	85	130	590220318667 1	0WKPRZG4585.90050P		
PRO SYSTEM ZG45/85 pinion cylinder with knob, brass, box	45	85	130	590220318668 8	0WKPRZG4585.98050P		
PRO SYSTEM ZG50/30 pinion cylinder with knob, satin nickel, box	50	30	80	590220318669 5	0WKPRZG5030.90050P		
PRO SYSTEM ZG50/30 pinion cylinder with knob, brass, box	50	30	80	590220318670 1	0WKPRZG5030.98050P		
PRO SYSTEM ZG50/35 pinion cylinder with knob, satin nickel, box	50	35	85	590220318671 8	0WKPRZG5035.90050P		
PRO SYSTEM ZG50/35 pinion cylinder with knob, brass, box	50	35	85	590220318672 5	0WKPRZG5035.98050P		
PRO SYSTEM ZG50/40 pinion cylinder with knob, satin nickel, box	50	40	90	590220318673 2	0WKPRZG5040.90050P		
PRO SYSTEM ZG50/40 pinion cylinder with knob, brass, box	50	40	90	590220318674 9	0WKPRZG5040.98050P		
PRO SYSTEM ZG50/45 pinion cylinder with knob, satin nickel, box	50	45	95	590220318675 6	0WKPRZG5045.90050P		
PRO SYSTEM ZG50/45 pinion cylinder with knob, brass, box	50	45	95	590220318676 3	0WKPRZG5045.98050P		
PRO SYSTEM ZG50/50 pinion cylinder with knob, satin nickel, box	50	50	100	590220318677 0	0WKPRZG5050.90050P		
PRO SYSTEM ZG50/50 pinion cylinder with knob, brass, box	50	50	100	590220318678 7	0WKPRZG5050.98050P		
PRO SYSTEM ZG50/55 pinion cylinder with knob, satin nickel, box	50	55	105	590220318679 4	0WKPRZG5055.90050P		
PRO SYSTEM ZG50/55 pinion cylinder with knob, brass, box	50	55	105	590220318680 0	0WKPRZG5055.98050P		
PRO SYSTEM ZG50/60 pinion cylinder with knob, satin nickel, box	50	60	110	590220318681 7	0WKPRZG5060.90050P		
PRO SYSTEM ZG50/60 pinion cylinder with knob, brass, box	50	60	110	590220318682 4	0WKPRZG5060.98050P		
PRO SYSTEM ZG50/65 pinion cylinder with knob, satin nickel, box	50	65	115	590220318683 1	0WKPRZG5065.90050P		
PRO SYSTEM ZG50/65 pinion cylinder with knob, brass, box	50	65	115	590220318684 8	0WKPRZG5065.98050P		
PRO SYSTEM ZG50/70 pinion cylinder with knob, satin nickel, box	50	70	120	590220318685 5	0WKPRZG5070.90050P		
PRO SYSTEM ZG50/70 pinion cylinder with knob, brass, box	50	70	120	590220318686 2	0WKPRZG5070.98050P		
PRO SYSTEM ZG50/75 pinion cylinder with knob, satin nickel, box	50	75	125	590220318687 9	0WKPRZG5075.90050P		
PRO SYSTEM ZG50/75 pinion cylinder with knob, brass, box	50	75	125	590220318688 6	0WKPRZG5075.98050P		
PRO SYSTEM ZG50/80 pinion cylinder with knob, satin nickel, box	50	80	130	590220318689 3	0WKPRZG5080.90050P		
PRO SYSTEM ZG50/80 pinion cylinder with knob, brass, box	50	80	130	590220318690 9	0WKPRZG5080.98050P		
PRO SYSTEM ZG55/30 pinion cylinder with knob, satin nickel, box	55	30	85	590220318691 6	0WKPRZG5530.90050P		
PRO SYSTEM ZG55/30 pinion cylinder with knob, brass, box	55	30	85	590220318692 3	0WKPRZG5530.98050P		
PRO SYSTEM ZG55/35 pinion cylinder with knob, satin nickel, box	55	35	90	590220318693 0	0WKPRZG5535.90050P		
PRO SYSTEM ZG55/35 pinion cylinder with knob, brass, box	55	35	90	590220318694 7	0WKPRZG5535.98050P		
PRO SYSTEM ZG55/40 pinion cylinder with knob, satin nickel, box	55	40	95	590220318695 4	0WKPRZG5540.90050P		
PRO SYSTEM ZG55/40 pinion cylinder with knob, brass, box	55	40	95	590220318696 1	0WKPRZG5540.98050P		
PRO SYSTEM ZG55/45 pinion cylinder with knob, satin nickel, box	55	45	100	590220318697 8	0WKPRZG5545.90050P		
PRO SYSTEM ZG55/45 pinion cylinder with knob, brass, box	55	45	100	590220318698 5	0WKPRZG5545.98050P		
PRO SYSTEM ZG55/50 pinion cylinder with knob, satin nickel, box	55	50	105	590220318699 2	0WKPRZG5550.90050P		
PRO SYSTEM ZG55/50 pinion cylinder with knob, brass, box	55	50	105	590220318700 5	0WKPRZG5550.98050P		
PRO SYSTEM ZG55/55 pinion cylinder with knob, satin nickel, box	55	55	110	590220318701 2	0WKPRZG5555.90050P		
PRO SYSTEM ZG55/55 pinion cylinder with knob, brass, box	55	55	110	590220318702 9	0WKPRZG5555.98050P		
PRO SYSTEM ZG55/60 pinion cylinder with knob, satin nickel, box	55	60	115	590220318703 6	0WKPRZG5560.90050P		
PRO SYSTEM ZG55/60 pinion cylinder with knob, brass, box	55	60	115	590220318704 3	0WKPRZG5560.98050P		
PRO SYSTEM ZG55/65 pinion cylinder with knob, satin nickel, box	55	65	120	590220318705 0	0WKPRZG5565.90050P		
PRO SYSTEM ZG55/65 pinion cylinder with knob, brass, box	55	65	120	590220318706 7	0WKPRZG5565.98050P		
PRO SYSTEM ZG55/70 pinion cylinder with knob, satin nickel, box	55	70	125	590220318707 4	0WKPRZG5570.90050P		
PRO SYSTEM ZG55/70 pinion cylinder with knob, brass, box	55	70	125	590220318708 1	0WKPRZG5570.98050P		
PRO SYSTEM ZG55/75 pinion cylinder with knob, satin nickel, box	55	75	130	590220318709 8	0WKPRZG5575.90050P		
PRO SYSTEM ZG55/75 pinion cylinder with knob, brass, box	55	75	130	590220318710 4	0WKPRZG5575.98050P		
PRO SYSTEM ZG60/30 pinion cylinder with knob, satin nickel, box	60	30	90	590220318711 1	0WKPRZG6030.90050P		
PRO SYSTEM ZG60/30 pinion cylinder with knob, brass, box	60	30	90	590220318712 8	0WKPRZG6030.98050P		
PRO SYSTEM ZG65/30 pinion cylinder with knob, satin nickel, box	65	30	95	590220318713 5	0WKPRZG6530.90050P		
PRO SYSTEM ZG65/30 pinion cylinder with knob, brass, box	65	30	95	590220318714 2	0WKPRZG6530.98050P		

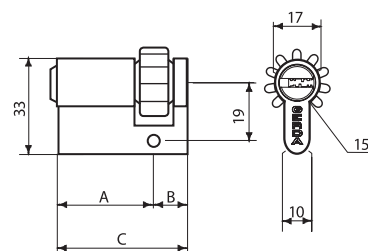
PINION KNOB-KEY PRO SYSTEM

DESCRIPTION	DIMENSIONS (mm)			EAN CODE	INDEX	NET	GROSS
	A	B	C				
PRO SYSTEM ZG65/35 pinion cylinder with knob, satin nickel, box	65	35	100	590220318715 9	0WKPRZG6535.90050P		
PRO SYSTEM ZG65/35 pinion cylinder with knob, brass, box	65	35	100	590220318716 6	0WKPRZG6535.98050P		
PRO SYSTEM ZG60/35 pinion cylinder with knob, satin nickel, box	60	35	95	590220318717 3	0WKPRZG6035.90050P		
PRO SYSTEM ZG60/35 pinion cylinder with knob, brass, box	60	35	95	590220318718 0	0WKPRZG6035.98050P		
PRO SYSTEM ZG60/40 pinion cylinder with knob, satin nickel, box	60	40	100	590220318719 7	0WKPRZG6040.90050P		
PRO SYSTEM ZG60/40 pinion cylinder with knob, brass, box	60	40	100	590220318720 3	0WKPRZG6040.98050P		
PRO SYSTEM ZG60/45 pinion cylinder with knob, satin nickel, box	60	45	105	590220318721 0	0WKPRZG6045.90050P		
PRO SYSTEM ZG60/45 pinion cylinder with knob, brass, box	60	45	105	590220318722 7	0WKPRZG6045.98050P		
PRO SYSTEM ZG60/50 pinion cylinder with knob, satin nickel, box	60	50	110	590220318723 4	0WKPRZG6050.90050P		
PRO SYSTEM ZG60/50 pinion cylinder with knob, brass, box	60	50	110	590220318724 1	0WKPRZG6050.98050P		
PRO SYSTEM ZG60/55 pinion cylinder with knob, satin nickel, box	60	55	115	590220318725 8	0WKPRZG6055.90050P		
PRO SYSTEM ZG60/55 pinion cylinder with knob, brass, box	60	55	115	590220318726 5	0WKPRZG6055.98050P		
PRO SYSTEM ZG60/60 pinion cylinder with knob, satin nickel, box	60	60	120	590220318727 2	0WKPRZG6060.90050P		
PRO SYSTEM ZG60/60 pinion cylinder with knob, brass, box	60	60	120	590220318728 9	0WKPRZG6060.98050P		
PRO SYSTEM ZG60/65 pinion cylinder with knob, satin nickel, box	60	65	125	590220318729 6	0WKPRZG6065.90050P		
PRO SYSTEM ZG60/65 pinion cylinder with knob, brass, box	60	65	125	590220318730 2	0WKPRZG6065.98050P		
PRO SYSTEM ZG60/70 pinion cylinder with knob, satin nickel, box	60	70	130	590220318731 9	0WKPRZG6070.90050P		
PRO SYSTEM ZG60/70 pinion cylinder with knob, brass, box	60	70	130	590220318732 6	0WKPRZG6070.98050P		
PRO SYSTEM ZG65/40 pinion cylinder with knob, satin nickel, box	65	40	105	590220318733 3	0WKPRZG6540.90050P		
PRO SYSTEM ZG65/40 pinion cylinder with knob, brass, box	65	40	105	590220318734 0	0WKPRZG6540.98050P		
PRO SYSTEM ZG65/45 pinion cylinder with knob, satin nickel, box	65	45	110	590220318735 7	0WKPRZG6545.90050P		
PRO SYSTEM ZG65/45 pinion cylinder with knob, brass, box	65	45	110	590220318736 4	0WKPRZG6545.98050P		
PRO SYSTEM ZG65/50 pinion cylinder with knob, satin nickel, box	65	50	115	590220318737 1	0WKPRZG6550.90050P		
PRO SYSTEM ZG65/50 pinion cylinder with knob, brass, box	65	50	115	590220318738 8	0WKPRZG6550.98050P		
PRO SYSTEM ZG65/55 pinion cylinder with knob, satin nickel, box	65	55	120	590220318739 5	0WKPRZG6555.90050P		
PRO SYSTEM ZG65/55 pinion cylinder with knob, brass, box	65	55	120	590220318740 1	0WKPRZG6555.98050P		
PRO SYSTEM ZG65/60 pinion cylinder with knob, satin nickel, box	65	60	125	590220318741 8	0WKPRZG6560.90050P		
PRO SYSTEM ZG65/60 pinion cylinder with knob, brass, box	65	60	125	590220318742 5	0WKPRZG6560.98050P		
PRO SYSTEM ZG65/65 pinion cylinder with knob, satin nickel, box	65	65	130	590220318743 2	0WKPRZG6565.90050P		
PRO SYSTEM ZG65/65 pinion cylinder with knob, brass, box	65	65	130	590220318744 9	0WKPRZG6565.98050P		
PRO SYSTEM ZG70/30 pinion cylinder with knob, satin nickel, box	70	30	100	590220318745 6	0WKPRZG7030.90050P		
PRO SYSTEM ZG70/30 pinion cylinder with knob, brass, box	70	30	100	590220318746 3	0WKPRZG7030.98050P		
PRO SYSTEM ZG70/35 pinion cylinder with knob, satin nickel, box	70	35	105	590220318747 0	0WKPRZG7035.90050P		
PRO SYSTEM ZG70/35 pinion cylinder with knob, brass, box	70	35	105	590220318748 7	0WKPRZG7035.98050P		
PRO SYSTEM ZG70/40 pinion cylinder with knob, satin nickel, box	70	40	110	590220318749 4	0WKPRZG7040.90050P		
PRO SYSTEM ZG70/40 pinion cylinder with knob, brass, box	70	40	110	590220318750 0	0WKPRZG7040.98050P		
PRO SYSTEM ZG70/45 pinion cylinder with knob, satin nickel, box	70	45	115	590220318751 7	0WKPRZG7045.90050P		
PRO SYSTEM ZG70/45 pinion cylinder with knob, brass, box	70	45	115	590220318752 4	0WKPRZG7045.98050P		
PRO SYSTEM ZG70/50 pinion cylinder with knob, satin nickel, box	70	50	120	590220318753 1	0WKPRZG7050.90050P		
PRO SYSTEM ZG70/50 pinion cylinder with knob, brass, box	70	50	120	590220318754 8	0WKPRZG7050.98050P		
PRO SYSTEM ZG70/55 pinion cylinder with knob, satin nickel, box	70	55	125	590220318755 5	0WKPRZG7055.90050P		
PRO SYSTEM ZG70/55 pinion cylinder with knob, brass, box	70	55	125	590220318756 2	0WKPRZG7055.98050P		
PRO SYSTEM ZG70/60 pinion cylinder with knob, satin nickel, box	70	60	130	590220318757 9	0WKPRZG7060.90050P		
PRO SYSTEM ZG70/60 pinion cylinder with knob, brass, box	70	60	130	590220318758 6	0WKPRZG7060.98050P		
PRO SYSTEM ZG75/30 pinion cylinder with knob, satin nickel, box	75	30	105	590220318759 3	0WKPRZG7530.90050P		
PRO SYSTEM ZG75/30 pinion cylinder with knob, brass, box	75	30	105	590220318760 9	0WKPRZG7530.98050P		
PRO SYSTEM ZG75/35 pinion cylinder with knob, satin nickel, box	75	35	110	590220318761 6	0WKPRZG7535.90050P		
PRO SYSTEM ZG75/35 pinion cylinder with knob, brass, box	75	35	110	590220318762 3	0WKPRZG7535.98050P		
PRO SYSTEM ZG75/40 pinion cylinder with knob, satin nickel, box	75	40	115	590220318763 0	0WKPRZG7540.90050P		
PRO SYSTEM ZG75/40 pinion cylinder with knob, brass, box	75	40	115	590220318764 7	0WKPRZG7540.98050P		
PRO SYSTEM ZG75/45 pinion cylinder with knob, satin nickel, box	75	45	120	590220318765 4	0WKPRZG7545.90050P		
PRO SYSTEM ZG75/45 pinion cylinder with knob, brass, box	75	45	120	590220318766 1	0WKPRZG7545.98050P		
PRO SYSTEM ZG75/50 pinion cylinder with knob, satin nickel, box	75	50	125	590220318767 8	0WKPRZG7550.90050P		
PRO SYSTEM ZG75/50 pinion cylinder with knob, brass, box	75	50	125	590220318768 5	0WKPRZG7550.98050P		
PRO SYSTEM ZG75/55 pinion cylinder with knob, satin nickel, box	75	55	130	590220318769 2	0WKPRZG7555.90050P		

PINION KNOB-KEY PRO SYSTEM

DESCRIPTION	DIMENSIONS (mm)			EAN CODE	INDEX	NET	GROSS
	A	B	C				
PRO SYSTEM ZG75/55 pinion cylinder with knob, brass, box	75	55	130	590220318770 8	0WKPRZG7555.98050P		
PRO SYSTEM ZG80/30 pinion cylinder with knob, satin nickel, box	80	30	110	590220318771 5	0WKPRZG8030.90050P		
PRO SYSTEM ZG80/30 pinion cylinder with knob, brass, box	80	30	110	590220318772 2	0WKPRZG8030.98050P		
PRO SYSTEM ZG80/35 pinion cylinder with knob, satin nickel, box	80	35	115	590220318773 9	0WKPRZG8035.90050P		
PRO SYSTEM ZG80/35 pinion cylinder with knob, brass, box	80	35	115	590220318774 6	0WKPRZG8035.98050P		
PRO SYSTEM ZG80/40 pinion cylinder with knob, satin nickel, box	80	40	120	590220318775 3	0WKPRZG8040.90050P		
PRO SYSTEM ZG80/40 pinion cylinder with knob, brass, box	80	40	120	590220318776 0	0WKPRZG8040.98050P		
PRO SYSTEM ZG80/45 pinion cylinder with knob, satin nickel, box	80	45	125	590220318777 7	0WKPRZG8045.90050P		
PRO SYSTEM ZG80/45 pinion cylinder with knob, brass, box	80	45	125	590220318778 4	0WKPRZG8045.98050P		
PRO SYSTEM ZG80/50 pinion cylinder with knob, satin nickel, box	80	50	130	590220318779 1	0WKPRZG8050.90050P		
PRO SYSTEM ZG80/50 pinion cylinder with knob, brass, box	80	50	130	590220318780 7	0WKPRZG8050.98050P		
PRO SYSTEM ZG85/30 pinion cylinder with knob, satin nickel, box	85	30	115	590220318781 4	0WKPRZG8530.90050P		
PRO SYSTEM ZG85/30 pinion cylinder with knob, brass, box	85	30	115	590220318782 1	0WKPRZG8530.98050P		
PRO SYSTEM ZG85/35 pinion cylinder with knob, satin nickel, box	85	35	120	590220318783 8	0WKPRZG8535.90050P		
PRO SYSTEM ZG85/35 pinion cylinder with knob, brass, box	85	35	120	590220318784 5	0WKPRZG8535.98050P		
PRO SYSTEM ZG85/40 pinion cylinder with knob, satin nickel, box	85	40	125	590220318785 2	0WKPRZG8540.90050P		
PRO SYSTEM ZG85/40 pinion cylinder with knob, brass, box	85	40	125	590220318786 9	0WKPRZG8540.98050P		
PRO SYSTEM ZG85/45 pinion cylinder with knob, satin nickel, box	85	45	130	590220318787 6	0WKPRZG8545.90050P		
PRO SYSTEM ZG85/45 pinion cylinder with knob, brass, box	85	45	130	590220318788 3	0WKPRZG8545.98050P		
PRO SYSTEM ZG90/30 pinion cylinder with knob, satin nickel, box	90	30	120	590220318789 0	0WKPRZG9030.90050P		
PRO SYSTEM ZG90/30 pinion cylinder with knob, brass, box	90	30	120	590220318790 6	0WKPRZG9030.98050P		
PRO SYSTEM ZG90/35 pinion cylinder with knob, satin nickel, box	90	35	125	590220318791 3	0WKPRZG9035.90050P		
PRO SYSTEM ZG90/35 pinion cylinder with knob, brass, box	90	35	125	590220318792 0	0WKPRZG9035.98050P		
PRO SYSTEM ZG90/40 pinion cylinder with knob, satin nickel, box	90	40	130	590220318793 7	0WKPRZG9040.90050P		
PRO SYSTEM ZG90/40 pinion cylinder with knob, brass, box	90	40	130	590220318794 4	0WKPRZG9040.98050P		
PRO SYSTEM ZG95/30 pinion cylinder with knob, satin nickel, box	95	30	125	590220318795 1	0WKPRZG9530.90050P		
PRO SYSTEM ZG95/30 pinion cylinder with knob, brass, box	95	30	125	590220318796 8	0WKPRZG9530.98050P		
PRO SYSTEM ZG95/35 pinion cylinder with knob, satin nickel, box	95	35	130	590220318797 5	0WKPRZG9535.90050P		
PRO SYSTEM ZG95/35 pinion cylinder with knob, brass, box	95	35	130	590220318798 2	0WKPRZG9535.98050P		
PRO SYSTEM ZG100/30 pinion cylinder with knob, satin nickel, box	100	30	130	590220318799 9	0WKPRZG0030.90050P		
PRO SYSTEM ZG100/30 pinion cylinder with knob, brass, box	100	30	130	590220318800 2	0WKPRZG0030.98050P		

PINION SEMI-CYLINDER PRO SYSTEM



DESCRIPTION	DIMENSIONS (mm)			EAN CODE	INDEX	NET	GROSS
	A	B	C				
PRO SYSTEM Z 30/10 pinion cylinder, satin nickel, box	30	10	40	590220318439 4	0WKPRZ03010.90050P		
PRO SYSTEM Z 30/10 pinion cylinder, brass, box	30	10	40	590220318440 0	0WKPRZ03010.98050P		
PRO SYSTEM Z 35/10 pinion cylinder, satin nickel, box	35	10	45	590220330414 3	0WKPRZ03510.90050P		
PRO SYSTEM Z 35/10 pinion cylinder, brass, box	35	10	45	590220330415 0	0WKPRZ03510.98050P		
PRO SYSTEM Z 40/10 pinion cylinder, satin nickel, box	40	10	50	590220330416 7	0WKPRZ04010.90050P		
PRO SYSTEM Z 40/10 pinion cylinder, brass, box	40	10	50	590220330417 4	0WKPRZ04010.98050P		
PRO SYSTEM Z 45/10 pinion cylinder, satin nickel, box	45	10	55	590220330418 1	0WKPRZ04510.90050P		
PRO SYSTEM Z 45/10 pinion cylinder, brass, box	45	10	55	590220330419 8	0WKPRZ04510.98050P		
PRO SYSTEM Z 50/10 pinion cylinder, satin nickel, box	50	10	60	590220330420 4	0WKPRZ05010.90050P		
PRO SYSTEM Z 50/10 pinion cylinder, brass, box	50	10	60	590220330421 1	0WKPRZ05010.98050P		
PRO SYSTEM Z 55/10 pinion cylinder, satin nickel, box	55	10	65	590220330422 8	0WKPRZ05510.90050P		
PRO SYSTEM Z 55/10 pinion cylinder, brass, box	55	10	65	590220330423 5	0WKPRZ05510.98050P		
PRO SYSTEM Z 60/10 pinion cylinder, satin nickel, box	60	10	70	590220330424 2	0WKPRZ06010.90050P		
PRO SYSTEM Z 60/10 pinion cylinder, brass, box	60	10	70	590220330425 9	0WKPRZ06010.98050P		
PRO SYSTEM Z 65/10 pinion cylinder, satin nickel, box	65	10	75	590220330426 6	0WKPRZ06510.90050P		
PRO SYSTEM Z 65/10 pinion cylinder, brass, box	65	10	75	590220330427 3	0WKPRZ06510.98050P		
PRO SYSTEM Z 70/10 pinion cylinder, satin nickel, box	70	10	80	590220330428 0	0WKPRZ07010.90050P		
PRO SYSTEM Z 70/10 pinion cylinder, brass, box	70	10	80	590220330429 7	0WKPRZ07010.98050P		
PRO SYSTEM Z 75/10 pinion cylinder, satin nickel, box	75	10	85	590220330430 3	0WKPRZ07510.90050P		
PRO SYSTEM Z 75/10 pinion cylinder, brass, box	75	10	85	590220330431 0	0WKPRZ07510.98050P		
PRO SYSTEM Z 80/10 pinion cylinder, satin nickel, box	80	10	90	590220330432 7	0WKPRZ08010.90050P		
PRO SYSTEM Z 80/10 pinion cylinder, brass, box	80	10	90	590220330433 4	0WKPRZ08010.98050P		
PRO SYSTEM Z 85/10 pinion cylinder, satin nickel, box	85	10	95	590220330434 1	0WKPRZ08510.90050P		
PRO SYSTEM Z 85/10 pinion cylinder, brass, box	85	10	95	590220330435 8	0WKPRZ08510.98050P		
PRO SYSTEM Z 90/10 pinion cylinder, satin nickel, box	90	10	100	590220330436 5	0WKPRZ09010.90050P		
PRO SYSTEM Z 90/10 pinion cylinder, brass, box	90	10	100	590220330437 2	0WKPRZ09010.98050P		
PRO SYSTEM Z 95/10 pinion cylinder, satin nickel, box	95	10	105	590220330438 9	0WKPRZ09510.90050P		
PRO SYSTEM Z 95/10 pinion cylinder, brass, box	95	10	105	590220330439 6	0WKPRZ09510.98050P		
PRO SYSTEM Z 100/10 pinion cylinder, satin nickel, box	100	10	110	590220330440 2	0WKPRZ10010.90050P		
PRO SYSTEM Z 100/10 pinion cylinder, brass, box	100	10	110	590220330441 9	0WKPRZ10010.98050P		
PRO SYSTEM Z 105/10 pinion cylinder, satin nickel, box	105	10	115	590220330442 6	0WKPRZ10510.90050P		
PRO SYSTEM Z 105/10 pinion cylinder, brass, box	105	10	115	590220330443 3	0WKPRZ10510.98050P		
PRO SYSTEM Z 110/10 pinion cylinder, satin nickel, box	110	10	120	590220330444 0	0WKPRZ11010.90050P		
PRO SYSTEM Z 110/10 pinion cylinder, brass, box	110	10	120	590220330445 7	0WKPRZ11010.98050P		
PRO SYSTEM Z 115/10 pinion cylinder, satin nickel, box	115	10	125	590220330446 4	0WKPRZ11510.90050P		
PRO SYSTEM Z 115/10 pinion cylinder, brass, box	115	10	125	590220330447 1	0WKPRZ11510.98050P		
PRO SYSTEM Z 120/10 pinion cylinder, satin nickel, box	120	10	130	590220330448 8	0WKPRZ12010.90050P		
PRO SYSTEM Z 120/10 pinion cylinder, brass, box	120	10	130	590220330449 5	0WKPRZ12010.98050P		

KEY-KEY PRO SYSTEM WITH SAFE COUPLING

DESCRIPTION	DIMENSIONS (mm)			EAN CODE	INDEX	NET	GROSS
	A	B	C				
PRO SYSTEM B 35/35 safe coupling cylinder, satin nickel, box	35	35	70	590220330450 1	0WKPRS03535.9005SP		
PRO SYSTEM B 35/35 safe coupling cylinder, brass, box	35	35	70	590220330451 8	0WKPRS03535.9805SP		
PRO SYSTEM B 35/40 safe coupling cylinder, satin nickel, box	35	40	75	590220330452 5	0WKPRS03540.9005SP		
PRO SYSTEM B 35/40 safe coupling cylinder, brass, box	35	40	75	590220330453 2	0WKPRS03540.9805SP		
PRO SYSTEM B 35/45 safe coupling cylinder, satin nickel, box	35	45	80	590220330454 9	0WKPRS03545.9005SP		
PRO SYSTEM B 35/45 safe coupling cylinder, brass, box	35	45	80	590220330455 6	0WKPRS03545.9805SP		
PRO SYSTEM B 35/50 safe coupling cylinder, satin nickel, box	35	50	85	590220330456 3	0WKPRS03550.9005SP		
PRO SYSTEM B 35/50 safe coupling cylinder, brass, box	35	50	85	590220330457 0	0WKPRS03550.9805SP		
PRO SYSTEM B 35/55 safe coupling cylinder, satin nickel, box	35	55	90	590220330458 7	0WKPRS03555.9005SP		
PRO SYSTEM B 35/55 safe coupling cylinder, brass, box	35	55	90	590220330459 4	0WKPRS03555.9805SP		
PRO SYSTEM B 35/60 safe coupling cylinder, satin nickel, box	35	60	95	590220330460 0	0WKPRS03560.9005SP		
PRO SYSTEM B 35/60 safe coupling cylinder, brass, box	35	60	95	590220330461 7	0WKPRS03560.9805SP		
PRO SYSTEM B 35/65 safe coupling cylinder, satin nickel, box	35	65	100	590220330462 4	0WKPRS03565.9005SP		
PRO SYSTEM B 35/65 safe coupling cylinder, brass, box	35	65	100	590220330463 1	0WKPRS03565.9805SP		
PRO SYSTEM B 35/70 safe coupling cylinder, satin nickel, box	35	70	105	590220330464 8	0WKPRS03570.9005SP		
PRO SYSTEM B 35/70 safe coupling cylinder, brass, box	35	70	105	590220330465 5	0WKPRS03570.9805SP		
PRO SYSTEM B 35/75 safe coupling cylinder, satin nickel, box	35	75	110	590220330466 2	0WKPRS03575.9005SP		
PRO SYSTEM B 35/75 safe coupling cylinder, brass, box	35	75	110	590220330467 9	0WKPRS03575.9805SP		
PRO SYSTEM B 35/80 safe coupling cylinder, satin nickel, box	35	80	115	590220330468 6	0WKPRS03580.9005SP		
PRO SYSTEM B 35/80 safe coupling cylinder, brass, box	35	80	115	590220330469 3	0WKPRS03580.9805SP		
PRO SYSTEM B 35/85 safe coupling cylinder, satin nickel, box	35	85	120	590220330470 9	0WKPRS03585.9005SP		
PRO SYSTEM B 35/85 safe coupling cylinder, brass, box	35	85	120	590220330471 6	0WKPRS03585.9805SP		
PRO SYSTEM B 35/90 safe coupling cylinder, satin nickel, box	35	90	125	590220330472 3	0WKPRS03590.9005SP		
PRO SYSTEM B 35/90 safe coupling cylinder, brass, box	35	90	125	590220330473 0	0WKPRS03590.9805SP		
PRO SYSTEM B 35/95 safe coupling cylinder, satin nickel, box	35	95	130	590220330474 7	0WKPRS03595.9005SP		
PRO SYSTEM B 35/95 safe coupling cylinder, brass, box	35	95	130	590220330475 4	0WKPRS03595.9805SP		
PRO SYSTEM B 40/40 safe coupling cylinder, satin nickel, box	40	40	80	590220330476 1	0WKPRS04040.9005SP		
PRO SYSTEM B 40/40 safe coupling cylinder, brass, box	40	40	80	590220330477 8	0WKPRS04040.9805SP		
PRO SYSTEM B 40/45 safe coupling cylinder, satin nickel, box	40	45	85	590220330478 5	0WKPRS04045.9005SP		
PRO SYSTEM B 40/45 safe coupling cylinder, brass, box	40	45	85	590220330479 2	0WKPRS04045.9805SP		
PRO SYSTEM B 40/50 safe coupling cylinder, satin nickel, box	40	50	90	590220330480 8	0WKPRS04050.9005SP		
PRO SYSTEM B 40/50 safe coupling cylinder, brass, box	40	50	90	590220330481 5	0WKPRS04050.9805SP		
PRO SYSTEM B 40/55 safe coupling cylinder, satin nickel, box	40	55	95	590220330482 2	0WKPRS04055.9005SP		
PRO SYSTEM B 40/55 safe coupling cylinder, brass, box	40	55	95	590220330483 9	0WKPRS04055.9805SP		
PRO SYSTEM B 40/60 safe coupling cylinder, satin nickel, box	40	60	100	590220330484 6	0WKPRS04060.9005SP		
PRO SYSTEM B 40/60 safe coupling cylinder, brass, box	40	60	100	590220330485 3	0WKPRS04060.9805SP		
PRO SYSTEM B 40/65 safe coupling cylinder, satin nickel, box	40	65	105	590220330486 0	0WKPRS04065.9005SP		
PRO SYSTEM B 40/65 safe coupling cylinder, brass, box	40	65	105	590220330487 7	0WKPRS04065.9805SP		
PRO SYSTEM B 40/70 safe coupling cylinder, satin nickel, box	40	70	110	590220330488 4	0WKPRS04070.9005SP		
PRO SYSTEM B 40/70 safe coupling cylinder, brass, box	40	70	110	590220330489 1	0WKPRS04070.9805SP		
PRO SYSTEM B 40/75 safe coupling cylinder, satin nickel, box	40	75	115	590220330490 7	0WKPRS04075.9005SP		
PRO SYSTEM B 40/75 safe coupling cylinder, brass, box	40	75	115	590220330491 4	0WKPRS04075.9805SP		
PRO SYSTEM B 40/80 safe coupling cylinder, satin nickel, box	40	80	120	590220330492 1	0WKPRS04080.9005SP		
PRO SYSTEM B 40/80 safe coupling cylinder, brass, box	40	80	120	590220330493 8	0WKPRS04080.9805SP		
PRO SYSTEM B 40/85 safe coupling cylinder, satin nickel, box	40	85	125	590220330494 5	0WKPRS04085.9005SP		
PRO SYSTEM B 40/85 safe coupling cylinder, brass, box	40	85	125	590220330495 2	0WKPRS04085.9805SP		
PRO SYSTEM B 40/90 safe coupling cylinder, satin nickel, box	40	90	130	590220330496 9	0WKPRS04090.9005SP		
PRO SYSTEM B 40/90 safe coupling cylinder, brass, box	40	90	130	590220330497 6	0WKPRS04090.9805SP		
PRO SYSTEM B 45/45 safe coupling cylinder, satin nickel, box	45	45	90	590220330498 3	0WKPRS04545.9005SP		
PRO SYSTEM B 45/45 safe coupling cylinder, brass, box	45	45	90	590220330499 0	0WKPRS04545.9805SP		
PRO SYSTEM B 45/50 safe coupling cylinder, satin nickel, box	45	50	95	590220330500 3	0WKPRS04550.9005SP		
PRO SYSTEM B 45/50 safe coupling cylinder, brass, box	45	50	95	590220330501 0	0WKPRS04550.9805SP		
PRO SYSTEM B 45/55 safe coupling cylinder, satin nickel, box	45	55	100	590220330502 7	0WKPRS04555.9005SP		
PRO SYSTEM B 45/55 safe coupling cylinder, brass, box	45	55	100	590220330503 4	0WKPRS04555.9805SP		
PRO SYSTEM B 45/60 safe coupling cylinder, satin nickel, box	45	60	105	590220330504 1	0WKPRS04560.9005SP		

KEY-KEY PRO SYSTEM WITH SAFE COUPLING

DESCRIPTION	DIMENSIONS (mm)			EAN CODE	INDEX	NET	GROSS
	A	B	C				
PRO SYSTEM B 45/60 safe coupling cylinder, brass, box	45	60	105	590220330505 8	0WKPRS04560.9805SP		
PRO SYSTEM B 45/65 safe coupling cylinder, satin nickel, box	45	65	110	590220330506 5	0WKPRS04565.9005SP		
PRO SYSTEM B 45/65 safe coupling cylinder, brass, box	45	65	110	590220330507 2	0WKPRS04565.9805SP		
PRO SYSTEM B 45/70 safe coupling cylinder, satin nickel, box	45	70	115	590220330508 9	0WKPRS04570.9005SP		
PRO SYSTEM B 45/70 safe coupling cylinder, brass, box	45	70	115	590220330509 6	0WKPRS04570.9805SP		
PRO SYSTEM B 45/75 safe coupling cylinder, satin nickel, box	45	75	120	590220330510 2	0WKPRS04575.9005SP		
PRO SYSTEM B 45/75 safe coupling cylinder, brass, box	45	75	120	590220330511 9	0WKPRS04575.9805SP		
PRO SYSTEM B 45/80 safe coupling cylinder, satin nickel, box	45	80	125	590220330512 6	0WKPRS04580.9005SP		
PRO SYSTEM B 45/80 safe coupling cylinder, brass, box	45	80	125	590220330513 3	0WKPRS04580.9805SP		
PRO SYSTEM B 45/85 safe coupling cylinder, satin nickel, box	45	85	130	590220330514 0	0WKPRS04585.9005SP		
PRO SYSTEM B 45/85 safe coupling cylinder, brass, box	45	85	130	590220330515 7	0WKPRS04585.9805SP		
PRO SYSTEM B 50/50 safe coupling cylinder, satin nickel, box	50	50	100	590220330516 4	0WKPRS05050.9005SP		
PRO SYSTEM B 50/50 safe coupling cylinder, brass, box	50	50	100	590220330517 1	0WKPRS05050.9805SP		
PRO SYSTEM B 50/55 safe coupling cylinder, satin nickel, box	50	55	105	590220330518 8	0WKPRS05055.9005SP		
PRO SYSTEM B 50/55 safe coupling cylinder, brass, box	50	55	105	590220330519 5	0WKPRS05055.9805SP		
PRO SYSTEM B 50/60 safe coupling cylinder, satin nickel, box	50	60	110	590220330520 1	0WKPRS05060.9005SP		
PRO SYSTEM B 50/60 safe coupling cylinder, brass, box	50	60	110	590220330521 8	0WKPRS05060.9805SP		
PRO SYSTEM B 50/65 safe coupling cylinder, satin nickel, box	50	65	115	590220330522 5	0WKPRS05065.9005SP		
PRO SYSTEM B 50/65 safe coupling cylinder, brass, box	50	65	115	590220330523 2	0WKPRS05065.9805SP		
PRO SYSTEM B 50/70 safe coupling cylinder, satin nickel, box	50	70	120	590220330524 9	0WKPRS05070.9005SP		
PRO SYSTEM B 50/70 safe coupling cylinder, brass, box	50	70	120	590220330525 6	0WKPRS05070.9805SP		
PRO SYSTEM B 50/75 safe coupling cylinder, satin nickel, box	50	75	125	590220330526 3	0WKPRS05075.9005SP		
PRO SYSTEM B 50/75 safe coupling cylinder, brass, box	50	75	125	590220330527 0	0WKPRS05075.9805SP		
PRO SYSTEM B 50/80 safe coupling cylinder, satin nickel, box	50	80	130	590220330528 7	0WKPRS05080.9005SP		
PRO SYSTEM B 50/80 safe coupling cylinder, brass, box	50	80	130	590220330529 4	0WKPRS05080.9805SP		
PRO SYSTEM B 55/55 safe coupling cylinder, satin nickel, box	55	55	110	590220330530 0	0WKPRS05555.9005SP		
PRO SYSTEM B 55/55 safe coupling cylinder, brass, box	55	55	110	590220330531 7	0WKPRS05555.9805SP		
PRO SYSTEM B 55/60 safe coupling cylinder, satin nickel, box	55	60	115	590220330532 4	0WKPRS05560.9005SP		
PRO SYSTEM B 55/60 safe coupling cylinder, brass, box	55	60	115	590220330533 1	0WKPRS05560.9805SP		
PRO SYSTEM B 55/65 safe coupling cylinder, satin nickel, box	55	65	120	590220330534 8	0WKPRS05565.9005SP		
PRO SYSTEM B 55/65 safe coupling cylinder, brass, box	55	65	120	590220330535 5	0WKPRS05565.9805SP		
PRO SYSTEM B 55/70 safe coupling cylinder, satin nickel, box	55	70	125	590220330536 2	0WKPRS05570.9005SP		
PRO SYSTEM B 55/70 safe coupling cylinder, brass, box	55	70	125	590220330537 9	0WKPRS05570.9805SP		
PRO SYSTEM B 55/75 safe coupling cylinder, satin nickel, box	55	75	130	590220330538 6	0WKPRS05575.9005SP		
PRO SYSTEM B 55/75 safe coupling cylinder, brass, box	55	75	130	590220330539 3	0WKPRS05575.9805SP		
PRO SYSTEM B 60/60 safe coupling cylinder, satin nickel, box	60	60	120	590220330540 9	0WKPRS06060.9005SP		
PRO SYSTEM B 60/60 safe coupling cylinder, brass, box	60	60	120	590220330541 6	0WKPRS06060.9805SP		
PRO SYSTEM B 60/65 safe coupling cylinder, satin nickel, box	60	65	125	590220330542 3	0WKPRS06065.9005SP		
PRO SYSTEM B 60/65 safe coupling cylinder, brass, box	60	65	125	590220330543 0	0WKPRS06065.9805SP		
PRO SYSTEM B 60/70 safe coupling cylinder, satin nickel, box	60	70	130	590220330544 7	0WKPRS06070.9005SP		
PRO SYSTEM B 60/70 safe coupling cylinder, brass, box	60	70	130	590220330545 4	0WKPRS06070.9805SP		
PRO SYSTEM B 65/65 safe coupling cylinder, satin nickel, box	65	65	130	590220330546 1	0WKPRS06565.9005SP		
PRO SYSTEM B 65/65 safe coupling cylinder, brass, box	65	65	130	590220330547 8	0WKPRS06565.9805SP		

KEY-KEY PRO SYSTEM WITH PINION AND SAFE COUPLING

DESCRIPTION	DIMENSIONS (mm)			EAN CODE	INDEX	NET	GROSS
	A	B	C				
PRO SYSTEM ZB 35/35 pinion cylinder, safe coupling, satin nickel, box	35	35	70	590220319954 1	0WKPRZ03535.9005SP		
PRO SYSTEM ZB 35/35 pinion cylinder, safe coupling, brass, box	35	35	70	590220319955 8	0WKPRZ03535.9805SP		
PRO SYSTEM ZB 35/40 pinion cylinder, safe coupling, satin nickel, box	35	40	75	590220319956 5	0WKPRZ03540.9005SP		
PRO SYSTEM ZB 35/40 pinion cylinder, safe coupling, brass, box	35	40	75	590220319957 2	0WKPRZ03540.9805SP		
PRO SYSTEM ZB 35/45 pinion cylinder, safe coupling, satin nickel, box	35	45	80	590220319958 9	0WKPRZ03545.9005SP		
PRO SYSTEM ZB 35/45 pinion cylinder, safe coupling, brass, box	35	45	80	590220319959 6	0WKPRZ03545.9805SP		
PRO SYSTEM ZB 35/50 pinion cylinder, safe coupling, satin nickel, box	35	50	85	590220319960 2	0WKPRZ03550.9005SP		
PRO SYSTEM ZB 35/50 pinion cylinder, safe coupling, brass, box	35	50	85	590220319961 9	0WKPRZ03550.9805SP		
PRO SYSTEM ZB 35/55 pinion cylinder, safe coupling, satin nickel, box	35	55	90	590220319962 6	0WKPRZ03555.9005SP		
PRO SYSTEM ZB 35/55 pinion cylinder, safe coupling, brass, box	35	55	90	590220319963 3	0WKPRZ03555.9805SP		
PRO SYSTEM ZB 35/60 pinion cylinder, safe coupling, satin nickel, box	35	60	95	590220319964 0	0WKPRZ03560.9005SP		
PRO SYSTEM ZB 35/60 pinion cylinder, safe coupling, brass, box	35	60	95	590220319965 7	0WKPRZ03560.9805SP		
PRO SYSTEM ZB 35/65 pinion cylinder, safe coupling, satin nickel, box	35	65	100	590220319966 4	0WKPRZ03565.9005SP		
PRO SYSTEM ZB 35/65 pinion cylinder, safe coupling, brass, box	35	65	100	590220319967 1	0WKPRZ03565.9805SP		
PRO SYSTEM ZB 35/70 pinion cylinder, safe coupling, satin nickel, box	35	70	105	590220319968 8	0WKPRZ03570.9005SP		
PRO SYSTEM ZB 35/70 pinion cylinder, safe coupling, brass, box	35	70	105	590220319969 5	0WKPRZ03570.9805SP		
PRO SYSTEM ZB 35/75 pinion cylinder, safe coupling, satin nickel, box	35	75	110	590220319970 1	0WKPRZ03575.9005SP		
PRO SYSTEM ZB 35/75 pinion cylinder, safe coupling, brass, box	35	75	110	590220319971 8	0WKPRZ03575.9805SP		
PRO SYSTEM ZB 35/80 pinion cylinder, safe coupling, satin nickel, box	35	80	115	590220319972 5	0WKPRZ03580.9005SP		
PRO SYSTEM ZB 35/80 pinion cylinder, safe coupling, brass, box	35	80	115	590220319973 2	0WKPRZ03580.9805SP		
PRO SYSTEM ZB 35/85 pinion cylinder, safe coupling, satin nickel, box	35	85	120	590220319974 9	0WKPRZ03585.9005SP		
PRO SYSTEM ZB 35/85 pinion cylinder, safe coupling, brass, box	35	85	120	590220319975 6	0WKPRZ03585.9805SP		
PRO SYSTEM ZB 35/90 pinion cylinder, safe coupling, satin nickel, box	35	90	125	590220319976 3	0WKPRZ03590.9005SP		
PRO SYSTEM ZB 35/90 pinion cylinder, safe coupling, brass, box	35	90	125	590220319977 0	0WKPRZ03590.9805SP		
PRO SYSTEM ZB 35/95 pinion cylinder, safe coupling, satin nickel, box	35	95	130	590220319978 7	0WKPRZ03595.9005SP		
PRO SYSTEM ZB 35/95 pinion cylinder, safe coupling, brass, box	35	95	130	590220319979 4	0WKPRZ03595.9805SP		
PRO SYSTEM ZB 40/40 pinion cylinder, safe coupling, satin nickel, box	40	40	80	590220319980 0	0WKPRZ04040.9005SP		
PRO SYSTEM ZB 40/40 pinion cylinder, safe coupling, brass, box	40	40	80	590220319981 7	0WKPRZ04040.9805SP		
PRO SYSTEM ZB 40/45 pinion cylinder, safe coupling, satin nickel, box	40	45	85	590220319982 4	0WKPRZ04045.9005SP		
PRO SYSTEM ZB 40/45 pinion cylinder, safe coupling, brass, box	40	45	85	590220319983 1	0WKPRZ04045.9805SP		
PRO SYSTEM ZB 40/50 pinion cylinder, safe coupling, satin nickel, box	40	50	90	590220319984 8	0WKPRZ04050.9005SP		
PRO SYSTEM ZB 40/50 pinion cylinder, safe coupling, brass, box	40	50	90	590220319985 5	0WKPRZ04050.9805SP		
PRO SYSTEM ZB 40/55 pinion cylinder, safe coupling, satin nickel, box	40	55	95	590220319986 2	0WKPRZ04055.9005SP		
PRO SYSTEM ZB 40/55 pinion cylinder, safe coupling, brass, box	40	55	95	590220319987 9	0WKPRZ04055.9805SP		
PRO SYSTEM ZB 40/60 pinion cylinder, safe coupling, satin nickel, box	40	60	100	590220319988 6	0WKPRZ04060.9005SP		
PRO SYSTEM ZB 40/60 pinion cylinder, safe coupling, brass, box	40	60	100	590220319989 3	0WKPRZ04060.9805SP		
PRO SYSTEM ZB 40/65 pinion cylinder, safe coupling, satin nickel, box	40	65	105	590220319990 9	0WKPRZ04065.9005SP		
PRO SYSTEM ZB 40/65 pinion cylinder, safe coupling, brass, box	40	65	105	590220319991 6	0WKPRZ04065.9805SP		
PRO SYSTEM ZB 40/70 pinion cylinder, safe coupling, satin nickel, box	40	70	110	590220319992 3	0WKPRZ04070.9005SP		
PRO SYSTEM ZB 40/70 pinion cylinder, safe coupling, brass, box	40	70	110	590220319993 0	0WKPRZ04070.9805SP		
PRO SYSTEM ZB 40/75 pinion cylinder, safe coupling, satin nickel, box	40	75	115	590220319994 7	0WKPRZ04075.9005SP		
PRO SYSTEM ZB 40/75 pinion cylinder, safe coupling, brass, box	40	75	115	590220319995 4	0WKPRZ04075.9805SP		
PRO SYSTEM ZB 40/80 pinion cylinder, safe coupling, satin nickel, box	40	80	120	590220319996 1	0WKPRZ04080.9005SP		
PRO SYSTEM ZB 40/80 pinion cylinder, safe coupling, brass, box	40	80	120	590220319997 8	0WKPRZ04080.9805SP		
PRO SYSTEM ZB 40/85 pinion cylinder, safe coupling, satin nickel, box	40	85	125	590220319998 5	0WKPRZ04085.9005SP		
PRO SYSTEM ZB 40/85 pinion cylinder, safe coupling, brass, box	40	85	125	590220319999 2	0WKPRZ04085.9805SP		
PRO SYSTEM ZB 40/90 pinion cylinder, safe coupling, satin nickel, box	40	90	130	590220330000 8	0WKPRZ04090.9005SP		
PRO SYSTEM ZB 40/90 pinion cylinder, safe coupling, brass, box	40	90	130	590220330001 5	0WKPRZ04090.9805SP		
PRO SYSTEM ZB 45/45 pinion cylinder, safe coupling, satin nickel, box	45	45	90	590220330002 2	0WKPRZ04545.9005SP		
PRO SYSTEM ZB 45/45 pinion cylinder, safe coupling, brass, box	45	45	90	590220330003 9	0WKPRZ04545.9805SP		
PRO SYSTEM ZB 45/50 pinion cylinder, safe coupling, satin nickel, box	45	50	95	590220330004 6	0WKPRZ04550.9005SP		
PRO SYSTEM ZB 45/50 pinion cylinder, safe coupling, brass, box	45	50	95	590220330005 3	0WKPRZ04550.9805SP		
PRO SYSTEM ZB 45/55 pinion cylinder, safe coupling, satin nickel, box	45	55	100	590220330006 0	0WKPRZ04555.9005SP		
PRO SYSTEM ZB 45/55 pinion cylinder, safe coupling, brass, box	45	55	100	590220330007 7	0WKPRZ04555.9805SP		
PRO SYSTEM ZB 45/60 pinion cylinder, safe coupling, satin nickel, box	45	60	105	590220330008 4	0WKPRZ04560.9005SP		

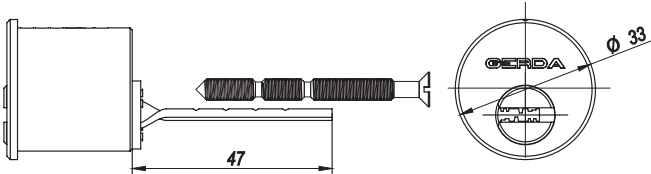
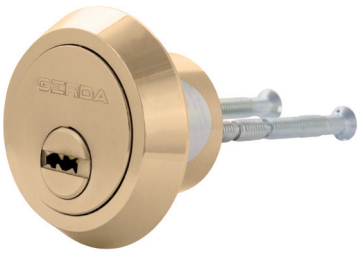
KEY-KEY PRO SYSTEM WITH PINION AND SAFE COUPLING

DESCRIPTION	DIMENSIONS (mm)			EAN CODE	INDEX	NET	GROSS
	A	B	C				
PRO SYSTEM ZB 45/60 pinion cylinder, safe coupling, brass, box	45	60	105	590220330009 1	0WKPRZ04560.9805SP		
PRO SYSTEM ZB 45/65 pinion cylinder, safe coupling, satin nickel, box	45	65	110	590220330010 7	0WKPRZ04565.9005SP		
PRO SYSTEM ZB 45/65 pinion cylinder, safe coupling, brass, box	45	65	110	590220330011 4	0WKPRZ04565.9805SP		
PRO SYSTEM ZB 45/70 pinion cylinder, safe coupling, satin nickel, box	45	70	115	590220330012 1	0WKPRZ04570.9005SP		
PRO SYSTEM ZB 45/70 pinion cylinder, safe coupling, brass, box	45	70	115	590220330013 8	0WKPRZ04570.9805SP		
PRO SYSTEM ZB 45/75 pinion cylinder, safe coupling, satin nickel, box	45	75	120	590220330014 5	0WKPRZ04575.9005SP		
PRO SYSTEM ZB 45/75 pinion cylinder, safe coupling, brass, box	45	75	120	590220330015 2	0WKPRZ04575.9805SP		
PRO SYSTEM ZB 45/80 pinion cylinder, safe coupling, satin nickel, box	45	80	125	590220330016 9	0WKPRZ04580.9005SP		
PRO SYSTEM ZB 45/80 pinion cylinder, safe coupling, brass, box	45	80	125	590220330017 6	0WKPRZ04580.9805SP		
PRO SYSTEM ZB 45/85 pinion cylinder, safe coupling, satin nickel, box	45	85	130	590220330018 3	0WKPRZ04585.9005SP		
PRO SYSTEM ZB 45/85 pinion cylinder, safe coupling, brass, box	45	85	130	590220330019 0	0WKPRZ04585.9805SP		
PRO SYSTEM ZB 50/50 pinion cylinder, safe coupling, satin nickel, box	50	50	100	590220330020 6	0WKPRZ05050.9005SP		
PRO SYSTEM ZB 50/50 pinion cylinder, safe coupling, brass, box	50	50	100	590220330021 3	0WKPRZ05050.9805SP		
PRO SYSTEM ZB 50/55 pinion cylinder, safe coupling, satin nickel, box	50	55	105	590220330022 0	0WKPRZ05055.9005SP		
PRO SYSTEM ZB 50/55 pinion cylinder, safe coupling, brass, box	50	55	105	590220330023 7	0WKPRZ05055.9805SP		
PRO SYSTEM ZB 50/60 pinion cylinder, safe coupling, satin nickel, box	50	60	110	590220330024 4	0WKPRZ05060.9005SP		
PRO SYSTEM ZB 50/60 pinion cylinder, safe coupling, brass, box	50	60	110	590220330025 1	0WKPRZ05060.9805SP		
PRO SYSTEM ZB 50/65 pinion cylinder, safe coupling, satin nickel, box	50	65	115	590220330026 8	0WKPRZ05065.9005SP		
PRO SYSTEM ZB 50/65 pinion cylinder, safe coupling, brass, box	50	65	115	590220330027 5	0WKPRZ05065.9805SP		
PRO SYSTEM ZB 50/70 pinion cylinder, safe coupling, satin nickel, box	50	70	120	590220330028 2	0WKPRZ05070.9005SP		
PRO SYSTEM ZB 50/70 pinion cylinder, safe coupling, brass, box	50	70	120	590220330029 9	0WKPRZ05070.9805SP		
PRO SYSTEM ZB 50/75 pinion cylinder, safe coupling, satin nickel, box	50	75	125	590220330030 5	0WKPRZ05075.9005SP		
PRO SYSTEM ZB 50/75 pinion cylinder, safe coupling, brass, box	50	75	125	590220330031 2	0WKPRZ05075.9805SP		
PRO SYSTEM ZB 50/80 pinion cylinder, safe coupling, satin nickel, box	50	80	130	590220330032 9	0WKPRZ05080.9005SP		
PRO SYSTEM ZB 50/80 pinion cylinder, safe coupling, brass, box	50	80	130	590220330033 6	0WKPRZ05080.9805SP		
PRO SYSTEM ZB 55/55 pinion cylinder, safe coupling, satin nickel, box	55	55	110	590220330034 3	0WKPRZ05555.9005SP		
PRO SYSTEM ZB 55/55 pinion cylinder, safe coupling, brass, box	55	55	110	590220330035 0	0WKPRZ05555.9805SP		
PRO SYSTEM ZB 55/60 pinion cylinder, safe coupling, satin nickel, box	55	60	115	590220330036 7	0WKPRZ05560.9005SP		
PRO SYSTEM ZB 55/60 pinion cylinder, safe coupling, brass, box	55	60	115	590220330037 4	0WKPRZ05560.9805SP		
PRO SYSTEM ZB 55/65 pinion cylinder, safe coupling, satin nickel, box	55	65	120	590220330038 1	0WKPRZ05565.9005SP		
PRO SYSTEM ZB 55/65 pinion cylinder, safe coupling, brass, box	55	65	120	590220330039 8	0WKPRZ05565.9805SP		
PRO SYSTEM ZB 55/70 pinion cylinder, safe coupling, satin nickel, box	55	70	125	590220330040 4	0WKPRZ05570.9005SP		
PRO SYSTEM ZB 55/70 pinion cylinder, safe coupling, brass, box	55	70	125	590220330041 1	0WKPRZ05570.9805SP		
PRO SYSTEM ZB 55/75 pinion cylinder, safe coupling, satin nickel, box	55	75	130	590220330042 8	0WKPRZ05575.9005SP		
PRO SYSTEM ZB 55/75 pinion cylinder, safe coupling, brass, box	55	75	130	590220330043 5	0WKPRZ05575.9805SP		
PRO SYSTEM ZB 60/60 pinion cylinder, safe coupling, satin nickel, box	60	60	120	590220330044 2	0WKPRZ06060.9005SP		
PRO SYSTEM ZB 60/60 pinion cylinder, safe coupling, brass, box	60	60	120	590220330045 9	0WKPRZ06060.9805SP		
PRO SYSTEM ZB 60/65 pinion cylinder, safe coupling, satin nickel, box	60	65	125	590220330046 6	0WKPRZ06065.9005SP		
PRO SYSTEM ZB 60/65 pinion cylinder, safe coupling, brass, box	60	65	125	590220330047 3	0WKPRZ06065.9805SP		
PRO SYSTEM ZB 60/70 pinion cylinder, safe coupling, satin nickel, box	60	70	130	590220330048 0	0WKPRZ06070.9005SP		
PRO SYSTEM ZB 60/70 pinion cylinder, safe coupling, brass, box	60	70	130	590220330049 7	0WKPRZ06070.9805SP		
PRO SYSTEM ZB 65/65 pinion cylinder, safe coupling, satin nickel, box	65	65	130	590220330050 3	0WKPRZ06565.9005SP		
PRO SYSTEM ZB 65/65 pinion cylinder, safe coupling, brass, box	65	65	130	590220330051 0	0WKPRZ06565.9805SP		

SEMI-CYLINDER PRO SYSTEM WITH AN ADJUSTABLE JAW COUPLING

DESCRIPTION	DIMENSIONS (mm)			EAN CODE	INDEX	NET	GROSS
	A	B	C				
PRO SYSTEM U 30/10 adjustable jaw coupling cylinder, satin nickel, box	30	10	40	590220330548 5	0WKPRS03010.9005ZP		
PRO SYSTEM U 30/10 adjustable jaw coupling cylinder, brass, box	30	10	40	590220330549 2	0WKPRS03010.9805ZP		
PRO SYSTEM U 35/10 adjustable jaw coupling cylinder, satin nickel, box	35	10	45	590220330550 8	0WKPRS03510.9005ZP		
PRO SYSTEM U 35/10 adjustable jaw coupling cylinder, brass, box	35	10	45	590220330551 5	0WKPRS03510.9805ZP		
PRO SYSTEM U 40/10 adjustable jaw coupling cylinder, satin nickel, box	40	10	50	590220330552 2	0WKPRS04010.9005ZP		
PRO SYSTEM U 40/10 adjustable jaw coupling cylinder, brass, box	40	10	50	590220330553 9	0WKPRS04010.9805ZP		
PRO SYSTEM U 45/10 adjustable jaw coupling cylinder, satin nickel, box	45	10	55	590220330554 6	0WKPRS04510.9005ZP		
PRO SYSTEM U 45/10 adjustable jaw coupling cylinder, brass, box	45	10	55	590220330555 3	0WKPRS04510.9805ZP		
PRO SYSTEM U 50/10 adjustable jaw coupling cylinder, satin nickel, box	50	10	60	590220330556 0	0WKPRS05010.9005ZP		
PRO SYSTEM U 50/10 adjustable jaw coupling cylinder, brass, box	50	10	60	590220330557 7	0WKPRS05010.9805ZP		
PRO SYSTEM U 55/10 adjustable jaw coupling cylinder, satin nickel, box	55	10	65	590220330558 4	0WKPRS05510.9005ZP		
PRO SYSTEM U 55/10 adjustable jaw coupling cylinder, brass, box	55	10	65	590220330559 1	0WKPRS05510.9805ZP		
PRO SYSTEM U 60/10 adjustable jaw coupling cylinder, satin nickel, box	60	10	70	590220330560 7	0WKPRS06010.9005ZP		
PRO SYSTEM U 60/10 adjustable jaw coupling cylinder, brass, box	60	10	70	590220330561 4	0WKPRS06010.9805ZP		
PRO SYSTEM U 65/10 adjustable jaw coupling cylinder, satin nickel, box	65	10	75	590220330562 1	0WKPRS06510.9005ZP		
PRO SYSTEM U 65/10 adjustable jaw coupling cylinder, brass, box	65	10	75	590220330563 8	0WKPRS06510.9805ZP		
PRO SYSTEM U 70/10 adjustable jaw coupling cylinder, satin nickel, box	70	10	80	590220330564 5	0WKPRS07010.9005ZP		
PRO SYSTEM U 70/10 adjustable jaw coupling cylinder, brass, box	70	10	80	590220330565 2	0WKPRS07010.9805ZP		
PRO SYSTEM U 75/10 adjustable jaw coupling cylinder, satin nickel, box	75	10	85	590220330566 9	0WKPRS07510.9005ZP		
PRO SYSTEM U 75/10 adjustable jaw coupling cylinder, brass, box	75	10	85	590220330567 6	0WKPRS07510.9805ZP		
PRO SYSTEM U 80/10 adjustable jaw coupling cylinder, satin nickel, box	80	10	90	590220330568 3	0WKPRS08010.9005ZP		
PRO SYSTEM U 80/10 adjustable jaw coupling cylinder, brass, box	80	10	90	590220330569 0	0WKPRS08010.9805ZP		
PRO SYSTEM U 85/10 adjustable jaw coupling cylinder, satin nickel, box	85	10	95	590220330570 6	0WKPRS08510.9005ZP		
PRO SYSTEM U 85/10 adjustable jaw coupling cylinder, brass, box	85	10	95	590220330571 3	0WKPRS08510.9805ZP		
PRO SYSTEM U 90/10 adjustable jaw coupling cylinder, satin nickel, box	90	10	100	590220330572 0	0WKPRS09010.9005ZP		
PRO SYSTEM U 90/10 adjustable jaw coupling cylinder, brass, box	90	10	100	590220330573 7	0WKPRS09010.9805ZP		
PRO SYSTEM U 95/10 adjustable jaw coupling cylinder, satin nickel, box	95	10	105	590220330574 4	0WKPRS09510.9005ZP		
PRO SYSTEM U 95/10 adjustable jaw coupling cylinder, brass, box	95	10	105	590220330575 1	0WKPRS09510.9805ZP		
PRO SYSTEM U 100/10 adjustable jaw coupling cylinder, satin nickel, box	100	10	110	590220330576 8	0WKPRS10010.9005ZP		
PRO SYSTEM U 100/10 adjustable jaw coupling cylinder, brass, box	100	10	110	590220330577 5	0WKPRS10010.9805ZP		
PRO SYSTEM U 105/10 adjustable jaw coupling cylinder, satin nickel, box	105	10	115	590220330578 2	0WKPRS10510.9005ZP		
PRO SYSTEM U 105/10 adjustable jaw coupling cylinder, brass, box	105	10	115	590220330579 9	0WKPRS10510.9805ZP		
PRO SYSTEM U 110/10 adjustable jaw coupling cylinder, satin nickel, box	110	10	120	590220330580 5	0WKPRS11010.9005ZP		
PRO SYSTEM U 110/10 adjustable jaw coupling cylinder, brass, box	110	10	120	590220330581 2	0WKPRS11010.9805ZP		
PRO SYSTEM U 115/10 adjustable jaw coupling cylinder, satin nickel, box	115	10	125	590220330582 9	0WKPRS11510.9005ZP		
PRO SYSTEM U 115/10 adjustable jaw coupling cylinder, brass, box	115	10	125	590220330583 6	0WKPRS11510.9805ZP		
PRO SYSTEM U 120/10 adjustable jaw coupling cylinder, satin nickel, box	120	10	130	590220330584 3	0WKPRS12010.9005ZP		
PRO SYSTEM U 120/10 adjustable jaw coupling cylinder, brass, box	120	10	130	590220330585 0	0WKPRS12010.9805ZP		

PRO SYSTEM RIM



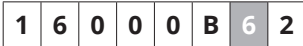
COLOUR



TECHNICAL PARAMETERS

- highest security class - 6 acc. to standard PN-EN 1303:2007
- supreme mechanism durability - over 100 000 cycles
- more than 2 700 000 key code combinations
- highest burglary resistance class - C
- high resistance to corrosion
- anti-bump protection
- new dual-radius pins
- set includes five keys and a fixing screw

CERTIFICATES

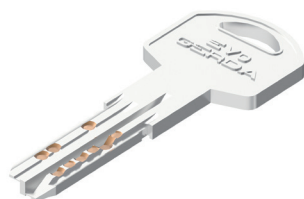
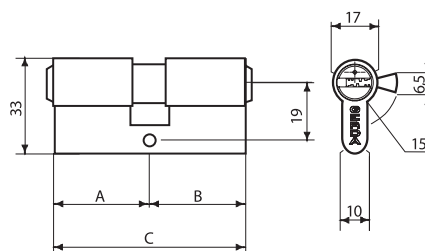


Cylinder classification acc. to standard PN-EN 1303:2007
Certificate issued by the Precision Mechanics Institute



DESCRIPTION	DIMENSIONS (mm)			EAN CODE	INDEX	NET	GROSS
	A	B	C				
PRO SYSTEM RIM round cylinder, nickel box	-	-	-	590140751560 7	0WRPR000000.97050P		
PRO SYSTEM RIM round cylinder, brass, box	-	-	-	590140751562 1	0WRPR000000.98050P		

EVO KEY-KEY



COLOUR



TECHNICAL PARAMETERS

- high security class - 5 acc. to standard PN-EN 1303:2015
- certified for use in fire-resistant woodwork - based on a classification assessment of the Construction Technology Institute
- supreme durability of the mechanism - over 100 000 cycles
- over 9 300 000 key code combinations
- burglary resistance - class B
- high resistance to corrosion
- anti-bump protection
- hardened pins
- set includes five keys and a fixing screw

AVAILABLE OPTIONS

- can be delivered in one-key system

CERTIFICATES

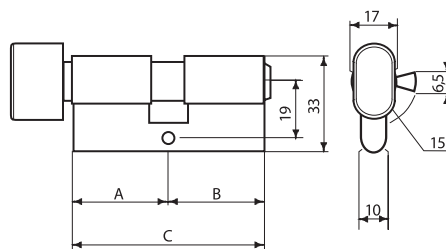


Cylinder classification acc. to standard PN-EN 1303:2015-07
Certificate issued by the Precision Mechanics Institute



DESCRIPTION	DIMENSIONS (mm)			EAN CODE	INDEX	NET	GROSS
	A	B	C				
EVO 30/30 satin nickel cylinder, box	30	30	60	590140751204 0	0WKEVS03030.90050P		
EVO 30/35 satin nickel cylinder, box	30	35	65	590140751206 4	0WKEVS03035.90050P		
EVO 30/40 satin nickel cylinder, box	30	40	70	590140751208 8	0WKEVS03040.90050P		
EVO 30/45 satin nickel cylinder, box	30	45	75	590140751210 1	0WKEVS03045.90050P		
EVO 30/50 satin nickel cylinder, box	30	50	80	590140751212 5	0WKEVS03050.90050P		
EVO 30/55 satin nickel cylinder, box	30	55	85	590140751214 9	0WKEVS03055.90050P		
EVO 35/35 satin nickel cylinder, box	35	35	70	590140751216 3	0WKEVS03535.90050P		
EVO 35/40 satin nickel cylinder, box	35	40	75	590140751218 7	0WKEVS03540.90050P		
EVO 35/45 satin nickel cylinder, box	35	45	80	590140751220 0	0WKEVS03545.90050P		
EVO 35/50 satin nickel cylinder, box	35	50	85	590140751222 4	0WKEVS03550.90050P		
EVO 35/55 satin nickel cylinder, box	35	55	90	590140751224 8	0WKEVS03555.90050P		
EVO 40/40 satin nickel cylinder, box	40	40	80	590140751226 2	0WKEVS04040.90050P		
EVO 40/45 satin nickel cylinder, box	40	45	85	590140751228 6	0WKEVS04045.90050P		
EVO 40/50 satin nickel cylinder, box	40	50	90	590140751230 9	0WKEVS04050.90050P		
EVO 45/45 satin nickel cylinder, box	45	45	90	590140751232 3	0WKEVS04545.90050P		

EVO KNOB-KEY



COLOUR



SATIN NICKEL

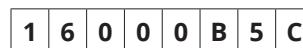
TECHNICAL PARAMETERS

- high security class - 5 acc. to standard PN-EN 1303:2015
- certified for use in fire-resistant woodwork - based on a classification assessment of the Construction Technology Institute
- supreme durability of the mechanism - over 100 000 cycles
- over 9 300 000 key code combinations
- burglary resistance - class B
- high resistance to corrosion
- anti-bump protection
- hardened pins
- set includes five keys and a fixing screw

AVAILABLE OPTIONS

- can be delivered in one-key system

CERTIFICATES



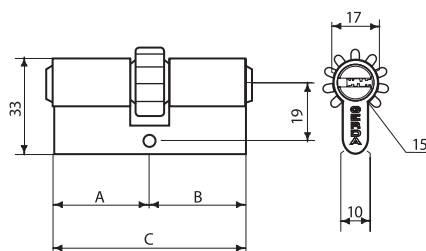
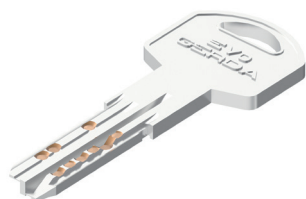
Cylinder classification acc. to standard PN-EN 1303:2015-07
Certificate issued by the Precision Mechanics Institute



GERDA CLASS

DESCRIPTION	DIMENSIONS (mm)			EAN CODE	INDEX	NET	GROSS
	A	B	C				
EVO G30/30 cylinder with knob, satin nickel, box	30	30	60	590140751234 7	0WKEVG03030.90050P		
EVO G30/35 cylinder with knob, satin nickel, box	30	35	65	59014051236 1	0WKEVG03035.90050P		
EVO G30/40 cylinder with knob, satin nickel, box	30	40	70	590140751238 5	0WKEVG03040.90050P		
EVO G30/45 cylinder with knob, satin nickel, box	30	45	75	590140751240 8	0WKEVG03045.90050P		
EVO G35/30 cylinder with knob, satin nickel, box	35	30	65	590140751242 2	0WKEVG03530.90050P		
EVO G35/35 cylinder with knob, satin nickel, box	35	35	70	590140751244 6	0WKEVG03535.90050P		
EVO G35/50 cylinder with knob, satin nickel, box	35	50	85	590140751246 0	0WKEVG03550.90050P		
EVO G40/30 cylinder with knob, satin nickel, box	40	30	70	590140751248 4	0WKEVG04030.90050P		
EVO G40/50 cylinder with knob, satin nickel, box	40	50	90	590140751250 7	0WKEVG04050.90050P		
EVO G40/55 cylinder with knob, satin nickel, box	40	55	95	590140751464 8	0WKEVG04055.90050P		
EVO G45/30 cylinder with knob, satin nickel, box	45	30	75	590140751252 1	0WKEVG04530.90050P		
EVO G45/55 cylinder with knob, satin nickel, box	45	55	100	590140750434 2	0WKEVG04555.90050P		
EVO G50/35 cylinder with knob, satin nickel, box	50	35	85	590140751254 5	0WKEVG05035.90050P		
EVO G50/30 cylinder with knob, satin nickel, box	50	30	80	590140751256 9	0WKEVG05030.90050P		
EVO G55/40 cylinder with knob, satin nickel, box	55	40	95	590140751466 2	0WKEVG05540.90050P		
EVO G55/45 cylinder with knob, satin nickel, box	55	45	100	590220319717 2	0WKEVG05545.90050P		

EVO PINION



COLOUR



TECHNICAL PARAMETERS

- high security class - 5 acc. to standard PN-EN 1303:2015
- certified for use in fire-resistant woodwork-based on a classification assessment of the Construction Technology Institute
- supreme durability of the mechanism
 - over 100 000 cycles
- over 9 300 000 key code combinations
- burglary resistance - class B
- high resistance to corrosion
- anti-bump protection
- hardened pins
- set includes five keys and a fixing screw

AVAILABLE OPTIONS

- can be delivered in one-key system

CERTIFICATES



Cylinder classification acc. to standard PN-EN 1303:2015-07
Certificate issued by the Precision Mechanics Institute

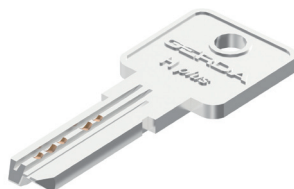
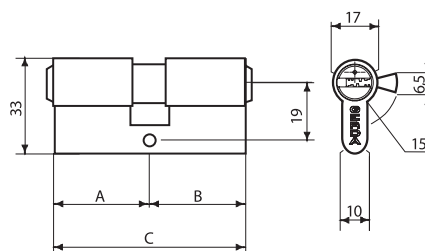


DESCRIPTION	DIMENSIONS (mm)			EAN CODE	INDEX	NET	GROSS
	A	B	C				
EVO Z 30/45 pinion cylinder, satin nickel, box	30	45	75	590220317721 1	0WKEVZ03045.90050P		
EVO Z 35/50 pinion cylinder, satin nickel, box	35	50	85	590140751468 6	0WKEVZ03550.90050P		
EVO Z 45/55 pinion cylinder, satin nickel, box	45	55	100	590140750431 1	0WKEVZ04555.90050P		

EVO - SETS OF 2 ALIGNED CYLINDERS (KEY-KEY + KNOB-KEY)

DESCRIPTION	DIMENSIONS (mm)			EAN CODE	INDEX	NET	GROSS
	A	B	C				
EVO 30/35 + G30/35 set of 2 cylinders in a single key system, satin nickel, box	-	-	-	590140751258 3	0WKEVKZ3035.90050P		
EVO 30/35 + G35/30 set of 2 cylinders in a single key system, satin nickel, box	-	-	-	590140751260 6	0WKEVKW3035.90050P		
EVO 30/40 + G30/40 set of 2 cylinders in a single key system, satin nickel, box	-	-	-	590140751262 0	0WKEVKZ3040.90050P		
EVO 30/40 + G40/30 set of 2 cylinders in a single key system, satin nickel, box	-	-	-	590140751264 4	0WKEVKW3040.90050P		
EVO 30/45 + G30/45 set of 2 cylinders in a single key system, satin nickel, box	-	-	-	590140751266 8	0WKEVKZ3045.90050P		
EVO 30/45 + G45/30 set of 2 cylinders in a single key system, satin nickel, box	-	-	-	590140751268 2	0WKEVKW3045.90050P		
EVO 30/50 + G50/30 set of 2 cylinders in a single key system, satin nickel, box	-	-	-	590220317377 0	0WKEVKW3050.90050P		
EVO 30/50 + G50/35 set of 2 cylinders in a single key system, satin nickel, box	-	-	-	590220330112 8	0WKEVKW3050.90052P		
EVO 30/50 + G35/50 set of 2 cylinders in a single key system, satin nickel, box	-	-	-	590220317379 4	0WKEVKZ3050.90052P		
EVO 35/50 + G35/50 set of 2 cylinders in a single key system, satin nickel, box	-	-	-	590140751270 5	0WKEVKZ3550.90050P		
EVO 35/50 + G50/35 set of 2 cylinders in a single key system, satin nickel, box	-	-	-	590140751272 9	0WKEVKW3550.90050P		
EVO 40/50 + G40/50 set of 2 cylinders in a single key system, satin nickel, box	-	-	-	590140751274 3	0WKEVKZ4050.90050P		
EVO 40/50 + G40/55 set of 2 cylinders in a single key system, satin nickel, box	-	-	-	590220317391 6	0WKEVKZ4050.90052P		
EVO 40/50 + G50/40 set of 2 cylinders in a single key system, satin nickel, box	-	-	-	590140751276 7	0WKEVKW4050.90050P		
EVO 35/50 + G35/50 set of 2 cylinders in a single key system, pinion, satin nickel, box	-	-	-	590140751472 3	0WKEVLZ3550.90050P		
EVO 35/50 + G50/35 set of 2 cylinders in a single key system, pinion, satin nickel, box	-	-	-	590140751470 9	0WKEVLW3550.90050P		
EVO 45/55 + G55/45 set of 2 cylinders in a single key system, pinion, satin nickel, box	-	-	-	590220319607 6	0WKEVLW4555.90050P		

H PLUS KEY-KEY



COLOUR



TECHNICAL PARAMETERS

- class 3 key code protection (6 system wards)
- supreme durability of the mechanism - over 100 000 cycles
- anti-drill protection
- high resistance to corrosion
- set includes five keys and a fixing screw

CERTIFICATES



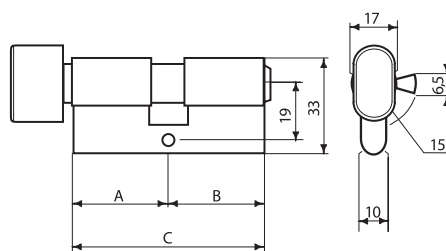
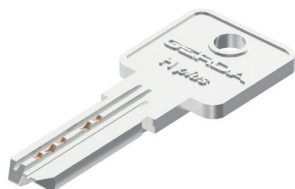
Cylinder classification acc. to standard PN-EN 1303:2007
Certificate issued by the Precision Mechanics Institute



GERDA CLASS

DESCRIPTION	DIMENSIONS (mm)			EAN CODE	INDEX	NET	GROSS
	A	B	C				
H Plus 27/35 satin nickel cylinder, box	27	35	62	590220317523 1	0WKHPS02735.90050P		
H Plus 30/30 satin nickel cylinder, box	30	30	60	590220317517 0	0WKHPS03030.90050P		
H Plus 30/30 brass cylinder, box	30	30	60	590220317515 6	0WKHPS03030.98050P		
H Plus 30/35 satin nickel cylinder, box	30	35	65	590220317521 7	0WKHPS03035.90050P		
H Plus 30/35 brass cylinder, box	30	35	65	590220317519 4	0WKHPS03035.98050P		
H Plus 30/40 satin nickel cylinder, box	30	40	70	590220317525 5	0WKHPS03040.90050P		
H Plus 30/40 brass cylinder, box	30	40	70	590220317719 8	0WKHPS03040.98050P		
H Plus 30/45 satin nickel cylinder, box	30	45	75	590220317589 7	0WKHPS03045.90050P		
H Plus 30/50 satin nickel cylinder, box	30	50	80	590220317527 9	0WKHPS03050.90050P		
H Plus 35/35 satin nickel cylinder, box	35	35	70	590220317529 3	0WKHPS03535.90050P		
H Plus 35/40 satin nickel cylinder, box	35	40	75	590220317531 6	0WKHPS03540.90050P		
H Plus 35/45 satin nickel cylinder, box	35	45	80	590220317533 0	0WKHPS03545.90050P		
H Plus 35/50 satin nickel cylinder, box	35	50	85	590220317535 4	0WKHPS03550.90050P		

H PLUS KNOB-KEY



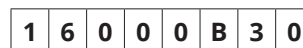
COLOUR



TECHNICAL PARAMETERS

- class 3 key code protection (6 system wards)
- supreme durability of the mechanism - over 100 000 cycles
- anti-drill protection
- high resistance to corrosion
- set includes five keys and a fixing screw

CERTIFICATES

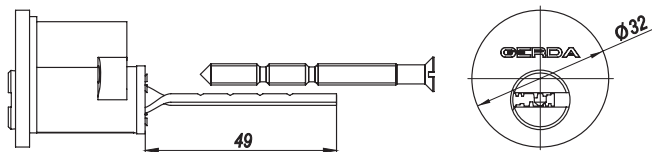


Cylinder classification acc. to standard PN-EN 1303:2007
Certificate issued by the Precision Mechanics Institute



DESCRIPTION	DIMENSIONS (mm)			EAN CODE	INDEX	NET	GROSS
	A	B	C				
H Plus G30/35 cylinder with knob, satin nickel, box	30	35	65	590220317541 5	0WKHPG03035.90050P		
H Plus G30/45 cylinder with knob, satin nickel, box	30	45	75	590220317537 8	0WKHPG03045.90050P		
H Plus G30/50 cylinder with knob, satin nickel, box	30	50	80	590220317545 3	0WKHPG03050.90050P		
H Plus G35/30 cylinder with knob, satin nickel, box	35	30	65	590220317543 9	0WKHPG03530.90050P		
H Plus G45/30 cylinder with knob, satin nickel, box	45	30	75	590220317539 2	0WKHPG04530.90050P		
H Plus G50/30 cylinder with knob, satin nickel, box	50	30	80	590220317547 7	0WKHPG05030.90050P		

H PLUS RIM



COLOUR



TECHNICAL PARAMETERS

- class 3 key code protection (6 system wards)
- supreme durability of the mechanism
- over 100 000 cycles
- anti-drill protection
- high resistance to corrosion
- set includes four keys and a fixing screw

CERTIFICATES

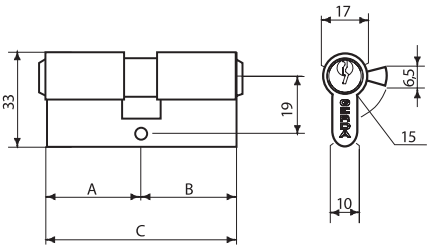


Cylinder classification acc. to standard PN-EN 1303:2007
Certificate issued by the Precision Mechanics Institute



DESCRIPTION	DIMENSIONS (mm)			EAN CODE	INDEX	NET	GROSS
	A	B	C				
H Plus RIM round cylinder, satin nickel, box	-	-	-	590220317565 1	0WRHP000000.90040P		
H Plus RIM round cylinder, brass, box	-	-	-	590220317567 5	0WRHP000000.98040P		

WK E1 KEY-KEY



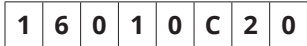
COLOUR



TECHNICAL PARAMETERS

- class 2 code protection
- supreme durability of the mechanism - over 100 000 cycles
- certified for use in fire-resistant woodwork
- high resistance to corrosion
- set includes three keys and a fixing screw

CERTIFICATES



Cylinder classification acc. to standard PN-EN 1303:2007
Certificate issued by the Precision Mechanics Institute

AVAILABLE OPTIONS

- can be standardised for use with a single key
- can be delivered with additional keys

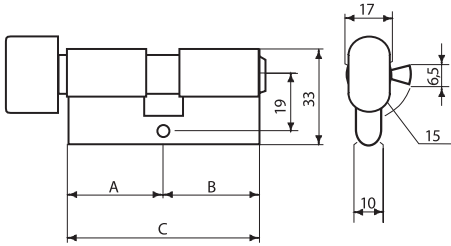


DESCRIPTION	DIMENSIONS (mm)			EAN CODE	INDEX	NET	GROSS
	A	B	C				
WKE1 25/25 satin nickel cylinder, box	25	25	50	590220317353 4	0WKE1S02525.90030P		
WKE1 25/25 brass cylinder, box	25	25	50	590220317355 8	0WKE1S02525.98030P		
WKE1 25/30 satin nickel cylinder, box	25	30	55	590220317551 4	0WKE1S02530.90030P		
WKE1 25/30 brass cylinder, box	25	30	55	590220317549 1	0WKE1S02530.98030P		
WKE1 25/35 satin nickel cylinder, box	25	35	60	590220317553 8	0WKE1S02535.90030P		
WKE1 25/40 satin nickel cylinder, box	25	40	65	590220317555 2	0WKE1S02540.90030P		
WKE1 28/36 satin nickel cylinder, box	28	36	64	590672660002 7	0WKE1S02836.90030P		
WKE1 28/36 brass cylinder, box	28	36	64	590672660003 4	0WKE1S02836.98030P		
WKE1 30/10 satin nickel cylinder, box	30	10	40	590762008285 8	0WKE1S03010.90030P		
WKE1 30/10 brass cylinder, box	30	10	40	590762008284 1	0WKE1S03010.98030P		
WKE1 30/30 satin nickel cylinder, box	30	30	60	590762008287 2	0WKE1S03030.90030P		
WKE1 30/30 brass cylinder, box	30	30	60	590762008288 9	0WKE1S03030.98030P		
WKE1 30/35 satin nickel cylinder, box	30	35	65	590762008291 9	0WKE1S03035.90030P		
WKE1 30/35 brass cylinder, box	30	35	65	590762008292 6	0WKE1S03035.98030P		
WKE1 30/40 satin nickel cylinder, box	30	40	70	590762008295 7	0WKE1S03040.90030P		

WK E1 KEY-KEY

DESCRIPTION		DIMENSIONS (mm)			EAN CODE	INDEX	NET	GROSS
		A	B	C				
WKE1	30/40	brass cylinder, box	30	40	70	590762008296 4	0WKE1S03040.98030P	
WKE1	30/45	satin nickel cylinder, box	30	45	75	590762008301 5	0WKE1S03045.90030P	
WKE1	30/45	brass cylinder, box	30	45	75	590762008300 8	0WKE1S03045.98030P	
WKE1	30/50	satin nickel cylinder, box	30	50	80	590762008305 3	0WKE1S03050.90030P	
WKE1	30/50	brass cylinder, box	30	50	80	590762008304 6	0WKE1S03050.98030P	
WKE1	30/55	satin nickel cylinder, box	30	55	85	590762008309 1	0WKE1S03055.90030P	
WKE1	30/55	brass cylinder, box	30	55	85	590762008308 4	0WKE1S03055.98030P	
WKE1	30/60	satin nickel cylinder, box	30	60	90	590220317557 6	0WKE1S03060.90030P	
WKE1	35/10	satin nickel cylinder, box	35	10	45	590762008311 4	0WKE1S03510.90030P	
WKE1	35/10	brass cylinder, box	35	10	45	590762008310 7	0WKE1S03510.98030P	
WKE1	35/35	satin nickel cylinder, box	35	35	70	590762008315 2	0WKE1S03535.90030P	
WKE1	35/35	brass cylinder, box	35	35	70	590762008314 5	0WKE1S03535.98030P	
WKE1	35/40	satin nickel cylinder, box	35	40	75	590762008319 0	0WKE1S03540.90030P	
WKE1	35/40	brass cylinder, box	35	40	75	590762008318 3	0WKE1S03540.98030P	
WKE1	35/45	satin nickel cylinder, box	35	45	80	590762008323 7	0WKE1S03545.90030P	
WKE1	35/45	brass cylinder, box	35	45	80	590762008322 0	0WKE1S03545.98030P	
WKE1	35/50	satin nickel cylinder, box	35	50	85	590762008327 5	0WKE1S03550.90030P	
WKE1	35/50	brass cylinder, box	35	50	85	590762008326 8	0WKE1S03550.98030P	
WKE1	35/55	satin nickel cylinder, box	35	55	90	590762008329 9	0WKE1S03555.90030P	
WKE1	35/55	brass cylinder, box	35	55	90	590762008328 2	0WKE1S03555.98030P	
WKE1	35/60	satin nickel cylinder, box	35	60	95	590220317559 0	0WKE1S03560.90030P	
WKE1	40/40	satin nickel cylinder, box	40	40	80	590762008337 4	0WKE1S04040.90030P	
WKE1	40/40	brass cylinder, box	40	40	80	590762008336 7	0WKE1S04040.98030P	
WKE1	40/45	satin nickel cylinder, box	40	45	85	590762008341 1	0WKE1S04045.90030P	
WKE1	40/45	brass cylinder, box	40	45	85	590762008340 4	0WKE1S04045.98030P	
WKE1	40/50	satin nickel cylinder, box	40	50	90	590762008343 5	0WKE1S04050.90030P	
WKE1	40/50	brass cylinder, box	40	50	90	590762008342 8	0WKE1S04050.98030P	
WKE1	45/45	satin nickel cylinder, box	45	45	90	590762008351 0	0WKE1S04545.90030P	
WKE1	45/45	brass cylinder, box	45	45	90	590762008350 3	0WKE1S04545.98030P	
WKE1	45/50	satin nickel cylinder, box	45	50	95	590220317561 3	0WKE1S04550.90030P	
WKE1	45/55	satin nickel cylinder, box	45	55	100	590220317563 7	0WKE1S04555.90030P	
WKE1	50/50	satin nickel cylinder, box	50	50	100	590220317357 2	0WKE1S05050.90030P	
WKE1	55/10	satin nickel cylinder, box	55	10	65	590762008359 6	0WKE1S05510.90030P	
WKE1	55/10	brass cylinder, box	55	10	65	590762008358 9	0WKE1S05510.98030P	

WK E1 KNOB-KEY



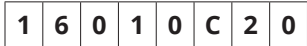
COLOUR



TECHNICAL PARAMETERS

- class 2 code protection
- supreme durability of the mechanism - over 100 000 cycles
- certified for use in fire-resistant woodwork
- high resistance to corrosion
- set includes three keys and a fixing screw

CERTIFICATES



Cylinder classification acc. to standard PN-EN 1303:2007
Certificate issued by the Precision Mechanics Institute

AVAILABLE OPTIONS

- can be delivered in one-key system
- can be delivered with additional keys

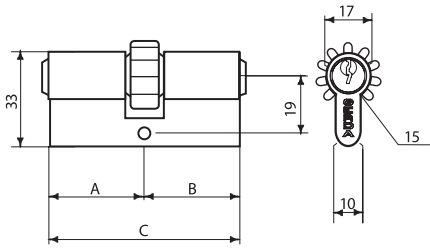
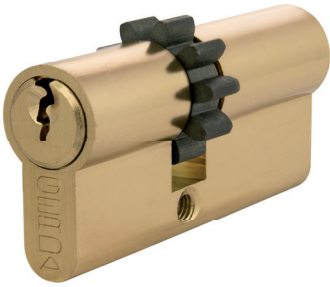


DESCRIPTION	DIMENSIONS (mm)			EAN CODE	INDEX	NET	GROSS
	A	B	C				
WKE1 G28/43 cylinder with knob, satin nickel, box	28	43	71	590672660004 1	0WKE1G02843.90030P		
WKE1 G30/30 cylinder with knob, satin nickel, box	30	30	60	590762008290 2	0WKE1G03030.90030P		
WKE1 G30/30 cylinder with knob, brass, box	30	30	60	590762008289 6	0WKE1G03030.98030P		
WKE1 G30/35 cylinder with knob, satin nickel, box	30	35	65	590762008294 0	0WKE1G03035.90030P		
WKE1 G30/35 cylinder with knob, brass, box	30	35	65	590762008293 3	0WKE1G03035.98030P		
WKE1 G30/40 cylinder with knob, satin nickel, box	30	40	70	590762008298 8	0WKE1G03040.90030P		
WKE1 G30/40 cylinder with knob, brass, box	30	40	70	590762008297 1	0WKE1G03040.98030P		
WKE1 G30/45 cylinder with knob, satin nickel, box	30	45	75	590762008302 2	0WKE1G03045.90030P		
WKE1 G30/45 cylinder with knob, brass, box	30	45	75	590762008303 9	0WKE1G03045.98030P		
WKE1 G30/50 cylinder with knob, satin nickel, box	30	50	80	590762008306 0	0WKE1G03050.90030P		
WKE1 G30/50 cylinder with knob, brass, box	30	50	80	590762008307 7	0WKE1G03050.98030P		
WKE1 G35/30 cylinder with knob, satin nickel, box	35	30	65	590762008313 8	0WKE1G03530.90030P		
WKE1 G35/30 cylinder with knob, brass, box	35	30	65	590762008312 1	0WKE1G03530.98030P		
WKE1 G35/35 cylinder with knob, satin nickel, box	35	35	70	590762008316 9	0WKE1G03535.90030P		
WKE1 G35/35 cylinder with knob, brass, box	35	35	70	590762008317 6	0WKE1G03535.98030P		

WK E1 KNOB-KEY

DESCRIPTION	DIMENSIONS (mm)			EAN CODE	INDEX	NET	GROSS
	A	B	C				
WKE1 G35/40 cylinder with knob, satin nickel, box	35	40	75	590762008320 6	0WKE1G03540.90030P		
WKE1 G35/40 cylinder with knob, brass, box	35	40	75	590762008321 3	0WKE1G03540.98030P		
WKE1 G35/45 cylinder with knob, satin nickel, box	35	45	80	590762008324 4	0WKE1G03545.90030P		
WKE1 G35/45 cylinder with knob, brass, box	35	45	80	590762008325 1	0WKE1G03545.98030P		
WKE1 G35/50 cylinder with knob, satin nickel, box	35	50	85	590672660031 7	0WKE1G03550.90030P		
WKE1 G35/50 cylinder with knob, brass, box	35	50	85	590672660032 4	0WKE1G03550.98030P		
WKE1 G35/55 cylinder with knob, satin nickel, box	35	55	90	590762008330 5	0WKE1G03555.90030P		
WKE1 G35/55 cylinder with knob, brass, box	35	55	90	590762008331 2	0WKE1G03555.98030P		
WKE1 G36/26 cylinder with knob, satin nickel, box	36	26	62	590337301682 9	0WKE1G03626.90030P		
WKE1 G36/28 cylinder with knob, satin nickel, box	36	28	64	590672660035 5	0WKE1G03628.90030P		
WKE1 G36/28 cylinder with knob, brass, box	36	28	64	590672660036 2	0WKE1G03628.98030P		
WKE1 G40/30 cylinder with knob, satin nickel, box	40	30	70	590762008333 6	0WKE1G04030.90030P		
WKE1 G40/30 cylinder with knob, brass, box	40	30	70	590762008332 9	0WKE1G04030.98030P		
WKE1 G40/35 cylinder with knob, satin nickel, box	40	35	75	590762008335 0	0WKE1G04035.90030P		
WKE1 G40/35 cylinder with knob, brass, box	40	35	75	590762008334 3	0WKE1G04035.98030P		
WKE1 G40/40 cylinder with knob, satin nickel, box	40	40	80	590762008338 1	0WKE1G04040.90030P		
WKE1 G40/40 cylinder with knob, brass, box	40	40	80	590762008339 8	0WKE1G04040.98030P		
WKE1 G40/50 cylinder with knob, satin nickel, box	40	50	90	590762008344 2	0WKE1G04050.90030P		
WKE1 G40/50 cylinder with knob, brass, box	40	50	90	590762008345 9	0WKE1G04050.98030P		
WKE1 G45/30 cylinder with knob, satin nickel, box	45	30	75	590762008347 3	0WKE1G04530.90030P		
WKE1 G45/30 cylinder with knob, brass, box	45	30	75	590762008346 6	0WKE1G04530.98030P		
WKE1 G45/35 cylinder with knob, satin nickel, box	45	35	80	590762008348 0	0WKE1G04535.90030P		
WKE1 G45/35 cylinder with knob, brass, box	45	35	80	590762008349 7	0WKE1G04535.98030P		
WKE1 G45/45 cylinder with knob, satin nickel, box	45	45	90	590762008352 7	0WKE1G04545.90030P		
WKE1 G45/45 cylinder with knob, brass, box	45	45	90	590762008353 4	0WKE1G04545.98030P		
WKE1 G45/55 cylinder with knob, satin nickel, box	45	55	100	590220319725 7	0WKE1G04555.90030P		
WKE1 G50/30 cylinder with knob, satin nickel, box	50	30	80	590762008355 8	0WKE1G05030.90030P		
WKE1 G50/30 cylinder with knob, brass, box	50	30	80	590762008354 1	0WKE1G05030.98030P		
WKE1 G50/35 cylinder with knob, satin nickel, box	50	35	85	590672660071 3	0WKE1G05035.90030P		
WKE1 G50/35 cylinder with knob, brass, box	50	35	85	590672660072 0	0WKE1G05035.98030P		
WKE1 G50/40 cylinder with knob, satin nickel, box	50	40	90	590762008356 5	0WKE1G05040.90030P		
WKE1 G50/40 cylinder with knob, brass, box	50	40	90	590762008357 2	0WKE1G05040.98030P		
WKE1 G55/35 cylinder with knob, satin nickel, box	55	35	90	590762008360 2	0WKE1G05535.90030P		
WKE1 G55/35 cylinder with knob, brass, box	55	35	90	590762008361 9	0WKE1G05535.98030P		
WKE1 G55/45 cylinder with knob, satin nickel, box	55	45	100	590220319719 4	0WKE1G05545.90030P		

WK E1 PINION



COLOUR



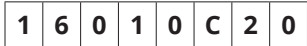
TECHNICAL PARAMETERS

- class 2 code protection
- supreme durability of the mechanism - over 100 000 cycles
- certified for use in fire-resistant woodwork
- high resistance to corrosion
- set includes three keys and a fixing screw

AVAILABLE OPTIONS

- can be delivered in one-key system
- can ship with additional keys
- can ship in different sizes and in satin nickel colour*

CERTIFICATES



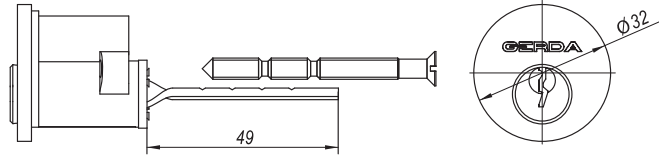
Cylinder classification acc. to standard PN-EN 1303:2007
Certificate issued by the Precision Mechanics Institute



DESCRIPTION	DIMENSIONS (mm)			EAN CODE	INDEX	NET	GROSS
	A	B	C				
WKE1 Z 30/40 pinion cylinder, brass, box	30	40	70	590762008299 5	0WKE1Z03040.98030P		
WKE1 Z 35/50 pinion cylinder, brass, box	35	50	85	590672669994 6	0WKE1Z03550.98030P		

* Special Orders only

RIM E1



COLOUR



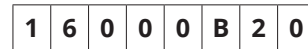
TECHNICAL PARAMETERS

- class 2 code protection
- supreme durability of the mechanism
- over 100 000 cycles
- high resistance to corrosion
- set includes three keys and a fixing screw

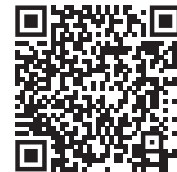
AVAILABLE OPTIONS

- can be delivered in one-key system
- can ship with additional keys

CERTIFICATES

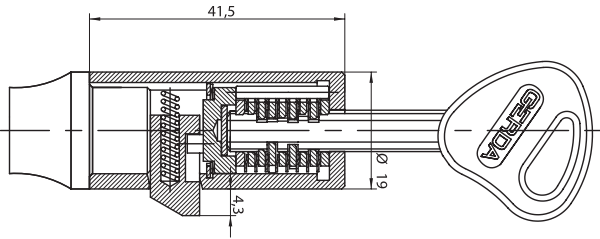


Cylinder classification acc. to standard PN-EN 1303:2007
Certificate issued by the Precision Mechanics Institute



DESCRIPTION	DIMENSIONS (mm)			EAN CODE	INDEX	NET	GROSS
	A	B	C				
RIM E1 round cylinder, satin nickel, box	-	-	-	590672660094 2	0WRE100000.90030P		
RIM E1 round cylinder, brass, box	-	-	-	590672660095 9	0WRE100000.98030P		

CL 2036



Key CL 6



Key CL 8

COLOUR



Polished CHROME

TECHNICAL PARAMETERS

- supreme security level – class 6 acc. to standard PN-EN 1303: 2015-07
- supreme durability – over 100 000 cycles
- closed body
- extendable bolt
- set includes two CL8 keys

AVAILABLE OPTIONS

- with CL8 or CL6 keys
- can be delivered in one-key system
- can be delivered with the Master Key system

USAGE

In construction and for locking garage and industrial doors, display cases, PO boxes, telephone switchboards and strongboxes used to store property, weapons and ammunition.

CERTIFICATES

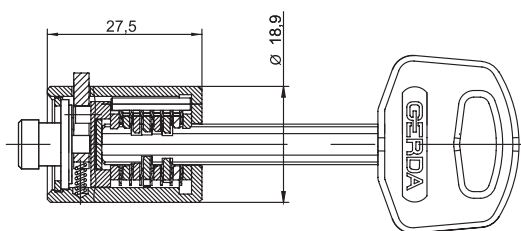


Cylinder classification acc. to standard PN-EN 1303:2015-07
Certificate issued by the Precision Mechanics Institute



DESCRIPTION	EAN CODE	INDEX	NET	GROSS
CL 2036 round cylinder with a disc mechanism, polished chrome, CL8 keys, plastic bag	590220330843 1	0WL360B0000.99830X		
CL 2036 round cylinder with a disc mechanism, polished chrome, CL6 keys, plastic bag	590220330844 8	0WL360B0000.99630X		

CL 2037

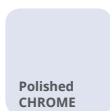


Key CL 6



Key CL 9

COLOUR



TECHNICAL PARAMETERS

- supreme security level – class 6 acc. to standard PN-EN 1303: 2015-07
- supreme durability – over 100 000 cycles
- closed body
- extendable bolt
- set includes two CL6 keys

AVAILABLE OPTIONS

- with CL6 or CL9 keys
- can be delivered in one-key system
- can be delivered with the Master Key system

USAGE

In the manufacture of gear stick locks, in the automotive industry, in cargo trailers and PO boxes and teletechnical devices.

CERTIFICATES

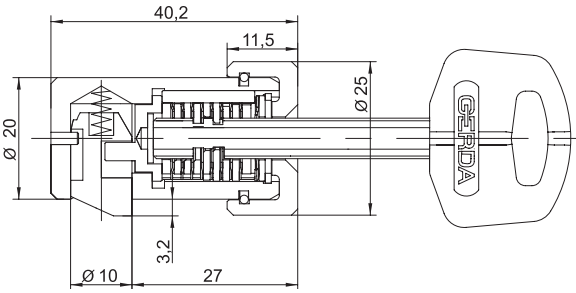


Cylinder classification acc. to standard PN-EN 1303:2015-07
Certificate issued by the Precision Mechanics Institute



DESCRIPTION	EAN CODE	INDEX	NET	GROSS
CL 2037 round cylinder with a disc mechanism, polished chrome, CL9, keys, plastic bag	590220330845 5	0WL370B0000.99930X		
CL 2037 round cylinder with a disc mechanism, polished chrome, CL6 keys, plastic bag	590220330846 2	0WL370B0000.99630X		

CL 2038



Key CL 6

COLOUR



Polished CHROME

TECHNICAL PARAMETERS

- closed body
- extendable bolt
- can be delivered with the Master Key system
- the locks can be aligned

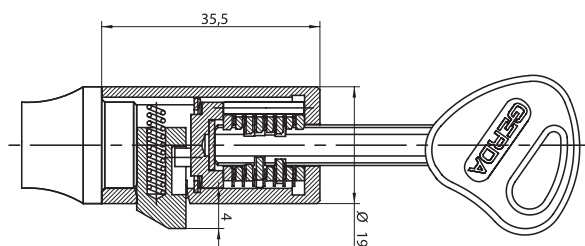
USAGE

In construction and for locking garage and industrial doors, display cases, PO boxes, telephone switch- boards and strongboxes used to store property, weapons and ammunition.



DESCRIPTION	EAN CODE	INDEX	NET	GROSS
CL 2038 round cylinder with a disc mechanism, polished chrome, CL6, keys plastic bag	590220330842 4	0WL380B0000.99630X		

CL 2040

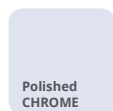


Key CL 6



Key CL 8

COLOUR



TECHNICAL PARAMETERS

- supreme security level – class 6 acc. to standard PN-EN 1303: 2015-07
- supreme durability – over 100 000 cycles
- closed body
- extendable bolt
- set includes two CL8 keys

AVAILABLE OPTIONS

- with CL8 or CL6 keys
- with 2 or 3 keys
- can be delivered in one-key system
- can be delivered with the Master Key system

USAGE

In construction and for locking garage and industrial doors, display cases, PO boxes, telephone switch- boards and strongboxes used to store property, weapons and ammunition.

CERTIFICATES

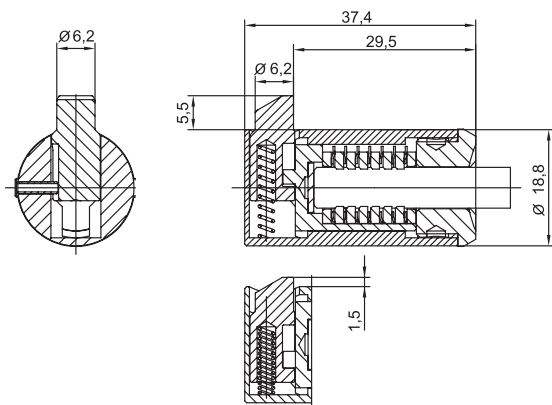


Cylinder classification acc. to standard PN-EN 1303:2015-07
Certificate issued by the Precision Mechanics Institute



DESCRIPTION	EAN CODE	INDEX	NET	GROSS
CL 2040 round cylinder with a disc mechanism, polished chrome, CL8 keys, plastic bag	590220330847 9	OWL400B0000.99830X		
CL 2040 round cylinder with a disc mechanism, polished chrome, 3 CL8 keys, plastic bag	590220330848 6	OWL400B0000.99840X		
CL 2040 round cylinder with a disc mechanism, polished chrome, CL6 keys, plastic bag	590220330849 3	OWL400B0000.99630X		

CL 2041

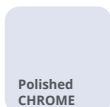


Key CL 6



Key CL 8

COLOUR



Polished
CHROME

TECHNICAL PARAMETERS

- supreme security level – class 6 acc. to standard PN-EN 1303: 2015-07
- supreme durability – over 100 000 cycles
- closed body
- extendable bolt
- set includes two CL8 keys

AVAILABLE OPTIONS

- with CL8 or CL6 keys
- with 2 or 3 keys
- can be delivered in one-key system
- can be delivered with the Master Key system

USAGE

In the manufacture of gear stick locks, in the automotive industry, in cargo trailers and PO boxes and teletechnical devices.

CERTIFICATES

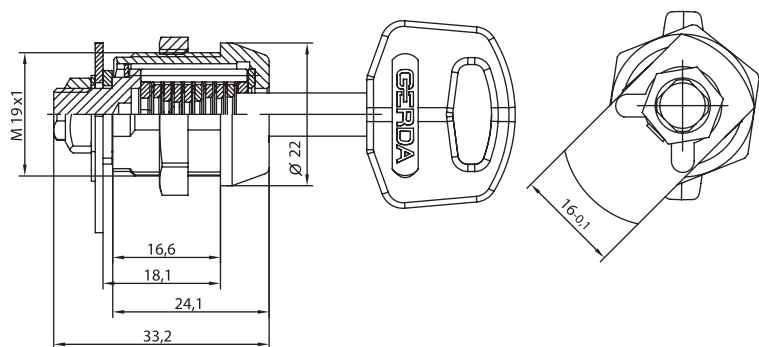


Cylinder classification acc. to standard PN-EN 1303:2015-07
Certificate issued by the Precision Mechanics Institute



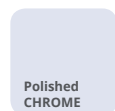
DESCRIPTION	EAN CODE	INDEX	NET	GROSS
CL 2041 round cylinder with a disc mechanism, polished chrome, CL8 keys, plastic bag	590220330850 9	0WL410B0000.99830X		
CL 2041 round cylinder with a disc mechanism, polished chrome, 3 CL8 keys, plastic bag	590220330851 6	0WL410B0000.99840X		
CL 2041 round cylinder with a disc mechanism, polished chrome, CL6 keys, plastic bag	590220330852 3	0WL410B0000.99630X		

CL 2203



Key CL 6

COLOUR



Polished
CHROME

TECHNICAL PARAMETERS

- supreme security level – class 6 acc. to standard PN-EN 1303: 2007
- supreme durability – over 100 000 cycles
- closed body with a nut and a flange
- rotating bolt (90°, 180°)
- set includes two CL6 keys

AVAILABLE OPTIONS

- can be delivered in one-key system
- can be delivered with the Master Key system

USAGE

In construction and for locking garage and industrial doors, display cases, PO boxes, telephone switch- boards and strongboxes used to store property, weapons and ammunition.

CERTIFICATES



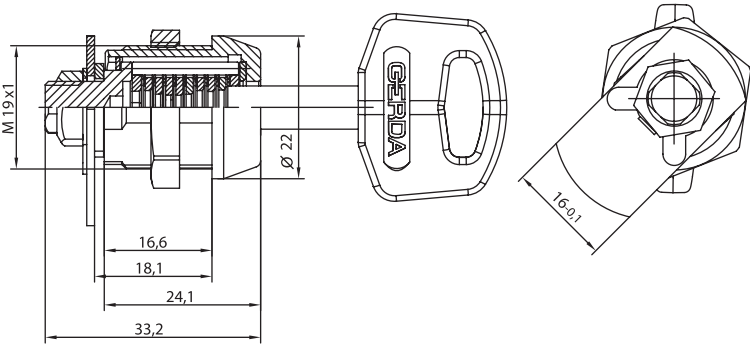
Cylinder classification acc. to standard PN-EN 1303: 2007
Certificate issued by the Precision Mechanics Institute



GERDA CLASS

DESCRIPTION	EAN CODE	INDEX	NET	GROSS
CL 2203 round cylinder with a disc mechanism, polished chrome, CL6 keys, plastic bag	590220330853 0	OWL030D0000.99630X		

CL 2204



Key CL 6

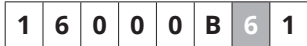
COLOUR



TECHNICAL PARAMETERS

- supreme security level – class 6 acc. to standard PN-EN 1303: 2007
- supreme durability – over 100 000 cycles
- closed body with a nut and flange
- rotating bolt (360°)
- set includes two CL6 keys

CERTIFICATES



Cylinder classification acc. to standard PN-EN 1303:2007
Certificate issued by the Precision Mechanics Institute

AVAILABLE OPTIONS

- can be delivered in one-key system
- can be delivered with the Master Key system

USAGE

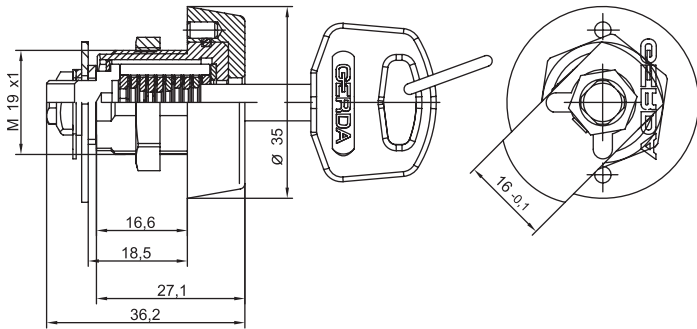
In construction and for locking garage and industrial doors, display cases, PO boxes, telephone switch- boards and strongboxes used to store property, weapons and ammunition.



GERDA CLASS

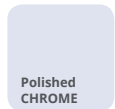
DESCRIPTION	EAN CODE	INDEX	NET	GROSS
CL 2204 round cylinder with a disc mechanism, polished chrome, CL6 keys, plastic bag	590220330854 7	0WL040D0000.99630X		

CL 2203 CX



Key CL 6

COLOUR



Polished
CHROME

TECHNICAL PARAMETERS

- supreme security level – class 6 acc. to standard PN-EN 1303: 2015-07
- supreme durability – over 100 000 cycles
- closed body with a nut and flange
- rotating bolt (90°, 180°)
- set includes two CL6 keys

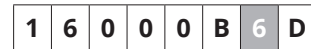
AVAILABLE OPTIONS

- can be delivered in one-key system
- can be delivered with the Master Key system

USAGE

In construction and for locking garage and industrial doors, display cases, PO boxes, telephone switchboards and strongboxes used to store property, weapons and ammunition.

CERTIFICATES



Cylinder classification acc. to standard PN-EN 1303:2015-07

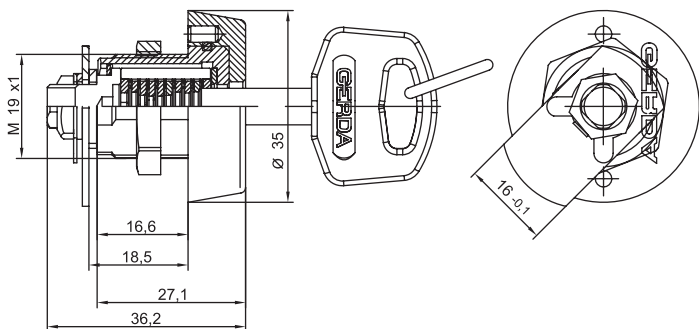
Certificate issued by the Precision Mechanics Institute



GERDA CLASS

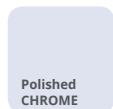
DESCRIPTION	EAN CODE	INDEX	NET	GROSS
CL 2203CX round cylinder with a disc mechanism, polished chrome, CL6 keys, plastic bag	590220330855 4	OWL030DC000.99630X		

CL 2204 CX



Key CL 6

COLOUR



Polished
CHROME

TECHNICAL PARAMETERS

- supreme security level – class 6 acc. to standard PN-EN 1303: 2015-07
- supreme durability – over 100 000 cycles
- closed body with a nut and flange
- rotating bolt (360°)
- set includes two CL6 keys

AVAILABLE OPTIONS

- can be delivered in one-key system
- can be delivered with the Master Key system

USAGE

In construction and for locking garage and industrial doors, display cases, PO boxes, telephone switchboards and strongboxes used to store property, weapons and ammunition.

CERTIFICATES



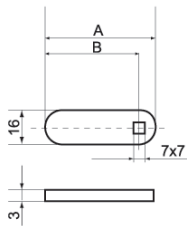
Cylinder classification acc. to standard PN-EN 1303:2015-07
Certificate issued by the Precision Mechanics Institute



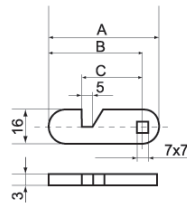
DESCRIPTION	EAN CODE	INDEX	NET	GROSS
CL 2204CX round cylinder with a disc mechanism, polished chrome, CL6 keys, plastic bag	590220330856 1	0WL040DC000.99630X		

ROTATING BOLTS FOR USE IN CL CYLINDERS

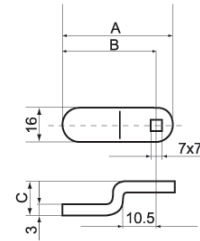
STRAIGHT BOLT



HOOKBOLT

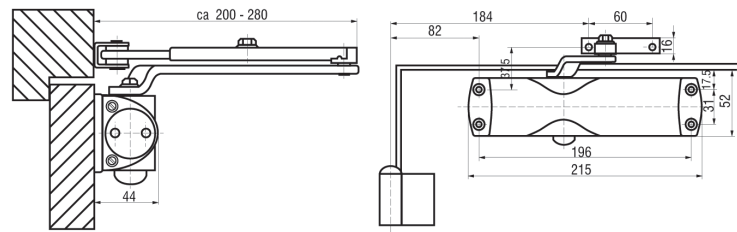


OFFSET BOLT



STRAIGHT BOLTS		DIMENSIONS (mm)			INDEX	NET	GROSS
		A	B	C			
P101	straight bolt A26,0; B18,0	galvanised silver, plastic bag	26,0	18,0	-	1247011.00000.92.00	
P102	straight bolt A30,5; B22,5	galvanised silver, plastic bag	30,5	22,5	-	1247002.00000.92.00	
P103	straight bolt A33,0; B25,0	galvanised silver, plastic bag	33,0	25,0	-	1247012.00000.92.00	
P104	straight bolt A35,0; B27,0	galvanised silver, plastic bag	35,0	27,0	-	1247004.00000.92.00	
P105	straight bolt A38,0; B30,0	galvanised silver, plastic bag	38,0	30,0	-	1247015.00000.92.00	
P106	straight bolt A40,0; B32,0	galvanised silver, plastic bag	40,0	32,0	-	1247006.00000.92.00	
P107	straight bolt A45,0; B37,0	galvanised silver, plastic bag	45,0	37,0	-	1247007.00000.92.00	
P108	straight bolt A48,0; B40,0	galvanised silver, plastic bag	48,0	40,0	-	1247008.00000.92.00	
P109	straight bolt A53,0; B45,0	galvanised silver, plastic bag	53,0	45,0	-	1247013.00000.92.00	
P110	straight bolt A58,0; B50,0	galvanised silver, plastic bag	58,0	50,0	-	1247010.00000.92.00	
P111	straight bolt A68,0; B60,0	galvanised silver, plastic bag	68,0	60,0	-	1247014.00000.92.00	
HOOKBOLTS							
H101	hookbolt A31,0; B23,0; C16,5	galvanised silver, plastic bag	31,0	23,0	16,5	1247101.00000.92.00	
H102	hookbolt A32,0; B24,0; C17,5	galvanised silver, plastic bag	32,0	24,0	17,5	1247108.00000.92.00	
H103	hookbolt A35,0; B27,0; C20,5	galvanised silver, plastic bag	35,0	27,0	20,5	1247109.00000.92.00	
H104	hookbolt A42,5; B34,5; C28,0	galvanised silver, plastic bag	42,5	34,5	28,0	1247104.00000.92.00	
H105	hookbolt A47,5; B39,5; C33,0	galvanised silver, plastic bag	47,5	39,5	33,0	1247105.00000.92.00	
H106	hookbolt A58,0; B50,0; C43,5	galvanised silver, plastic bag	58,0	50,0	43,5	1247110.00000.92.00	
H107	hookbolt A60,5; B52,5; C46,0	galvanised silver, plastic bag	60,5	52,5	46,0	1247107.00000.92.00	
OFFSET BOLTS							
O101	offset bolt A32,0; B24,0; C13,3	galvanised silver, plastic bag	32,0	24,0	13,3	1247210.00000.92.00	
O102	offset bolt A33,0; B25,0; C16,5	galvanised silver, plastic bag	33,0	25,0	16,5	1247219.00000.92.00	
O103	offset bolt A35,0; B27,0; C5,0	galvanised silver, plastic bag	35,0	27,0	5,0	1247218.00000.92.00	
O104	offset bolt A35,0; B27,0; C6,5	galvanised silver, plastic bag	35,0	27,0	6,5	1247211.00000.92.00	
O105	offset bolt A35,0; B27,0; C9,5	galvanised silver, plastic bag	35,0	27,0	9,5	1247212.00000.92.00	
O107	offset bolt A36,0; B28,0; C12,5	galvanised silver, plastic bag	36,0	28,0	12,5	1247207.00000.92.00	
O108	offset bolt A36,0; B28,0; C22,0	galvanised silver, plastic bag	36,0	28,0	22,0	1247220.00000.92.00	
O109	offset bolt A37,0; B29,0; C18,5	galvanised silver, plastic bag	37,0	29,0	18,5	1247221.00000.92.00	
O110	offset bolt A38,0; B30,0; C15,0	galvanised silver, plastic bag	38,0	30,0	15,0	1247222.00000.92.00	
O111	offset bolt A38,0; B30,0; C7,0	galvanised silver, plastic bag	38,0	30,0	7,0	1247223.00000.92.00	
O112	offset bolt A40,0; B32,0; C5,0	galvanised silver, plastic bag	40,0	32,0	5,0	1247209.00000.92.00	
O113	offset bolt A40,0; B32,0; C19,0	galvanised silver, plastic bag	40,0	32,0	19,0	1247216.00000.92.00	
O114	offset bolt A45,0; B37,0; C5,0	galvanised silver, plastic bag	45,0	37,0	5,0	1247224.00000.92.00	
O115	offset bolt A45,0; B37,0; C8,0	galvanised silver, plastic bag	45,0	37,0	8,0	1247208.00000.92.00	
O116	offset bolt A45,0; B37,0; C13,3	galvanised silver, plastic bag	45,0	37,0	13,3	1247215.00000.92.00	
O117	offset bolt A48,0; B40,0; C19,0	galvanised silver, plastic bag	48,0	40,0	19,0	1247213.00000.92.00	
O118	offset bolt A50,0; B42,0; C12,5	galvanised silver, plastic bag	50,0	42,0	12,5	1247214.00000.92.00	
O119	offset bolt A61,0; B53,0; C18,0	galvanised silver, plastic bag	61,0	53,0	18,0	1247225.00000.92.00	

GERDA GTS 1000



COLOUR



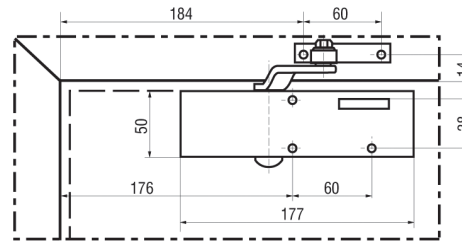
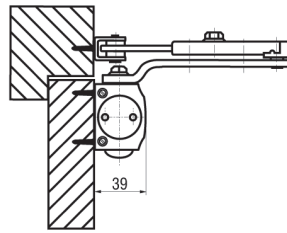
TECHNICAL PARAMETERS

- closing strength 2/3/4 acc. to standard PN-EN 1154:1996 + A1:2002 for sashes up to 1100 mm
- for use in left- or right-hand doors
- hinge-side mounted
- small dimensions
- adjustable closing speed
- adjustable closing phase
- adjustable strength
- optional hold-open
- can be installed on the door sash or door frame



DESCRIPTION	EAN CODE	INDEX	NET	GROSS
GTS 1000 door closer with a hold-open, white, box	590220330769 4	0AGT10B0000.01000P		
GTS 1000 door closer with a hold-open, brown, box	590220330770 0	0AGT10B0000.03000P		
GTS 1000 door closer with a hold-open, silver, box	590220330771 7	0AGT10B0000.13000P		
GTS 1000 door closer, white, box	590220330772 4	0AGT10S0000.01000P		
GTS 1000 door closer, brown, box	590220330773 1	0AGT10S0000.03000P		
GTS 1000 door closer, silver, box	590220330774 8	0AGT10S0000.13000P		

GERDA GTS 1500



COLOUR



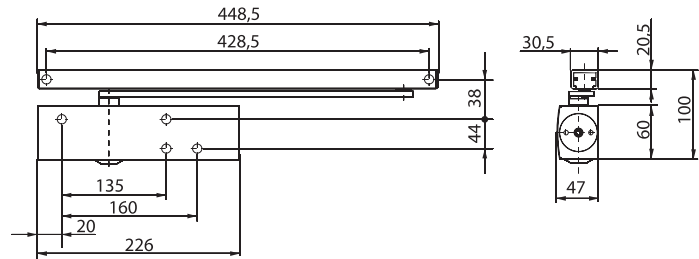
TECHNICAL PARAMETERS

- closing strength 3/4 acc. to standard PN-EN 1154:1996 + A1:2002 for sashes up to 1100 mm
- for use in left- or right-hand doors
- hinge-side mounted
- mounted on the side opposite to the hinges
- adjustable closing speed
- adjustable closing phase
- adjustable strength
- optional hold-open
- can be installed on the door sash or door frame



DESCRIPTION	EAN CODE	INDEX	NET	GROSS
GTS 1500 door closer with a hold-open, white, box	590220330775 5	0AGT15B0000.01000P		
GTS 1500 door closer with a hold-open, brown, box	590220330776 2	0AGT15B0000.03000P		
GTS 1500 door closer with a hold-open, silver, box	590220330777 9	0AGT15B0000.13000P		
GTS 1500 door closer, white, box	590220330778 6	0AGT15S0000.01000P		
GTS 1500 door closer, brown, box	590220330779 3	0AGT15S0000.03000P		
GTS 1500 door closer, silver, box	590220330780 9	0AGT15S0000.13000P		

GERDA GTS 2000



COLOUR



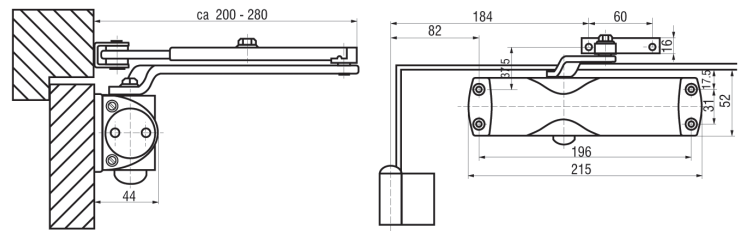
TECHNICAL PARAMETERS

- closing strength 2/4/5 acc. to standard PN-EN 1154:1996 + A1:2002 for sashes up to 1100 mm
- for use in left- or right-hand doors
- hinge-side mounted
- mounted on the side opposite to the hinges (with an additional plate)
- adjustable closing speed
- adjustable closing phase
- adjustable strength
- optional hold-open
- can be installed on the door sash or door frame



DESCRIPTION	EAN CODE	INDEX	NET	GROSS
GTS 2000 door closer with a hold-open, white, box	590220330781 6	0AGT20B0000.01000P		
GTS 2000 door closer with a hold-open, brown, box	590220330782 3	0AGT20B0000.03000P		
GTS 2000 door closer with a hold-open, silver, box	590220330783 0	0AGT20B0000.13000P		
GTS 2000 door closer, white, box	590220330784 7	0AGT20S0000.01000P		
GTS 2000 door closer, brown, box	590220330785 4	0AGT20S0000.03000P		
GTS 2000 door closer, silver, box	590220330786 1	0AGT20S0000.13000P		

GERDA GTS 3000 WITH SLIDE ARM



COLOUR



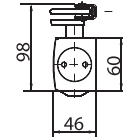
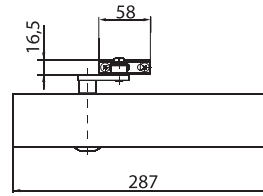
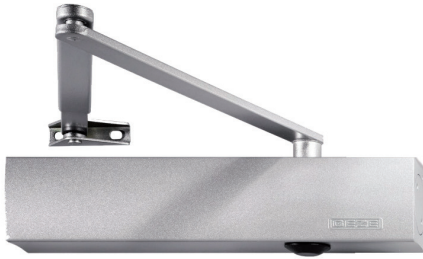
TECHNICAL PARAMETERS

- closing strength 1/2/3/4 acc. to standard PN-EN 1154:1996 + A1:2002 for sashes up to 1100 mm
- for use in left- or right-hand doors
- hinge-side mounted
- mounted on the side opposite to the hinges
- can be installed on the door sash or door frame
- small dimensions
- adjustable closing speed
- adjustable closing phase
- adjustable strength
- optional hold-open



DESCRIPTION	EAN CODE	INDEX	NET	GROSS
GTS 3000 door closer with a hold-open, white, box	590220330787 8	0AGT30B0000.01000P		
GTS 3000 door closer with a hold-open, brown, box	590220330788 5	0AGT30B0000.03000P		
GTS 3000 door closer with a hold-open, silver, box	590220330789 2	0AGT30B0000.13000P		
GTS 3000 door closer, white, box	590220330790 8	0AGT30S0000.01000P		
GTS 3000 door closer, brown, box	590220330791 5	0AGT30S0000.03000P		
GTS 3000 door closer, silver, box	590220330792 2	0AGT30S0000.13000P		

GERDA GTS 4000



COLOUR



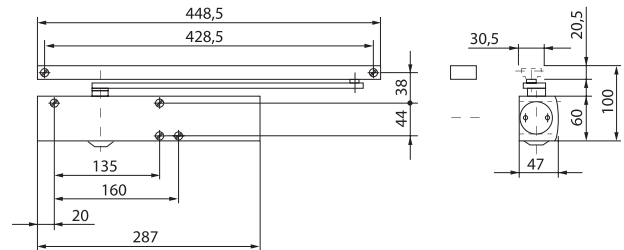
TECHNICAL PARAMETERS

- closing strength 1/2/3/4/5/6/7 acc. to standard PN-EN 1154:1996+A1:2002 for sashes up to 1600 mm
- for use in left- or right-hand doors
- hinge-side mounted
- mounted on the side opposite to the hinges
- optical closing indicator
- adjustable closing speed
- adjustable closing phase
- adjustable strength
- optional hold-open
- can be installed on the door sash or door frame



DESCRIPTION	EAN CODE	INDEX	NET	GROSS
GTS 4000 door closer with a hold-open, white, box	590220330793 9	0AGT40B0000.01000P		
GTS 4000 door closer with a hold-open, brown, box	590220330794 6	0AGT40B0000.03000P		
GTS 4000 door closer with a hold-open, silver, box	590220330795 3	0AGT40B0000.13000P		
GTS 4000 door closer, white, box	590220330796 0	0AGT40S0000.01000P		
GTS 4000 door closer, brown, box	590220330797 7	0AGT40S0000.03000P		
GTS 4000 door closer, silver, box	590220330798 4	0AGT40S0000.13000P		

GERDA GTS 5000 WITH SLIDE ARM



COLOUR



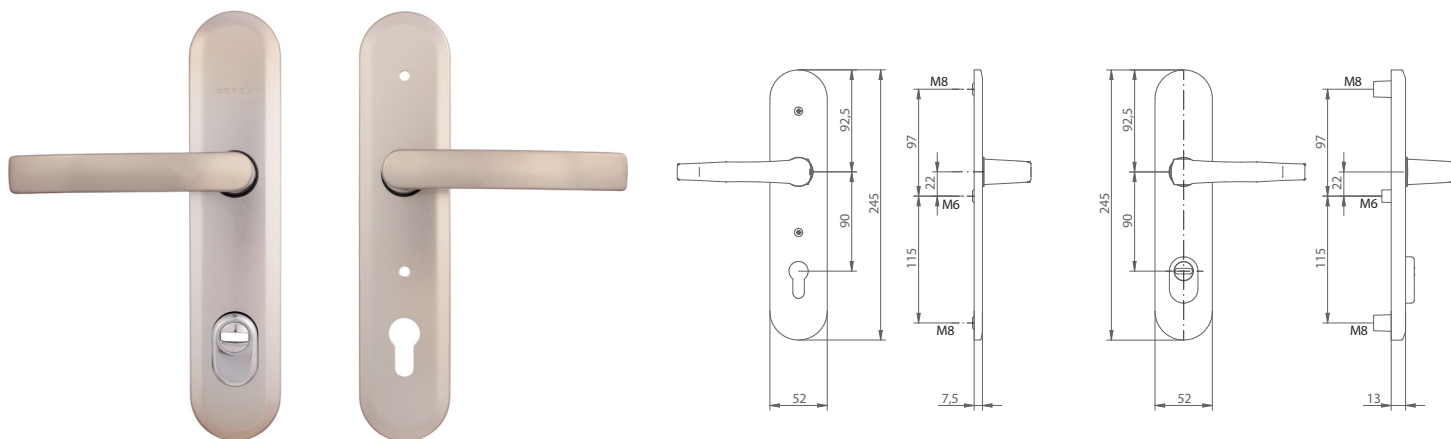
TECHNICAL PARAMETERS

- closing strength 2/3/4/5/6 acc. to standard PN-EN-1154:1996 + A1:2002 for sashes up to 1400 mm
- for use in left- or right-hand doors
- hinge-side mounted
- mounted on the side opposite to the hinges
- optical closing indicator
- adjustable closing speed
- adjustable closing phase
- adjustable strength
- optional hold-open
- can be installed on the door sash or door frame



DESCRIPTION	EAN CODE	INDEX	NET	GROSS
GTS 5000 door closer with a hold-open, white, box	590220330799 1	0AGT50B0000.01000P		
GTS 5000 door closer with a hold-open, brown, box	590220330800 4	0AGT50B0000.03000P		
GTS 5000 door closer with a hold-open, silver, box	590220330801 1	0AGT50B0000.13000P		
GTS 5000 door closer, white, box	590220330802 8	0AGT50S0000.01000P		
GTS 5000 door closer, brown, box	590220330803 5	0AGT50S0000.03000P		
GTS 5000 door closer, silver, box	590220330804 2	0AGT50S0000.13000P		

GERDA TD 1000/90 HANDLE-HANDLE BLOCK



COLOUR



TECHNICAL PARAMETERS

- internal tempered protective plates
- mounted with durable screws (outer: 2 x M8, inner: M6)
- cylinder anti-break protection
- plate protecting the cylinder from being drilled through
- door thickness: 38mm to 80mm

CERTIFICATES

2 6 - 0 1 0 4 U

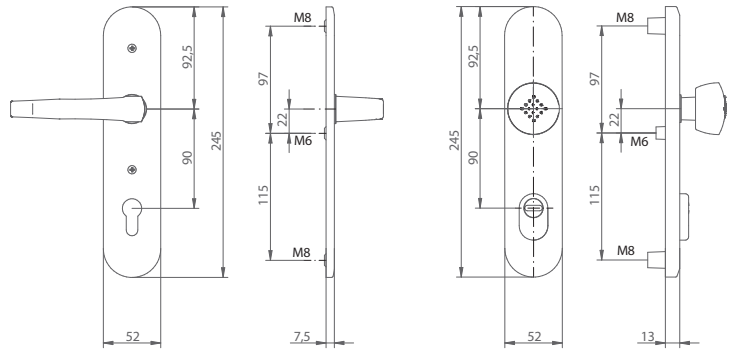
Escutcheon classification acc. to standard PN-EN 1906:2012

Certificate issued by the Precision Mechanics Institute



DESCRIPTION	EAN CODE	INDEX	NET	GROSS
GERDA TD 1000/90 A-BLOK escutcheon, handle-handle, shaft length 38-80mm, anodised platinum, handle: satin nickel, blister	590140750457 1	0ATD1K0DA90.46A10B		
GERDA TD 1000/90 A-BLOK escutcheon, handle-handle, shaft length 38-80mm, anodised platinum, blister	590140750493 9	0ATD1K0DA90.46A00B		
GERDA TD 1000/90 A-BLOK escutcheon, handle-handle, shaft length 38-80mm, anodised silver, blister	590220319587 1	0ATD1K0DA90.41A00B		
GERDA TD 1000/90 A-BLOK escutcheon, handle-handle, shaft length 38-80mm, anodised olive, blister	590220319589 5	0ATD1K0DA90.42A00B		
GERDA TD 1000/90 A-BLOK escutcheon, handle-handle, shaft length 38-80mm, anodised gold, blister	590220319591 8	0ATD1K0DA90.43A00B		

GERDA TD 1000/90 HANDLE-KNOB BLOCK



COLOUR



TECHNICAL PARAMETERS

- internal tempered protective plates
- mounted with durable screws (outer: 2x M8, inner: M6)
- cylinder anti-break protection
- plate protecting the cylinder from being drilled through
- door thickness: 38mm to 80mm

CERTIFICATES

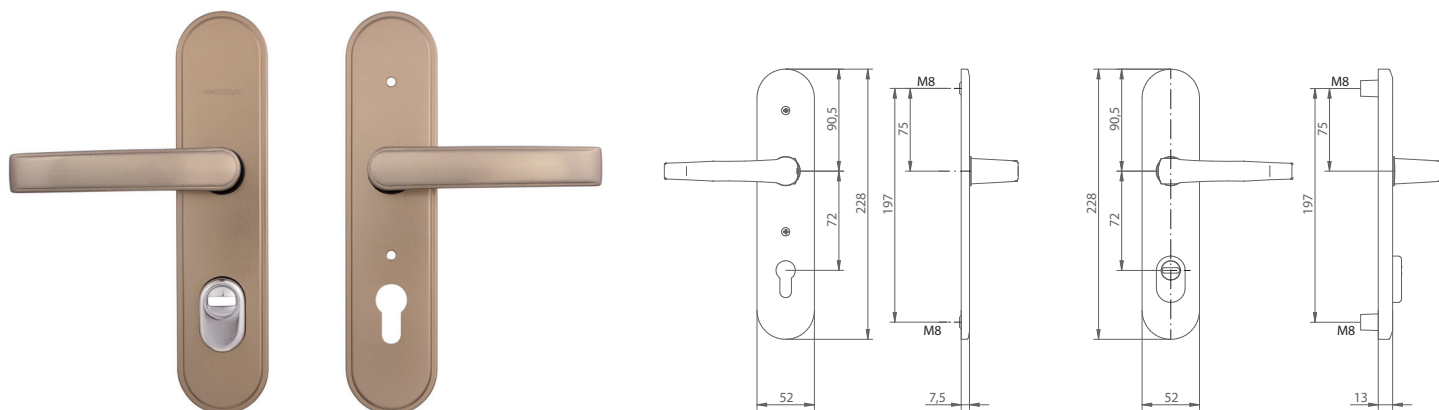
2 6 - 0 1 0 4 U

Escutcheon classification acc. to standard PN-EN 1906:2012
Certificate issued by the Precision Mechanics Institute



DESCRIPTION	EAN CODE	INDEX	NET	GROSS
GERDA TD 1000/90 A-BLOK escutcheon, knob-handle, shaft length 38-80mm, anodised silver, blister	590220330122 7	0ATD1G0DA90.41A00B		
GERDA TD 1000/90 A-BLOK escutcheon, knob-handle, shaft length 38-80mm, anodised olive, blister	590220330124 1	0ATD1G0DA90.42A00B		
GERDA TD 1000/90 A-BLOK escutcheon, knob-handle, shaft length 38-80mm, anodised gold, blister	590220330126 5	0ATD1G0DA90.43A00B		
GERDA TD 1000/90 A-BLOK escutcheon, knob-handle, shaft length 38-80mm, anodised platinum, knob: satin nickel, blister	590140750459 5	0ATD1G0DA90.46A10B		
GERDA TD 1000/90 A-BLOK escutcheon, knob-handle, shaft length 38-80mm, anodised platinum, blister	590140750491 5	0ATD1G0DA90.46A00B		

GERDA TD 1000/72 ORIENT HANDLE-HANDLE



COLOUR



TECHNICAL PARAMETERS

- internal tempered protective plates
- mounted with durable screws (2 x M8)
- cylinder anti-break protection
- plate protecting the cylinder from being drilled through
- door thickness: 38mm to 80mm

CERTIFICATES

2 6 - 0 1 0 3 U

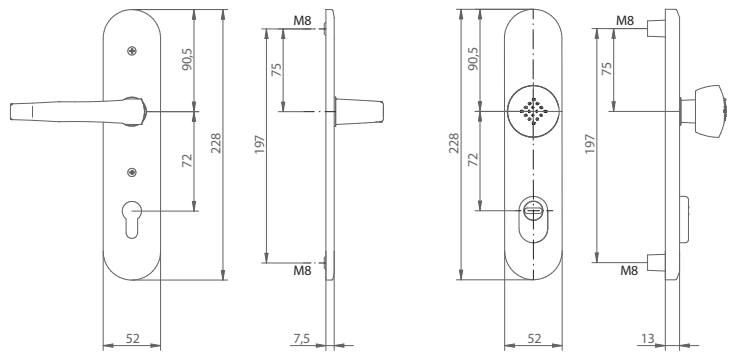
Escutcheon classification acc. to standard PN-EN 1906:2012

Certificate issued by the Precision Mechanics Institute



DESCRIPTION	EAN CODE	INDEX	NET	GROSS
GERDA TD 1000/72 B-ORIENT escutcheon, handle-handle, shaft length 38-80mm, anodised silver, blister	590220317755 6	0ATD1K0DB72.41A00B		
GERDA TD 1000/72 B-ORIENT escutcheon, handle-handle, shaft length 38-80mm, anodised olive, blister	590220317756 3	0ATD1K0DB72.42A00B		
GERDA TD 1000/72 B-ORIENT escutcheon, handle-handle, shaft length 38-80mm, anodised gold, blister	590220317757 0	0ATD1K0DB72.43A00B		
GERDA TD 1000/72 B-ORIENT escutcheon, handle-handle, shaft length 38-80mm, anodised platinum, blister	590220317758 7	0ATD1K0DB72.46A00B		

GERDA TD 1000/72 ORIENT HANDLE-KNOB



COLOUR



TECHNICAL PARAMETERS

- internal tempered protective plates
- mounted with durable screws (2 x M8)
- cylinder anti-break protection
- plate protecting the cylinder from being drilled through
- door thickness: 38mm to 80mm

CERTIFICATES

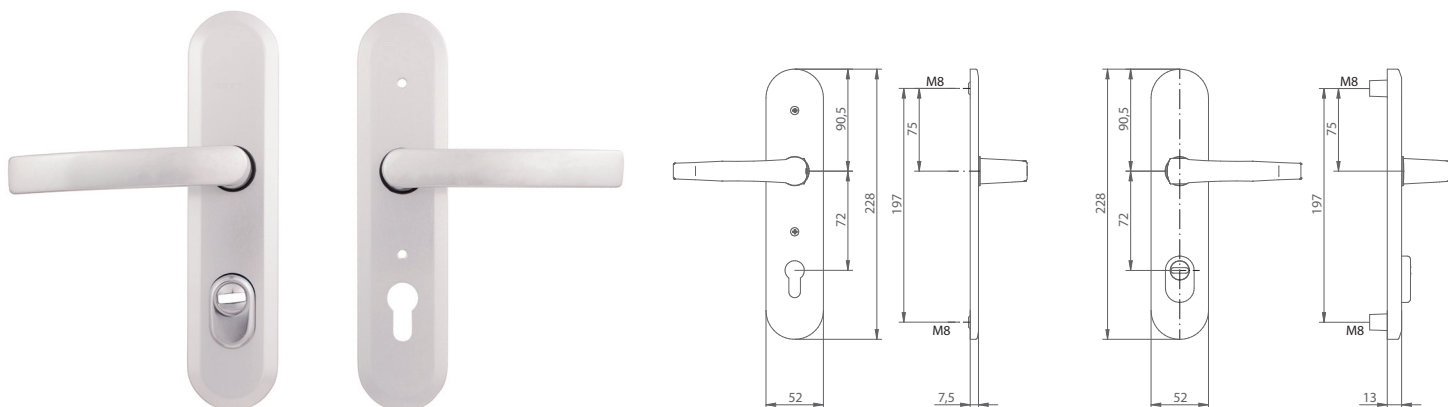
2 6 - 0 1 0 3 U

Escutcheon classification acc. to standard PN-EN 1906:2012
Certificate issued by the Precision Mechanics Institute



DESCRIPTION	EAN CODE	INDEX	NET	GROSS
GERDA TD 1000/72 B-ORIENT escutcheon, knob-handle, shaft length 38-80mm, anodised silver, blister	590220317751 8	0ATD1G0DB72.41A00B		
GERDA TD 1000/72 B-ORIENT escutcheon, knob-handle, shaft length 38-80mm, anodised olive, blister	590220317752 5	0ATD1G0DB72.42A00B		
GERDA TD 1000/72 B-ORIENT escutcheon, knob-handle, shaft length 38-80mm, anodised gold, blister	590220317753 2	0ATD1G0DB72.43A00B		
GERDA TD 1000/72 B-ORIENT escutcheon, knob-handle, shaft length 38-80mm, anodised platinum, blister	590220317754 9	0ATD1G0DB72.46A00B		

GERDA TD 1000/72 BLOK HANDLE-HANDLE



COLOUR



TECHNICAL PARAMETERS

- internal tempered protective plates
- mounted with durable screws (2 x M8)
- cylinder anti-break protection
- plate protecting the cylinder from being drilled through
- door thickness: 38mm to 80mm

CERTIFICATES

2 6 - 0 1 0 3 U

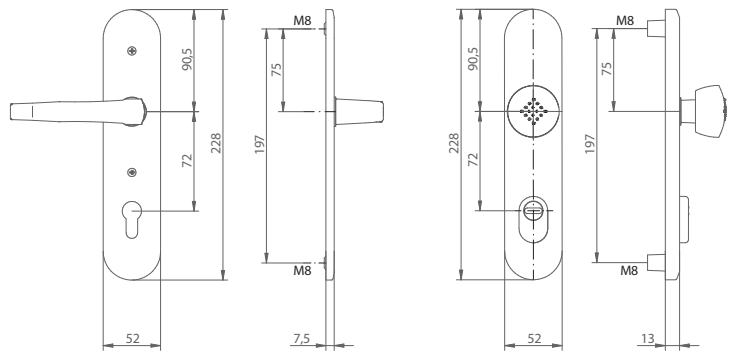
Escutcheon classification acc. to standard PN-EN 1906:2012

Certificate issued by the Precision Mechanics Institute



DESCRIPTION	EAN CODE	INDEX	NET	GROSS
GERDA TD 1000/72 A-BLOK escutcheon, handle-handle, shaft length 38-80mm, anodised silver, blister	590220317747 1	0ATD1K0DA72.41A00B		
GERDA TD 1000/72 A-BLOK escutcheon, handle-handle, shaft length 38-80mm, anodised olive, blister	590220317748 8	0ATD1K0DA72.42A00B		
GERDA TD 1000/72 A-BLOK escutcheon, handle-handle, shaft length 38-80mm, anodised gold, blister	590220317749 5	0ATD1K0DA72.43A00B		
GERDA TD 1000/72 A-BLOK escutcheon, handle-handle, shaft length 38-80mm, anodised platinum, blister	590220317750 1	0ATD1K0DA72.46A00B		

GERDA TD 1000/72 BLOK HANDLE-KNOB



COLOUR



TECHNICAL PARAMETERS

- internal tempered protective plates
- mounted with durable screws (2 x M8)
- cylinder anti-break protection
- plate protecting the cylinder from being drilled through
- door thickness: 38mm to 80mm

CERTIFICATES

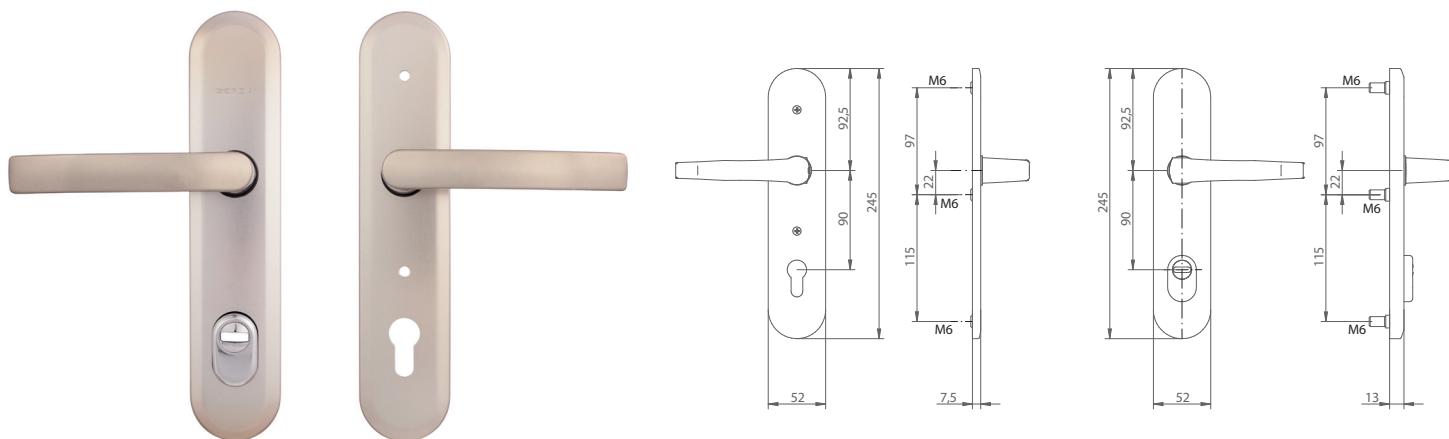
2 6 - 0 1 0 3 U

Escutcheon classification acc. to standard PN-EN 1906:2012
Certificate issued by the Precision Mechanics Institute



DESCRIPTION	EAN CODE	INDEX	NET	GROSS
GERDA TD 1000/72 A-BLOK escutcheon, knob-handle, shaft length 38-80mm, anodised silver, blister	590220317743 3	0ATD1G0DA72.41A00B		
GERDA TD 1000/72 A-BLOK escutcheon, knob-handle, shaft length 38-80mm, anodised olive, blister	590220317744 0	0ATD1G0DA72.42A00B		
GERDA TD 1000/72 A-BLOK escutcheon, knob-handle, shaft length 38-80mm, anodised gold, blister	590220317745 7	0ATD1G0DA72.43A00B		
GERDA TD 1000/72 A-BLOK escutcheon, knob-handle, shaft length 38-80mm, anodised platinum, blister	590220317746 4	0ATD1G0DA72.46A00B		

GERDA TD 200/90 BLOK HANDLE-HANDLE



COLOUR



TECHNICAL PARAMETERS

- internal tempered protective plates
- mounted with durable screws (3 x M6)
- cylinder anti-break protection
- plate protecting the cylinder from being drilled through
- door thickness: 38mm to 80mm

CERTIFICATES

2 6 0 B 0 B 2 U

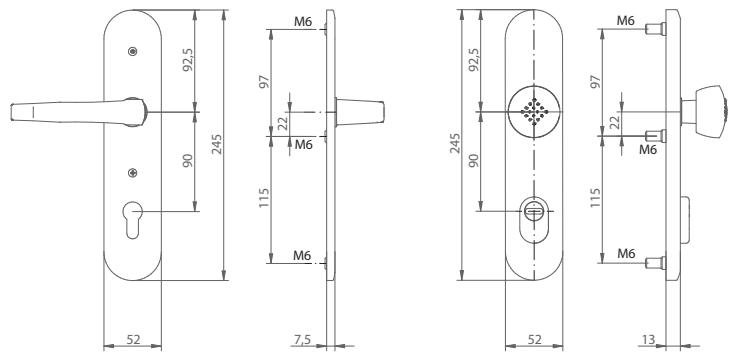
Escutcheon classification acc. to standard PN-EN 1906:2012

Certificate issued by the Precision Mechanics Institute



DESCRIPTION	EAN CODE	INDEX	NET	GROSS
GERDA TD 200/90 A-BLOK escutcheon, handle-handle, shaft length 38-80mm, anodised silver, blister	590140751448 8	0ATD2K0DA90.41A00B		
GERDA TD 200/90 A-BLOK escutcheon, handle-handle, shaft length 38-80mm, anodised olive, blister	590220330904 9	0ATD2K0DA90.42A00B		
GERDA TD 200/90 A-BLOK escutcheon, handle-handle, shaft length 38-80mm, anodised gold, blister	590220330905 6	0ATD2K0DA90.43A00B		
GERDA TD 200/90 A-BLOK escutcheon, handle-handle, shaft length 38-80mm, anodised platinum, blister	590140750497 7	0ATD2K0DA90.46A00B		
GERDA TD 200/90 A-BLOK escutcheon, handle-handle, shaft length 38-80mm, anodised platinum, handle: satin nickel, blister	590140750461 8	0ATD2K0DA90.46A10B		

GERDA TD 200/90 BLOK HANDLE-KNOB



COLOUR



TECHNICAL PARAMETERS

- internal tempered protective plates
- mounted with durable screws (3 x M6)
- cylinder anti-break protection
- plate protecting the cylinder from being drilled through
- door thickness: 38mm to 80mm

CERTIFICATES

2 6 0 B 0 B 2 U

Escutcheon classification acc. to standard PN-EN 1906:2012
Certificate issued by the Precision Mechanics Institute



DESCRIPTION	EAN CODE	INDEX	NET	GROSS
GERDA TD 200/90 A-BLOK escutcheon, knob-handle, shaft length 38-80mm, anodised silver, blister	590220330896 7	0ATD2G0DA90.41A00B		
GERDA TD 200/90 A-BLOK escutcheon, knob-handle, shaft length 38-80mm, anodised olive, blister	590220330897 4	0ATD2G0DA90.42A00B		
GERDA TD 200/90 A-BLOK escutcheon, knob-handle, shaft length 38-80mm, anodised gold, blister	590220330898 1	0ATD2G0DA90.43A00B		
GERDA TD 200/90 A-BLOK escutcheon, knob-handle, shaft length 38-80mm, platinum nickel, blister	590140750495 3	0ATD2G0DA90.46A00B		
GERDA TD 200/90 A-BLOK escutcheon, knob-handle, shaft length 38-80mm, anodised platinum, handle: satin nickel, blister	590140750460 1	0ATD2G0DA90.46A10B		

ADDITIONAL LOCK ESCUTCHEONS - BLOK FAMILY



DESCRIPTION	EAN CODE	INDEX	NET	GROSS
Szylc A-BLOK additional lock escutcheons, anodised silver, plastic bag	590337301846 5	0ATTW000A00.41A00R		
Szylc A-BLOK additional lock escutcheons, anodised olive, plastic bag	590337301847 2	0ATTW000A00.42A00R		
Szylc A-BLOK additional lock escutcheons, anodised gold, plastic bag	590337301848 9	0ATTW000A00.43A00R		
Szylc A-BLOK additional lock escutcheons, anodised platinum, plastic bag	590337301849 6	0ATTW000A00.46A00R		

ADDITIONAL LOCK ESCUTCHEONS - ORIENT FAMILY



DESCRIPTION	EAN CODE	INDEX	NET	GROSS
Szylc B-ORIENT additional lock escutcheons, anodised silver, plastic bag	590337301839 7	0ATTW000B00.41A00R		
Szylc B-ORIENT additional lock escutcheons, anodised olive, plastic bag	590337301840 3	0ATTW000B00.42A00R		
Szylc B-ORIENT additional lock escutcheons, anodised gold, plastic bag	590337301841 0	0ATTW000B00.43A00R		
Szylc B-ORIENT additional lock escutcheons, anodised platinum, plastic bag	590337301842 7	0ATTW000B00.46A00R		
Szylc B-ORIENT additional lock escutcheons, satin nickel, plastic bag	590337301844 1	0ATTW000B00.90M00R		

REGULAR BOLT 12VDC



COLOUR

GALVANISED
SILVER

TECHNICAL PARAMETERS

Classification acc. to standard PN-EN: 14846:2010
Basic direct current-powered bolt version.
Used to remotely open doors, cabinets or gates
via a cable. Powered by direct current (DC).

- power voltage: 12V DC (-/+2 V)
- current consumption: 450 mA
- operating temperature: -25°C do +55°C
- mass: 210 g



DC

DESCRIPTION	EAN CODE	INDEX	NET	GROSS
Regular electromagnetic bolt, powered by 12V DC, current consumption: 450mA, galvanised silver, box	590220317454 8	0AERPA00000.92000P		

REGULAR BOLT 12VAC



COLOUR

GALVANISED
SILVER

TECHNICAL PARAMETERS

Classification acc. to standard PN-EN: 14846:2010
Basic alternating current-powered bolt version.
Used to remotely open doors, cabinets or gates via
a cable. Powered by alternating current (AC), emits
a characteristic buzzing noise when live (50 Hz).
Enables opening tensioned doors with up to 15 kg
of load.

- power voltage: 12V AC (-/+2 V)
- current consumption: 400 mA
- operating temperature: -25°C do +55°C
- mass: 210 g



AC

DESCRIPTION	EAN CODE	INDEX	NET	GROSS
Regular electromagnetic bolt, powered by 12V AC, current consumption: 400mA, galvanised silver, box	590220317446 3	0AERZA00000.92000P		

REVERSE BOLT 12VDC



COLOUR



TECHNICAL PARAMETERS

Classification acc. to standard PN-EN: 14846:2010. The bolt's operation is reverse to the regular bolt, i.e. the bolt locks when live. Bolts of this type are used in access control devices and in locations where all doors must remain open in case of a power failure. Only this type of bolt is capable of continuous live operation.



- power voltage: 12V DC (-/+2 V)
- current consumption: 200 mA
- operating temperature: -25°C do +55°C
- mass: 210 g

DESCRIPTION	EAN CODE	INDEX	NET	GROSS
Reverse electromagnetic bolt, powered by 12V DC, current consumption: 200mA, galvanised silver, box	590220317456 2	0AERRB00000.92000P		

MEMORY BOLT 12VAC



COLOUR



TECHNICAL PARAMETERS

Classification acc. to standard PN-EN: 14846:2010. Equipped with a so-called mechanical memory, causing the bolt to be opened with a single, short impulse and to remain in the same position until the door is opened and closed again. Powered with alternating current (AC). Enables opening tensioned doors with up to 15 kg of load.



- power voltage: 12V AC (-/+2 V)
- current consumption: 650 mA
- operating temperature: -25°C do +55°C
- mass: 210 g

DESCRIPTION	EAN CODE	INDEX	NET	GROSS
Electromagnetic memory bolt, powered by 12V AC, current consumption: 650mA, galvanised silver, box	590220317448 7	0AERMA00000.92000P		

MEMORY BOLT 12VDC



COLOUR



TECHNICAL PARAMETERS

Classification acc. to standard PN-EN: 14846:2010
Equipped with a so-called mechanical memory, causing the bolt to be opened with a single, short impulse and to remain in the same position until the door is opened and closed again. In contrast to the bolt powered by alternating current, this bolt is not equipped with protruding „sensors“ and does not require a precise alignment of the door and the frame.



- the bolt is equipped with an adjustable retainer with an adjustment range of 0-4mm (*)
- power voltage: 12V DC (-/+2 V)
- current consumption: 450 mA
- current consumption: 260 mA (*)
- operating temperature: -25°C do +55°C
- mass: 210 g / mass: 170 g (*)

DESCRIPTION	EAN CODE	INDEX	NET	GROSS
Electromagnetic memory bolt, powered by 12V DC, current consumption: 450mA, galvanised silver, box	590672667052 5	0AERMB00000.92000P		
Electromagnetic adjustable low-current electromagnetic bolt, powered by 12V DC, current consumption: 260mA, current consumption, galvanised silver, box*	590220317865 2	0AERSL00000.92000P		

BOLT WITH DEACTIVATOR 12VAC



COLOUR



TECHNICAL PARAMETERS

Classification acc. to standard PN-EN: 14846:2010.
Additionally equipped with a mechanical deactivator locking the bolt mechanism. Frequently used in locations where doors/gates need to be kept open, e.g. during working hours. Powered by alternating current (AC). Enables opening tensioned doors with up to 15 kg of load.



- power voltage: 12V AC (-/+2 V)
- current consumption: 650 mA
- operating temperature: -25°C do +55°C
- mass: 210 g

DESCRIPTION	EAN CODE	INDEX	NET	GROSS
Electromagnetic bolt with deactivator, powered by 12V AC, current consumption: 650mA, galvanised silver, box	590220317450 0	0AERVA00000.92000P		

BOLT WITH DEACTIVATOR 12VDC



COLOUR



TECHNICAL PARAMETERS

Classification acc. to standard PN-EN: 14846:2010
 Additionally equipped with a mechanical deactivator locking the bolt mechanism. Frequently used in locations where doors/gates need to be kept open, e.g. during working hours.

- power voltage: 12V DC (-/+2 V)
- current consumption:: 450 mA
- operating temperature: -25°C do +55°C
- mass: 210 g



DESCRIPTION	EAN CODE	INDEX	NET	GROSS
Electromagnetic bolt with deactivator, powered by 12V DC, current consumption: 450mA, galvanised silver, box	590672667053 2	0AERVB00000.92000P		

MEMORY BOLT WITH DEACTIVATOR 12VAC



COLOUR



TECHNICAL PARAMETERS

Classification acc. to standard PN-EN: 14846:2010
 Equipped with a so-called mechanical memory, causing the bolt to be opened with a single, short impulse and to remain in the same position until the door is opened and closed again. Powered by alternating current (AC). Enables opening tensioned doors with up to 15 kg of load.

- power voltage: 12V AC (-/+2 V)
- current consumption:: 650 mA
- operating temperature: -25°C do +55°C
- mass: 210 g



DESCRIPTION	EAN CODE	INDEX	NET	GROSS
Electromagnetic memory bolt with deactivator, powered by 12V AC, current consumption: 650mA, galvanised silver, box	590220317452 4	0AERWA00000.92000P		

MEMORY BOLT WITH DEACTIVATOR 12VDC



COLOUR



TECHNICAL PARAMETERS

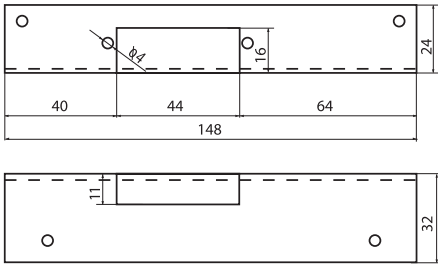
Classification acc. to standard PN-EN: 14846:2010
 Equipped with a so-called mechanical memory, causing the bolt to be opened with a single, short impulse and to remain in the same position until the door is opened and closed again. In contrast to the bolt powered by alternating current, this bolt is not equipped with protruding „sensors“ and does not require a precise alignment of the door and the frame



- power voltage: 12V DC (-/+2 V)
- current consumption: 450 mA
- operating temperature: -25°C do +55°C
- mass: 210 g

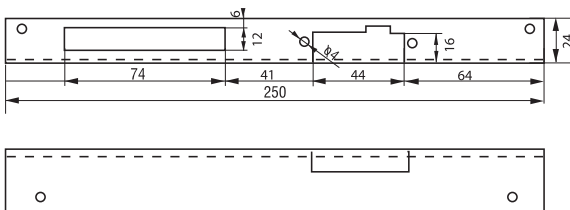
DESCRIPTION	EAN CODE	INDEX	NET	GROSS
Electromagnetic memory bolt with deactivator, powered by 12V DC, current consumption: 450mA, galvanised silver, box	590672667054 9	0AERWB00000.92000P		

SHORT ANGLE PLATE



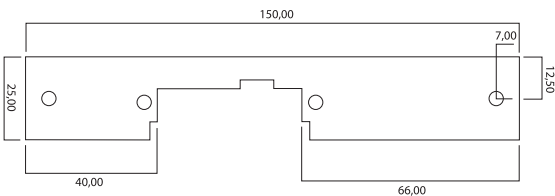
DESCRIPTION	EAN CODE	INDEX	NET	GROSS
Short universal angle plate L=148mm for use with electromagnetic bolts, steel, galvanised silver, plastic bag	590220317458 6	0AEKSOUK000.92000P		

LONG ANGLE PLATE



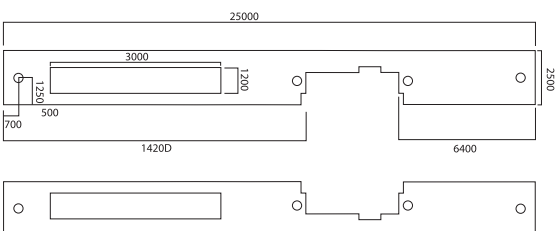
DESCRIPTION	EAN CODE	INDEX	NET	GROSS
Long left-hand angle plate L=250mm for use with electromagnetic bolts, steel, galvanised silver, plastic bag	590220317459 3	0AEKSOLD000.92000P		
Long right-hand angle plate L=250mm for use with electromagnetic bolts, steel, galvanised silver, plastic bag	590220317460 9	0AEKSOPD000.92000P		

SHORT FLAT BAR



DESCRIPTION	EAN CODE	INDEX	NET	GROSS
Universal short flat bar L=148mm for use with electromagnetic bolts, steel, galvanised silver, plastic bag	590220317461 6	0AEPS00K000.92000P		

LONG FLAT BAR



DESCRIPTION	EAN CODE	INDEX	NET	GROSS
Left-hand long flat bar L=250mm for use with electromagnetic bolts, steel, galvanised silver, plastic bag	590762000397 6	0AEPSOLD000.92000P		
Right-hand long flat bar L=250mm for use with electromagnetic bolts, steel, galvanised silver, plastic bag	590672667051 8	0AEPSOPD000.92000P		

GERDA C09 CO (CARBON MONOXIDE) INDICATOR



TECHNICAL SPECIFICATION

Gas types detected	CO (carbon monoxide)
Power voltage	3 V DC (inbuilt battery life - 5 years)
Current consumption in standby mode	<20µA
Current consumption in alarm mode	<35mA
Operating temperature range	4°C...+38°C
Permissible relative humidity	25%...85% RH
Tested alert concentration (confirmed by a certificate)	300 ppm, alarm in below 3 minutes
Alarm volume	>85dB/1m
Alarm format	Series of 3 short sounds in 0.5 second intervals, LED light indication
Sensor type	Electrochemical - service life: 5 years
Dimensions (width x height x depth)	100 x 70 x 29 mm

COLOUR



WHITE

CERTIFICATES

Classification acc.to standard PN-EN:
50291-1:2010 + A1:2012



CO



DESCRIPTION

C09 CO detector(carbon monoxide), battery powered, white, blister

EAN CODE

590140751348 1

INDEX

0MC0C09000B.01000B

NET

GROSS

CO, SMOKE AND GAS DETECTORS

GERDA C11 CO (CARBON MONOXIDE) INDICATOR



TECHNICAL SPECIFICATION

Gas types detected	CO (carbon monoxide)
Power voltage	4,5V DC (3 x 1,5V)
Current consumption in standby mode	<25µA
Current consumption in alarm mode	<50mA
Operating temperature range	0°C...+40°C
Permissible relative humidity	30%...95% RH
Tested alert concentration (confirmed by a certificate)	300 ppm*, alarm in below 3 minutes
Alarm volume	>85dB/1m
Alarm format	Series of 3 short sounds in 0.5 second intervals, LED light indication, concentration displayed on the LCD screen
Sensor type	Electrochemical - service life: 7 years
Dimensions (radius x depth)	108 x 39 mm

COLOUR



CERTIFICATES

Classification acc.to standard PN-EN:
50291-1:2010 +A1:2012



DESCRIPTION	EAN CODE	INDEX	NET	GROSS
C11 CO detector (carbon monoxide), battery powered, LCD screen, white, blister	590140751349 8	0MCO1100LB.01000B		

GERDA D06 SMOKE INDICATOR



TECHNICAL SPECIFICATION

Types of substances detected	Smoke, combustion particles
Power voltage	9V DC
Current consumption in standby mode	<10µA
Current consumption in alarm mode	<30mA
Operating temperature range	5°C...+38°C
Alarm volume	>85dB/3m
Alarm format	Series of 3 short sounds at 0.5 second intervals
Sensor type	Photoelectric - up to 10 years service life
Dimensions (radius x depth)	100 x 37 mm

COLOUR



CERTIFICATES

Classification acc.to standard PN-EN:
14604:2006/AC:2009



DESCRIPTION	EAN CODE	INDEX	NET	GROSS
D06 smoke detector; battery powered, white, blister	590140751351 1	0MC0D06000B.01000B		

GERDA G67 GAS INDICATOR



TECHNICAL SPECIFICATION

Types of substances detected	Natural gas, LPG
Power voltage	12 V DC with backup power from a 9V battery (PSU included)
Power consumption	≤ 1,5 W / 200 mA
Operating temperature range	-10°C...+50°C
Permissible relative humidity	10%...90% RH
Tested alarm concentration	≤10%LEL
Alarm volume	>85dB/1m
Alarm format	Series of short sounds at 0.5 second intervals
Sensor type	Electric - up to 5 years battery life
Dimensions (radius x depth)	107 x 40 mm

COLOUR



CERTIFICATES

Classification acc.to standard PN-EN:
60950-1+A1:2010 and Directive 2006/95/EC



DESCRIPTION	EAN CODE	INDEX	NET	GROSS
G67 gas indicator, mains power with battery backup, white, blister	590140751352 8	0MC0G67000E.01000B		

CO, SMOKE AND GAS DETECTORS

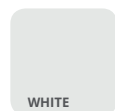
GERDA GC94 GAS AND CO (CARBON MONOXIDE) INDICATOR



TECHNICAL SPECIFICATION

Gas types detected	CO (carbon monoxide), Natural gas, LPG
Power voltage	AC 220 V ~ AC 240 V/50Hz
Operating temperature range	-10°C...+50°C
Permissible relative humidity	10%...90% RH
Tested CO concentration alarm level	300 ppm*, alarm in below 3 minutes
Tested natural gas and LPG concentration alarm level	< 10 LEL
Alarm volume	>85dB/1m
Alarm format	Series of 3 short sounds at 0.5 second intervals, LED indication
Sensor type	Electric - up to 7 years service life
Dimensions (width x height x depth)	100 x 70 x 29 mm

COLOUR



CERTIFICATES

Classification according to PN-EN:
60950-1+A1:2010 and LVD Directive 2006/95/EC



DESCRIPTION	EAN CODE	INDEX	NET	GROSS
G94 CO (carbon monoxide) and gas detector, mains power, white, blister	590140751353 5	0MC0M94000S.01000B		

GERDA HD 43



TECHNICAL SPECIFICATION

Installation opening radius	14-22 mm
Door leaf thickness range	35-100 mm
LCD TFT screen size	4,3"
Viewing angle	120°
Compatible cards (not included)	Micro SD (up to 32 GB)
Functions	Photo/video recording, night vision, doorbell
Power	Li-Io battery (2 batteries + charger included)

COLOUR



DESCRIPTION	EAN CODE	INDEX	NET	GROSS
Electronic door viewer (thickness up to 100 mm), 4,3" screen, silver	590220317498 2	0ADWE000000.41000P		

CLASSIC DOOR VIEWERS



COLOUR



DESCRIPTION	EAN CODE	INDEX	NET	GROSS
Fire-resistant door viewer, diameter 16mm, (length 35-55mm), satin nickel, blister	590220317711 2	0ADWP000000.90000B		
Door viewer diameter 14mm, (length 35-55mm) satin nickel, blister	590220317727 3	0ADWS000000.90000B		
Door viewer diameter 14mm, (length 35-55mm) brass, blister	590220317732 7	0ADWS000000.98000B		
Door viewer diameter 14mm, (length 50-80mm) satin nickel, blister	590220317729 7	0ADWSD000000.90000B		
Door viewer diameter 16mm, (length 50-85mm) satin nickel, blister	590220317731 0	0ADWSX000000.90000B		
Door viewer diameter 16 mm, (length 50-85mm) brass, blister	590220317739 6	0ADWSX000000.94000B		

GERDA® LOCK V3

Open your door using your smartphone

The latest GERDALOCK V3 is faster and stronger!

- GERDALOCK V3 locks are compatible with doors fitted with typical European profile cylinders*
- A certified GERDA PRO System cylinder, fitted to the lock, enables opening the door with a standard key
- AES-256 encrypted transmission ensures the highest level of security
- The GERDALOCK 2017 app is available on the Appstore and GooglePlay



GERDALOCK V3 locks are installed inside the apartment, on doors fitted with a standard European profile cylinder.* When installing the V3 lock, the existing cylinder is replaced with a special model of a certified GERDA PRO System cylinder.

The GERDALOCK 2017 application enables the automatic opening of the lock when you approach the door to your apartment when returning home (thanks to an additional iBeacon Estimote Proximity, compatible with the application). The application enables sending keys to other users (temporarily, at regular intervals or permanently), browse the event log, receive notifications when other users lock or unlock the lock, as well as set all parameters of the lock's operation. The lock is powered by four CR123 batteries, which last for approximately 12 months (assuming that the lock cycles 5 times per day). When the batteries are running low, the GERDALOCK 2017 application will notify the lock's administrator that they need to be replaced. The door can be opened with a regular key at any time. GERDALOCK V3 is fitted with coupling which engages only when the electric drive is in operation. Manually opening the lock using the knob from the inside or using a key from the outside is very easy, as the lock does not offer any additional resistance.

Requirements of the GERDALOCK 2017 app: iPhone 5 with iOS10 or newer operating system, as well smartphones with Android 5.0 or newer operating systems (a list of compatible operating systems is available on our webpage).

*For outswinging doors, please contact our customer service at info@gerdalock.com first.

www.gerdalock.com
www.igerda.pl
facebook.com/gerdasmartlock

GERDA®

technologie bezpieczeństwa

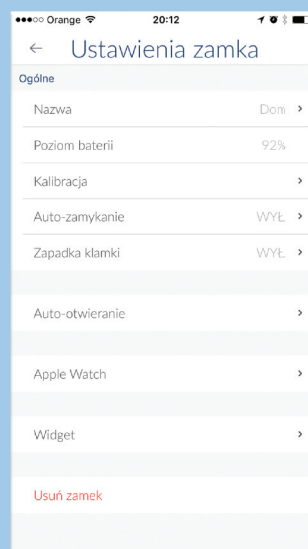
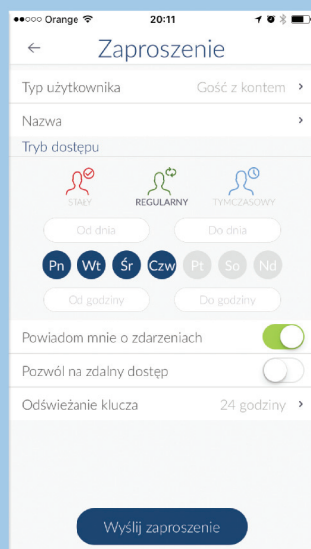
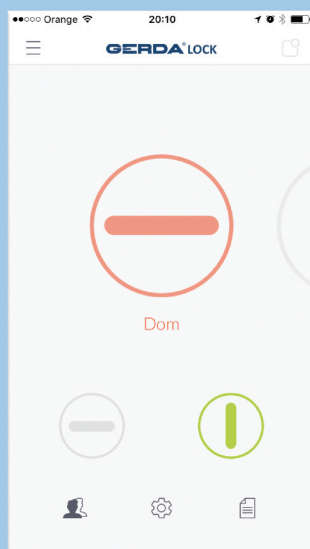
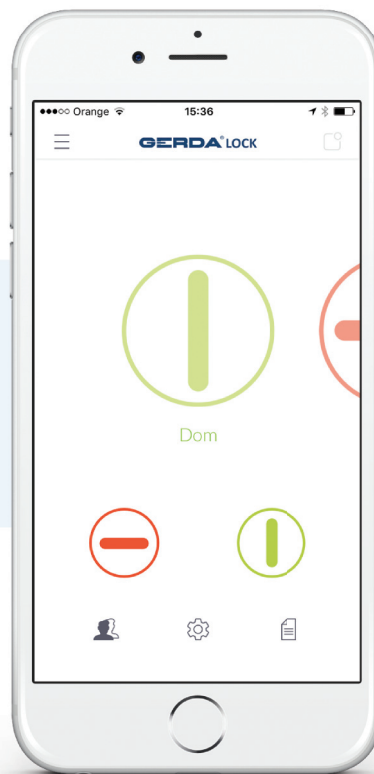
GERDA® LOCK V3

Open your door using your smartphone

- Automatic door opening without needing to take your phone out of your pocket
- Can be installed on doors with pull handles
- Safe, encrypted data transmission
- Easy and instant transfer of keys to other users
- Ability to open the lock using an Apple Watch or a Widget
- Lock opening and closing notifications and access to an event log



GERDA® LOCK 2017



GERDA LOCK PURCHASE ENQUIRIES

Please contact us by email at info@gerdalock.com



Security for the long term

www.gerda.pl

This product catalog does not constitute an offer within the meaning of the provisions of the Civil Code, nor does it provide, within the meaning of the provision of art. 4 acts from July 27, 2002 on special terms of consumer sales.

The prices given are approximate and do not determine resale prices for entities offering Gerda Sp. z o.o. Given prices do not include VAT.

The Gerda company, striving for better quality of its products and services, reserves itself (without prior notice) the right to make changes to products that may not contain this material due to the process of preparing printed materials.

Despite efforts in the field detailed control of the presented information may result in factual or printing errors. Colors presented in the catalog may differ from the original due to different technique of color reproduction in the printing process.

The owner of the copyright of this catalog and the Gerda logos and graphic elements is Gerda Sp. z o.o.

It is forbidden to copy and distribute all content and materials without the prior consent of Gerda Sp. z o.o.